

BALDOR® • RELIANCE 

Product Information Packet

1410W

5HP, 1500/1800RPM, 3PH, 50/60HZ, 3735M, GRND

| Part Detail | | | | | | | |
|-------------|---------|-------------|------------|-------------|--------|---------------|----|
| Revision: | V | Status: | PRD/A | Change #: | | Proprietary: | No |
| Type: | AC | Elec. Spec: | G4WG0036 | CD Diagram: | CD0258 | Mfg Plant: | |
| Mech. Spec: | G14-116 | Layout: | G4LY0116 | Poles: | 04 | Created Date: | |
| Base: | RG | Eff. Date: | 12-01-2016 | Leads: | 9#14 | | |

| Specs | | | |
|-------------------|---------|--|--|
| Nameplate Output: | 5 | | |
| Product Style: | GRINDER | | |

Nameplate NP3361L

| | | | |
|---------|-----------------|-------|------------|
| CAT.NO. | 1410W | | |
| HP | 5 | VOLTS | 460 |
| PHASE | 3 | AMPS | 6.8 |
| HZ | 50//60 | RPM | 1500//1800 |
| SER.NO | | | |
| SPEC. | G14-116F-0036G1 | | |
| BLANK | | | |

| Parts List | | |
|-------------|--|----------|
| Part Number | Description | Quantity |
| SA051810 | SA G14-116F-0036G1 | 1.000 EA |
| RA046645 | RA G14-116F-0036G1 | 1.000 EA |
| G4BA1000A01 | BASE, MACH | 1.000 EA |
| 19XA3812A20 | 38-12X1 1/4 HEX WSHR HD TYPE AB | 4.000 EA |
| HW1001A38 | LOCKWASHER 3/8, ZINC PLT .688 OD, .382 I | 4.000 EA |
| 85XU0407S04 | 4X1/4 U DRIVE PIN STAINLESS | 2.000 EA |
| 52XF1032G04 | S0-32 X 1/4, HX HD SR SL | 2.000 EA |
| LD5000A01 | LEAD ASSY, ML1400DF14 7" RING TRM EA END | 1.000 EA |
| HA6194A05 | BRACKET, 14" GRINDER FOR 'GE' MAGNETIC S | 1.000 EA |
| G4GS5000 | G14-23 GASKET X | 1.000 EA |
| 19XB2514A20 | 1/4-14X1-1/4 HX WS, TY B | 2.000 EA |
| HW1001A25 | LOCKWASHER 1/4, ZINC PLT .493 OD, .255 I | 2.000 EA |
| HA2025A01 | LEAD BUSHING | 1.000 EA |
| RM1006A01 | GROMMET,#2196:.75ID,.9375GROOVE DIA,.062 | 1.000 EA |
| 52XN1032A04 | 10-32X1/4 HX HD SLTD SER X | 3.000 EA |
| 52XN1032A08 | SCREW, SER HX SLT HD, ZN X | 1.000 EA |
| XY1032A02 | 10-32 HEX NUT DIRECTIONAL SERRATION | 2.000 EA |
| 36CB4516 | 36 LIPPED CB LID - GALVANNEAL | 1.000 EA |
| 37GS1001SP | GASKET, CONDUIT BOX LID, .06 THICK LEXID | 1.000 EA |
| 51XW0832A07 | 8-32 X .44, TAPTITE II, HEX WSHR SLTD SE | 4.000 EA |
| G4EP1900A01 | ENDPLATE, MACH | 2.000 EA |
| HW5100A11 | W3917-042 WVY WSHR (WB) | 2.000 EA |
| HA3104A14 | THRUBOLT- 5/16-18 X12.125(OHIO) | 4.000 EA |
| HW1001A31 | LOCKWASHER 5/16, ZINC PLT.591 OD, .319 I | 4.000 EA |

| Parts List (continued) | | |
|------------------------|--|----------|
| Part Number | Description | Quantity |
| XY3118A12 | 5/16-18 HEX NUT DIRECTIONAL SERRATION | 4.000 EA |
| G4FH1801A01 | L.H. GRINDER GUARD, MACH | 1.000 EA |
| 10XN3816A20 | 3/8-16X1 1/4 HEX HD CAP | 4.000 EA |
| HW1001A38 | LOCKWASHER 3/8, ZINC PLT .688 OD, .382 I | 4.000 EA |
| G4FH1800A01 | R.H. GRINDER GUARD, MACH | 1.000 EA |
| 10XN3816A20 | 3/8-16X1 1/4 HEX HD CAP | 4.000 EA |
| HW1001A38 | LOCKWASHER 3/8, ZINC PLT .688 OD, .382 I | 4.000 EA |
| G2AP1002A01SP | TOOL REST, MACH (G) MACHINED 6 ON | 1.000 EA |
| HA6049A01SP | SUPPORT, TOOL REST, MACH | 1.000 EA |
| 10XN4420A24 | 7/16-20X1 1/2 HEX HD SCR | 3.000 EA |
| HW1000A44 | WASHER, 7/16 FLAT, ZN | 3.000 EA |
| HW1001A44 | WASHER,7/16 SPLT LK, ZN | 3.000 EA |
| G2AP1002A01SP | TOOL REST, MACH (G) MACHINED 6 ON | 1.000 EA |
| HA6049A01SP | SUPPORT, TOOL REST, MACH | 1.000 EA |
| 10XN4420A24 | 7/16-20X1 1/2 HEX HD SCR | 3.000 EA |
| HW1000A44 | WASHER, 7/16 FLAT, ZN | 3.000 EA |
| HW1001A44 | WASHER,7/16 SPLT LK, ZN | 3.000 EA |
| G4FH1803A01 | L.H. GRINDER GUARD COVER, MACH | 1.000 EA |
| 10XN3816A20 | 3/8-16X1 1/4 HEX HD CAP | 4.000 EA |
| HW1001A38 | LOCKWASHER 3/8, ZINC PLT .688 OD, .382 I | 4.000 EA |
| G4FH1802A01 | R.H. GRINDER GUARD COVER, MACH | 1.000 EA |
| 10XN3816A20 | 3/8-16X1 1/4 HEX HD CAP | 4.000 EA |
| HW1001A38 | LOCKWASHER 3/8, ZINC PLT .688 OD, .382 I | 4.000 EA |
| HA6051 | FLANGE, WHEEL, CAST | 4.000 EA |

Product Information Packet: 1410W - 5HP,1500/1800RPM,3PH,50/60HZ,3735M,GRND

| | | |
|-------------|--|----------|
| HW3022J06 | 1/4X.625 ROLLED SPR PIN | 2.000 EA |
| XZ2007A62SP | 1 1/4-7 NUT LH HEX (NC) | 1.000 EA |
| XZ2007A12SP | 1 1/4-7 NUT RH HX(NC)(F/S | 1.000 EA |
| G2AP1001ZP | SPARK BREAKER FOR 12" GRINDER GUARD | 1.000 EA |
| 10XN3816A16 | 3/8-16 X 1 HEX HD CAP SCREW | 2.000 EA |
| HW1000A38 | WASHER, 3/8" FLAT, SAE Z/P | 2.000 EA |
| HW1001A38 | LOCKWASHER 3/8, ZINC PLT .688 OD, .382 I | 2.000 EA |
| G2AP1001ZP | SPARK BREAKER FOR 12" GRINDER GUARD | 1.000 EA |
| 10XN3816A16 | 3/8-16 X 1 HEX HD CAP SCREW | 2.000 EA |
| HW1000A38 | WASHER, 3/8" FLAT, SAE Z/P | 2.000 EA |
| HW1001A38 | LOCKWASHER 3/8, ZINC PLT .688 OD, .382 I | 2.000 EA |
| MJ1000A02 | GREASE, MOBIL POLYREX EM - 124047 | 0.050 LB |
| HA1000A59 | .020 BEARING GUARD 3.931 OD | 2.000 EA |
| GA9 | EYESHIELD ASSY | 1.000 EA |
| MG1000G01 | MUNSELL 5.93PB 3.81/ 2.71 | 0.017 GA |
| LB1009N | LABEL,ROTATION DIRECTION (ON ROLLS) | 1.000 EA |
| LB1031 | LABEL, WARNING X | 1.000 EA |
| LB1112 | LABEL GRDR STARTER BOX GR | 1.000 EA |
| LB5010 | TAG, CAUTION PRINT SHOP | 1.000 EA |
| MN909 | EYESHIELD MTG INSTR. FOR GA9, GA10 & GA1 | 1.000 EA |
| CN1900A04 | MAGNETIC STARTER 'GE CR306B10400AAA | 1.000 EA |
| CN2006778A | HEATER, 'GE' NO. CR123C778A (FOR 'GE' ST | 3.000 EA |
| LB1119N | WARNING LABEL | 1.000 EA |
| NP3361L | ALUM NP FOR 8" UTILITY GRINDERS-BUFFERS | 1.000 EA |
| G4PA1000 | PACKAGING GROUP | 1.000 EA |
| MN903 | INSTR MANUAL FOR GRINDERS 9/03 | 1.000 EA |

| Accessories | | |
|--------------------|---------------------------------------|-------------------|
| Part Number | Description | Multiplier |
| GA20 | PEDESTAL INDUSTRIAL, CAST IRON 8"-14" | A8 |
| GA9 | PAIR LIGHTED EYESHIELDS | A8 |
| GA9-1 | SINGLE LIGHTED EYESHIELD | A8 |
| GA9S | PAIR EYESHIELDS W/ ON-OFF SWITCH | A8 |
| GA11 | PAIR EYESHIELDS | A8 |
| B147 | 14" 30 GRIT GRINDING WHEEL | A8 |
| B148 | 14" 46 GRIT GRINDING WHEEL | A8 |
| DC14-3 | DUST CONTROL FOR 14 IN GRINDER | A8 |

AC Induction Motor Performance Data

Record # 23658 - Preliminary Data Sheet

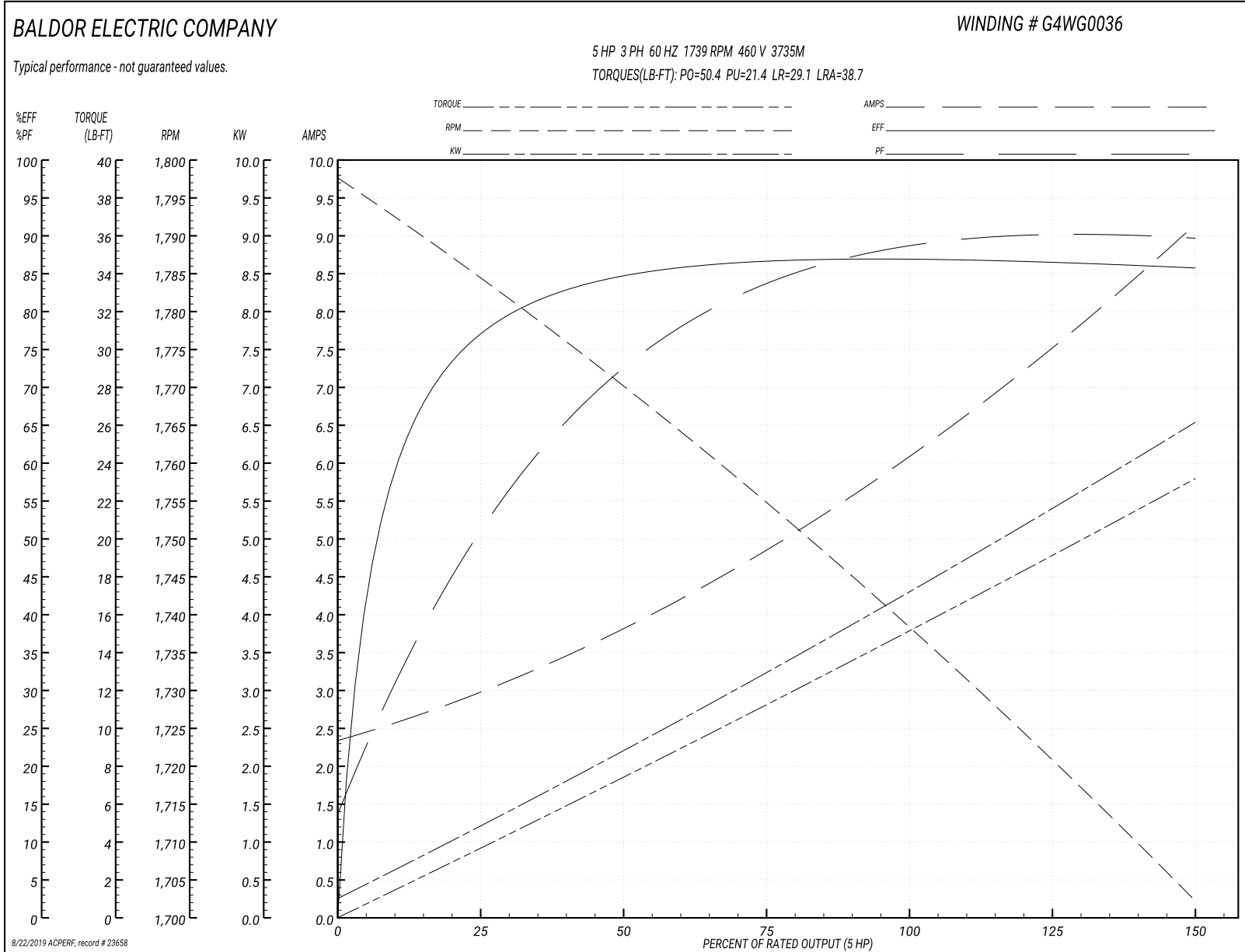
| | | |
|-------------------------------|--------------------|------------------------|
| Winding: G4WG0036-R001 | Type: 3735M | Enclosure: TENV |
|-------------------------------|--------------------|------------------------|

| Nameplate Data | | | | 460 V, 60 Hz: High Voltage Connection | |
|-----------------------|---------------------|--------------|---|--|-------------------------|
| Rated Output (HP) | 5 | | | Full Load Torque | 15.1 LB-FT |
| Volts | 208-230/460 | | | Start Configuration | direct on line |
| Full Load Amps | 15-13.6/6.8//15/6.8 | | | Breakdown Torque | 50.4 LB-FT |
| R.P.M. | 1500//1800 | | | Pull-up Torque | 21.4 LB-FT |
| Hz | 50//60 | Phase | 3 | Locked-rotor Torque | 29.1 LB-FT |
| NEMA Design Code | B | KVA Code | H | Starting Current | 38.7 A |
| Service Factor (S.F.) | 1 | | | No-load Current | 2.43 A |
| NEMA Nom. Eff. | 0 | Power Factor | 0 | Line-line Res. @ 25°C | 2.24 Ω |
| Rating - Duty | 40C AMB-CONT | | | Temp. Rise @ Rated Load | |
| | | | | Locked-rotor Power Factor | 40 |
| | | | | Rotor inertia | 0.74 LB-FT ² |

Load Characteristics 460 V, 60 Hz, 5 HP

| % of Rated Load | 25 | 50 | 75 | 100 | 125 | 150 |
|-----------------|------|------|------|------|------|------|
| Power Factor | 53 | 74 | 83 | 87 | 90 | 90 |
| Efficiency | 76.9 | 84.7 | 86.7 | 87.1 | 86.5 | 85.5 |
| Speed | 1784 | 1770 | 1755 | 1739 | 1721 | 1702 |
| Line amperes | 2.87 | 3.74 | 4.87 | 6.15 | 7.56 | 9.09 |

Performance Graph at 460V, 60Hz, 5.0HP Typical performance - Not guaranteed values



AC Induction Motor Performance Data
Record # 23659 - Preliminary Data Sheet

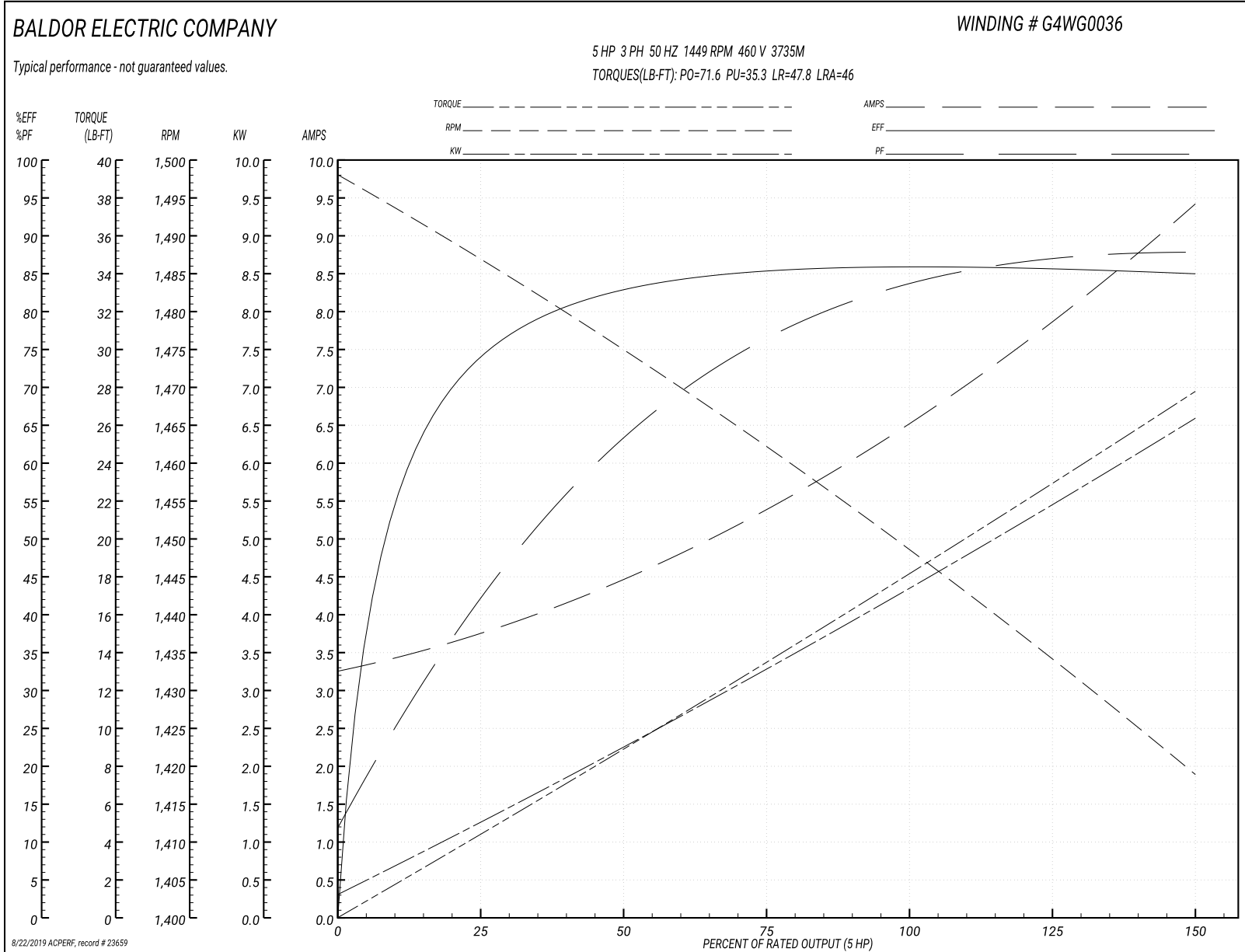
| | | |
|-------------------------------|--------------------|------------------------|
| Winding: G4WG0036-R001 | Type: 3735M | Enclosure: TENV |
|-------------------------------|--------------------|------------------------|

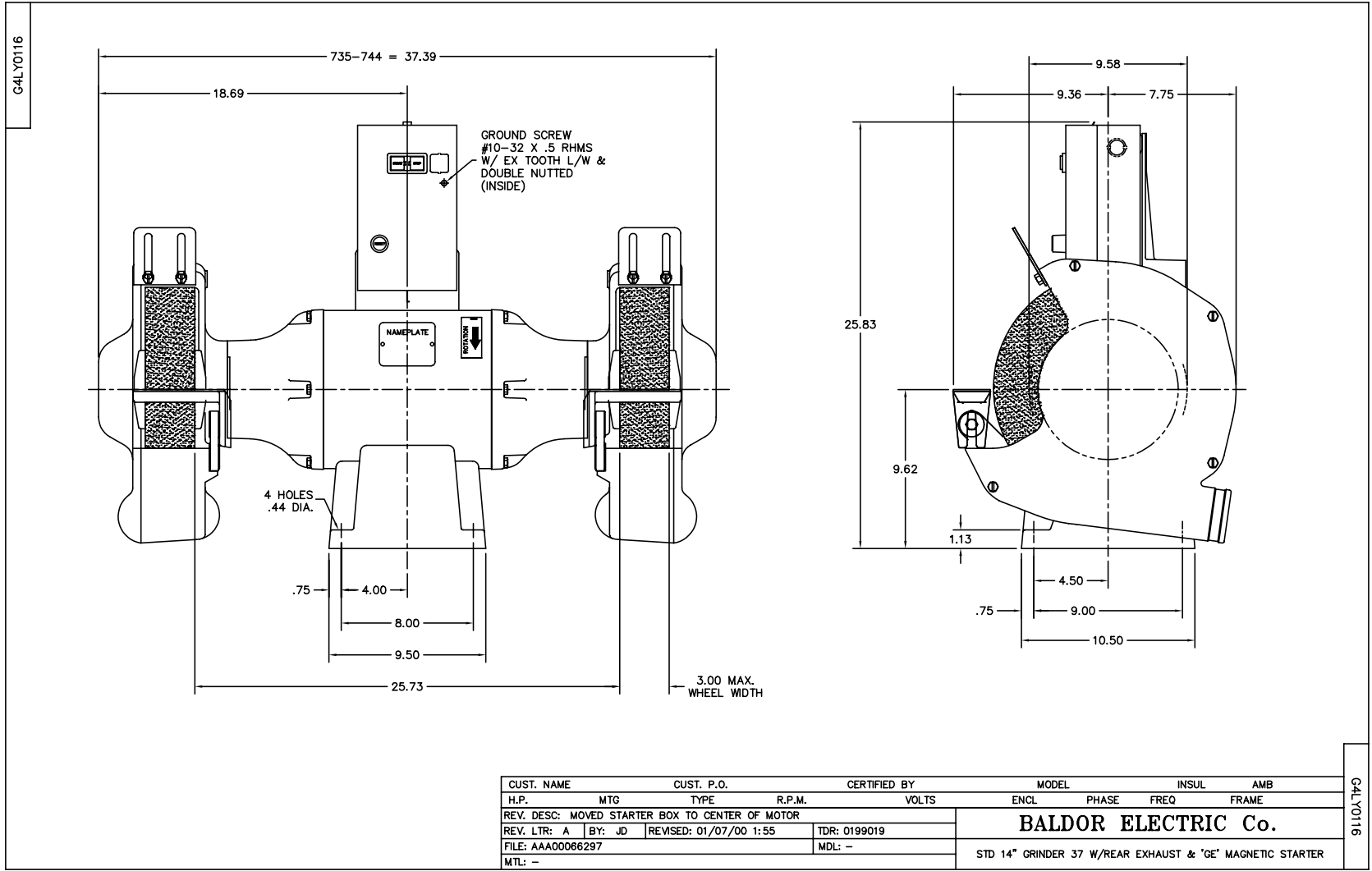
| Nameplate Data | | | | 460 V, 50 Hz: High Voltage Connection | |
|-----------------------|---------------------|--------------|---|--|-------------------------|
| Rated Output (HP) | 5 | | | Full Load Torque | 18.1 LB-FT |
| Volts | 208-230/460 | | | Start Configuration | direct on line |
| Full Load Amps | 15-13.6/6.8//15/6.8 | | | Breakdown Torque | 71.6 LB-FT |
| R.P.M. | 1500//1800 | | | Pull-up Torque | 35.3 LB-FT |
| Hz | 50//60 | Phase | 3 | Locked-rotor Torque | 47.8 LB-FT |
| NEMA Design Code | B | KVA Code | H | Starting Current | 46 A |
| Service Factor (S.F.) | 1 | | | No-load Current | 3.33 A |
| NEMA Nom. Eff. | 0 | Power Factor | 0 | Line-line Res. @ 25°C | 2.24 Ω |
| Rating - Duty | 40C AMB-CONT | | | Temp. Rise @ Rated Load | |
| | | | | Locked-rotor Power Factor | 47 |
| | | | | Rotor inertia | 0.74 LB-FT ² |

Load Characteristics 460 V, 50 Hz, 5 HP

| % of Rated Load | 25 | 50 | 75 | 100 | 125 | 150 |
|-----------------|------|------|------|------|------|------|
| Power Factor | 43 | 64 | 76 | 83 | 86 | 88 |
| Efficiency | 73.7 | 82.7 | 85.4 | 86 | 85.7 | 84.9 |
| Speed | 1487 | 1475 | 1462 | 1449 | 1434 | 1419 |
| Line amperes | 3.67 | 4.4 | 5.4 | 6.58 | 7.91 | 9.36 |

Performance Graph at 460V, 50Hz, 5.0HP Typical performance - Not guaranteed values





G4LY0116

G4LY0116

