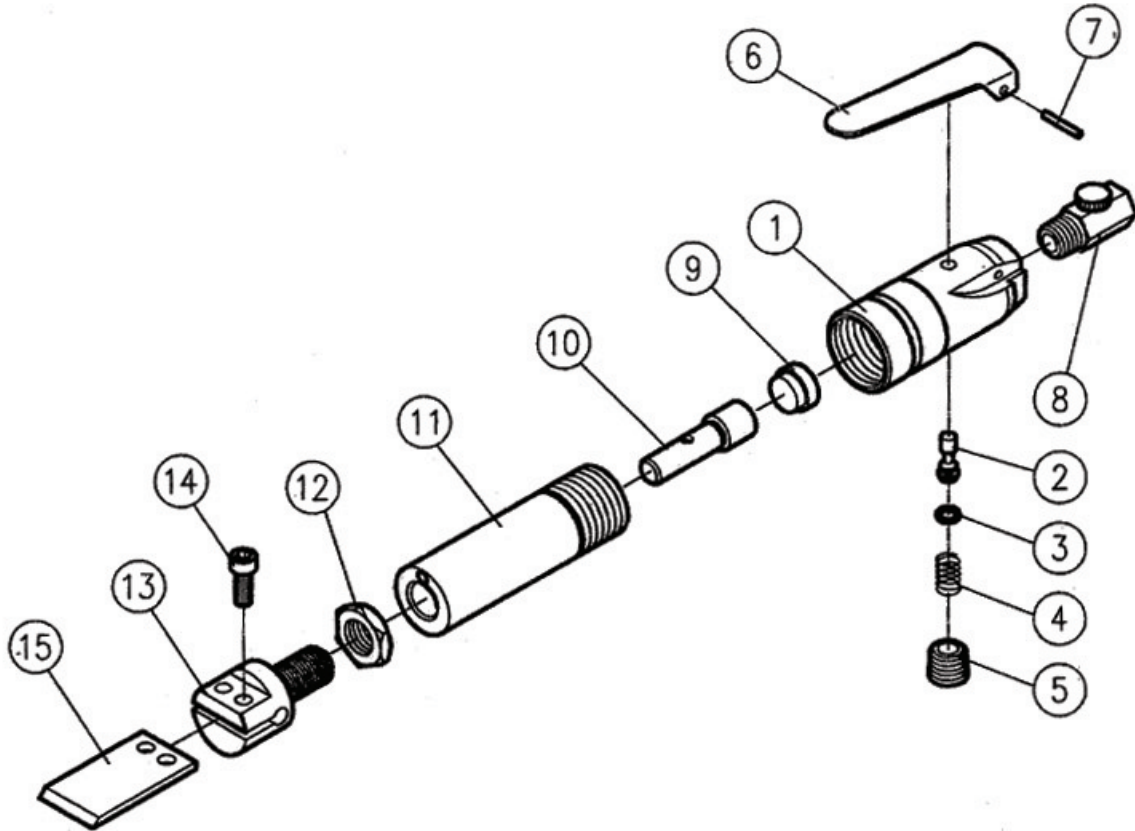


AIR SCRAPER KIT 1750K



Ref. No.	Description	Q'ty	Ref. No.	Description	Q'ty
1	Handle	1	9	Upper Valve	1
2	Valve Stem	1	10	Piston	1
3	Valve O-Ring	1	11	Cylinder	1
4	Valve Spring	1	12	Lock Nut	1
5	Plug Screw	1	13	Blade Holder	1
6	Trigger	1	14	Blade Lock Screw	2
7	Roll Pin	1	15	Gasket Scraper Blade	1
8	Regulator	1			