

SH. 1  
OF 1

CAT NO

196A5Z

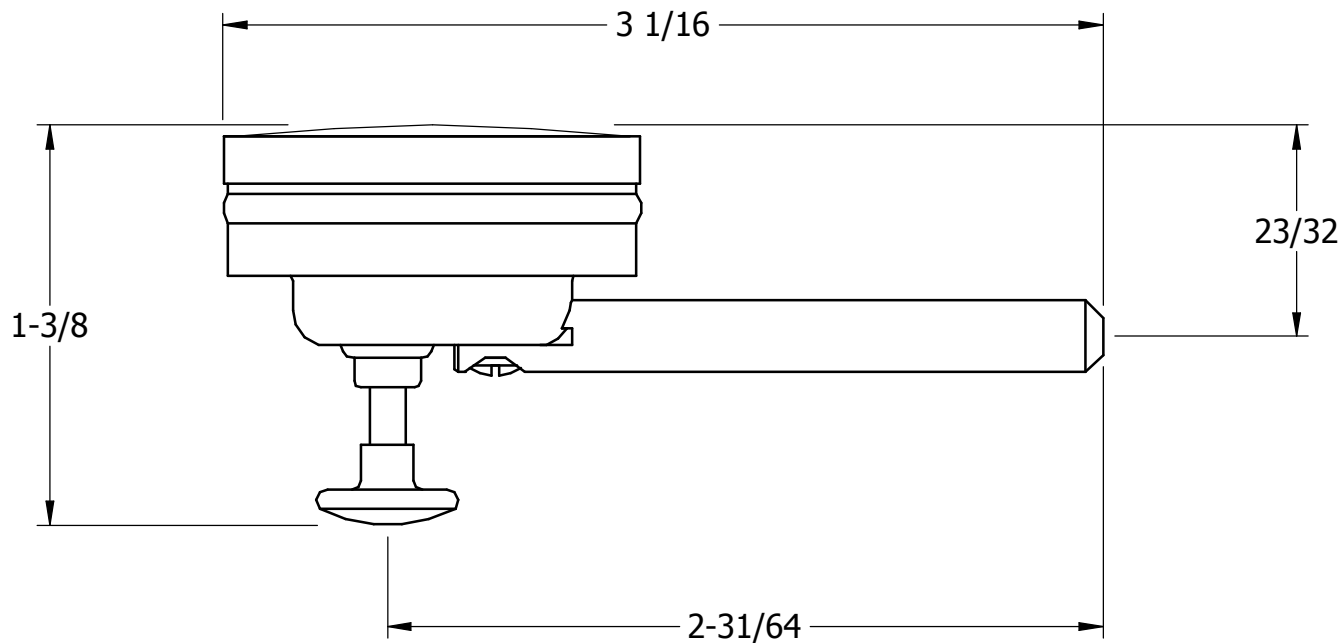
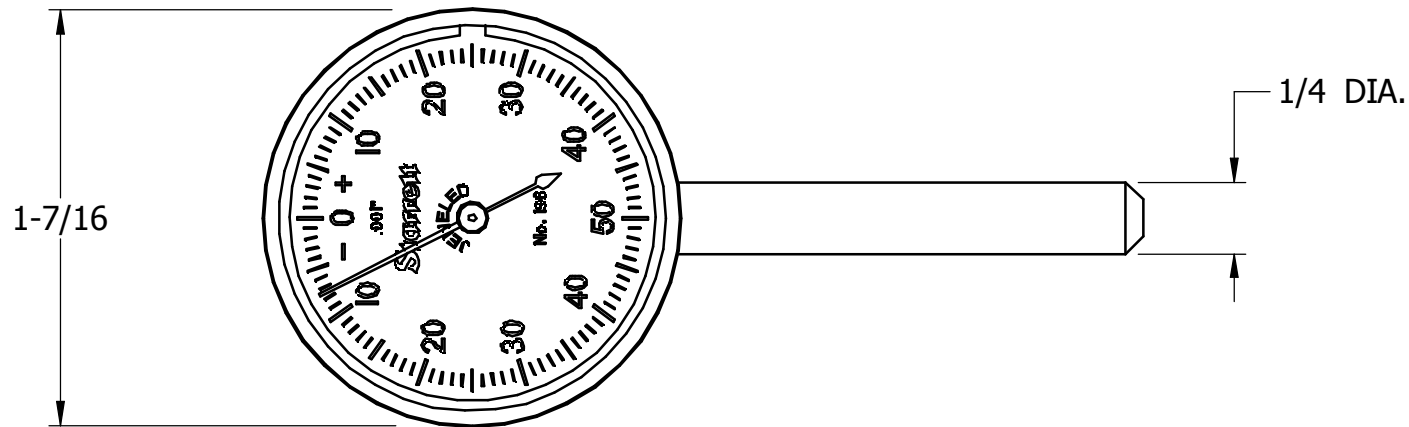
CUSTOMER DIMENSIONS

DO NOT  
SEPARATE  
PRINT FROM  
WORK

LOT NO

OPER

TOOLS



REV	DESCRIPTION	DATE	BY
DR	HB	CHK	DATE

DIAL INDICATOR  
ASSEMBLY

THE L.S. STARRETT CO.  
ATHOL, MASS.

FRACTIONAL TOLERANCE +- 1/64 UNLESS OTHERWISE NOTED