

SH. 1
OF 1

CAT NO

196B1

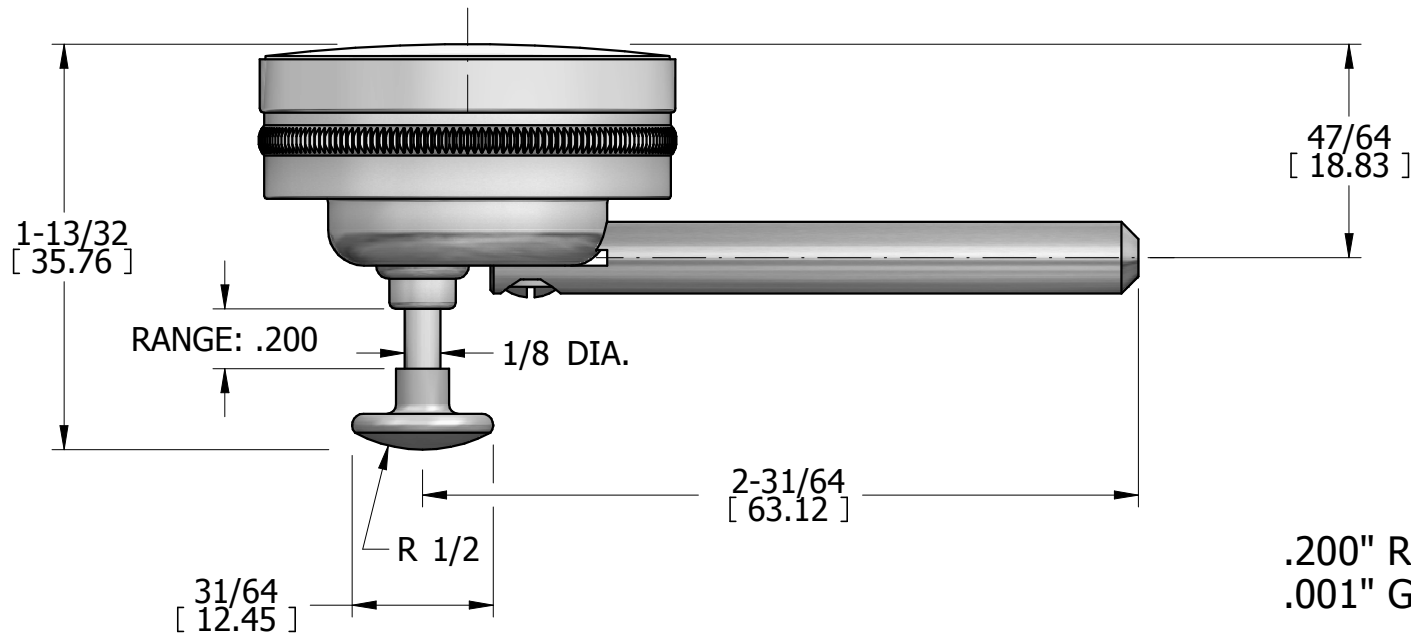
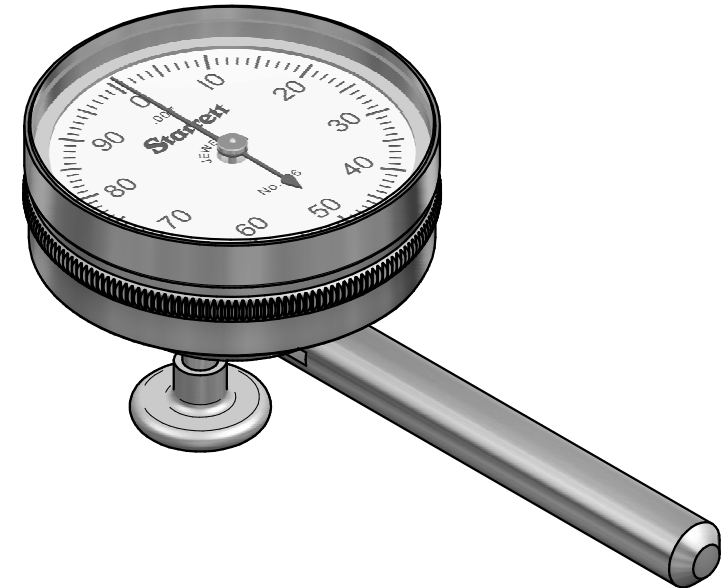
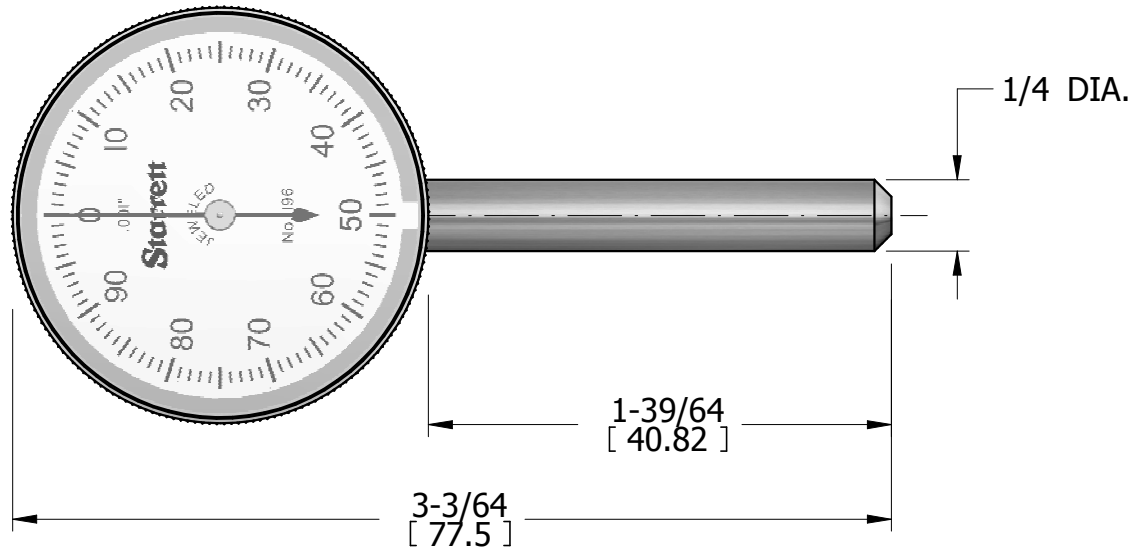
CUSTOMER DIMENSIONS

DO NOT
SEPARATE
PRINT FROM
WORK

LOT NO

OPER

TOOLS



.200" RANGE
.001" GRADUATIONS

REV	DESCRIPTION	DATE	BY
-----	-------------	------	----

DR	HB	CHK	DATE
----	----	-----	------

DIAL TEST
INDICATOR
0-100 DIAL

TOLERANCES - UNLESS
OTHERWISE SPECIFIED

1 PLACE DEC. or REF. : +/- .015" --- 0.4 mm
2 PLACE DEC. : +/- .010" --- 0.25 mm

3 PLACE DEC. : +/- .003" --- 0.08 mm
4 PLACE DEC. : +/- .0005" --- 0.01 mm

FRACTIONAL: +/- 1/64"
ANGULAR: +/- 1 DEGREE

THE L.S. STARRETT CO.
ATHOL, MASS.