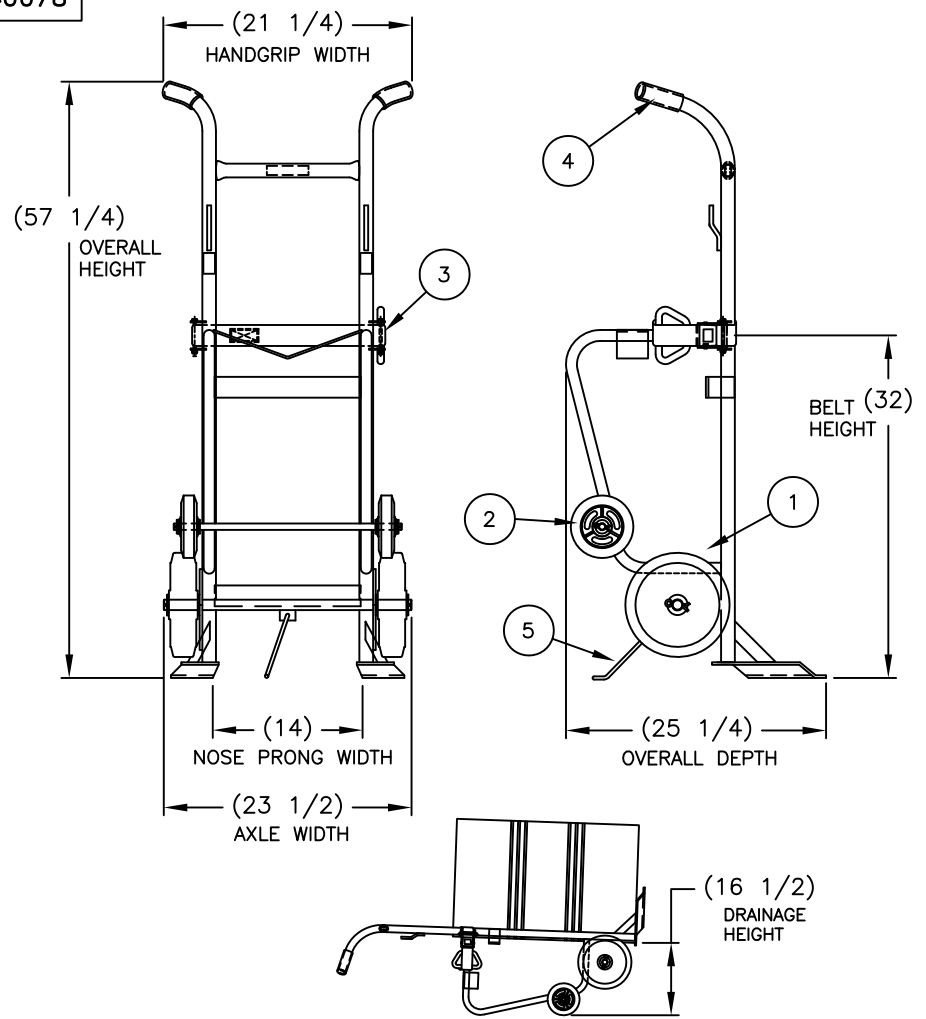


240078



**P/N 240078**  
 Model: **50BTW**  
 Capacity: 1,000 lbs  
 Weight: 65 lbs  
 Wheel: 10" x 2-1/4" Polyolefin

REPLACEMENT PARTS LIST			
1	150691	WHEEL: 10 X 2-1/4"	2
	108208	WASHER: FLAT 1" SAE	6
	108218	COTTER PIN 3/16 X 1.5"	2
2	150693	WHEEL: 6 x 1-1/2"	2
	100051	FLAT WASHER 5/8 SAE	4
	108219	COTTER PIN 5/32 X 1	2
3	150303	STRAP: W/HANDLE, YELLOW	1
	108900	SCR: HEX HD 1/4-20 x 3	2
	108929	NUT: LOCK 1/4-20	2
4	108433	HANDGRIP: YELLOW 1-1/4"	2
5	109633	KICKSTAND	1
6	-	BOX	

**DRUM TRUCK Features:**

- Industrial strength heavy duty 1" structural pipe frames.
- All joints double welded.
- High quality cast iron center moldon rubber wheel with 1" (ID) roller bearings.
- Polyolefin wheel is cost competitive and resistant to most environments that may damage rubber wheels.
- All trucks can be stored standing upright.
- Engineered to handle 55 gallon steel drum.
- capacity: 1,000 lbs.

**50BT/50BTW Features:**

- Acts as a poly drum truck or Drain stand.
- Wide "feet" and belt eliminate the risk of drums being punctured by nose prongs and chime hooks.
- Handles all poly drums.
- 6" x 1.5" rear wheel.
- With wheels resting on floor, 27" to center of belt.

\*\* Rear wheels - Polyolefin

**PRINT ISSUED**  
 NOV. 10, 2006  
 WESCO MANUFACTURING  
 ENGINEERING DEPARTMENT

R	W	S	APP
	10-22-12	UPDATED	
REV.	ECN	DATE	APP

**WESCO INDUSTRIAL PRODUCTS INC.**  
 NORTH WALES PENNA. 19454

PART NAME <b>50BTW DRUM TRUCKS</b>		DRAWN: LDU 8-9-00
TOLERANCE UNLESS OTHERWISE SPECIFIED		CHECKED:
FRACTION	3 PLACE DECIMAL	2 PLACE DECIMAL
± 1/64	± .005	± .01
ANGULAR ± 1-1/2'	SHEET 1	OF 1
BREAK ALL SHARP EDGES AND REMOVE ALL BURRS		SCALE: 1" = 12"
B- 240078		REV C