

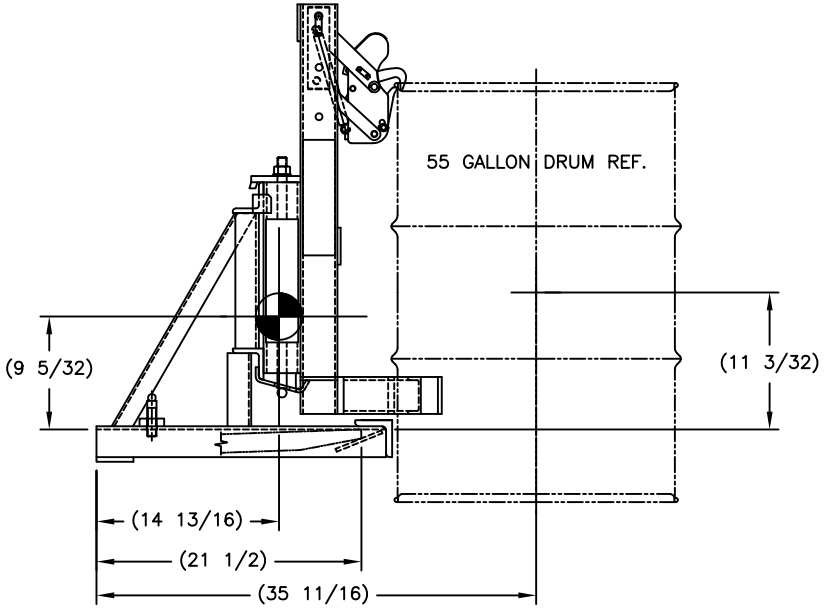
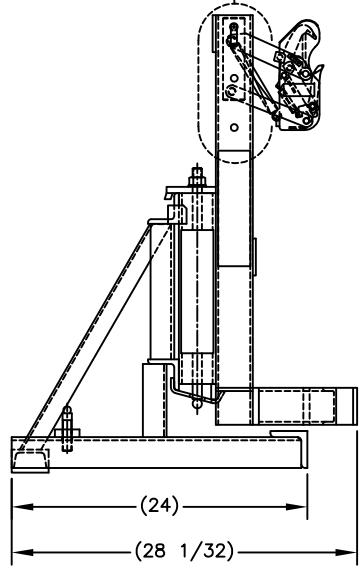
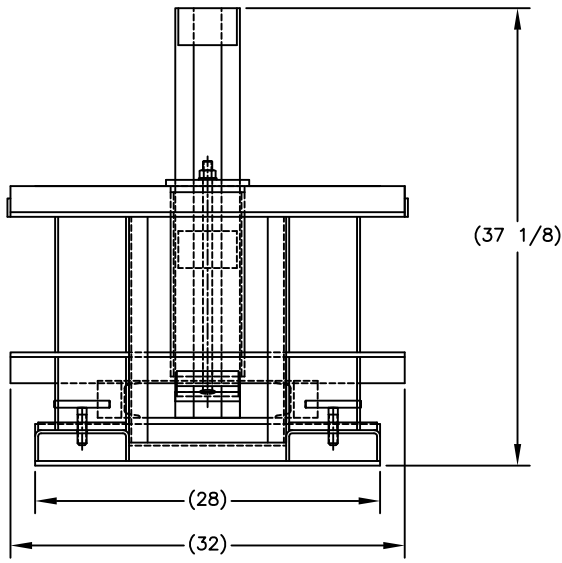
**P/N 240096 Fork Mounted, Single**

Model GG-F1  
 Capacity 1,600 lbs.  
 I.D 7" x 2.25"  
 Weight 244 lbs.  
 Overall Dim. HxWxD 37" x 32" x 28"  
 Boxed No

REPLACEMENT PARTS LIST			
ITEM	PART NO.	DESCRIPTION	QTY.
1	055079	GATOR GRIP ASSEMBLY	1
2	052974	WELDMENT: HANDLE CLAMP	2
Gator Belt Option			
3	240107	KIT: BELT OPTION	1

**GATOR GRIP**

- Picks up drums automatically. Driver never leaves seat while lifting and releasing drums.
- Use with open or closed head drums.
- Handles steel, fiber and poly drums.
- Gator Grips made USA
- Both single and dual grip products available.
- Economy and Heavy Duty models.



**PRINT ISSUED**

MAY 29, 2009

WESCO MANUFACTURING  
 ENGINEERING DEPARTMENT

THIS DRAWING IN ALL PARTICULARS IS WESCO INDUSTRIAL PRODUCTS INC. PROPERTY. ALL RIGHTS OF DESIGN, INVENTION OR USE OF ARE RESERVED.

12-21-02 REVISED ADDRESS	REVISED	<b>WESCO INDUSTRIAL PRODUCTS INC.</b> NORTH WALES, PENNA. 19454 PHONE: 610-398-1000 FAX: 610-398-1001 WWW: WWW.WESCOIND.COM	DRAWN: LDU 3-28-01 CHECKED: PS 3-29-01
	PART NAME: GRIP: GATOR FORK MOUNTED, SINGLE FUNCTION: 3 PLATE SERIAL MATERIAL: 3 PLATE SERIAL FINISH: 3 PLATE SERIAL DIMENSIONS: 3 PLATE SERIAL SHEET 1 OF 1 DWG. ALL DIMENSIONS AND UNLESS ALL DIMENSIONS		APP. DATE: SCALE: 1:5 D-240096