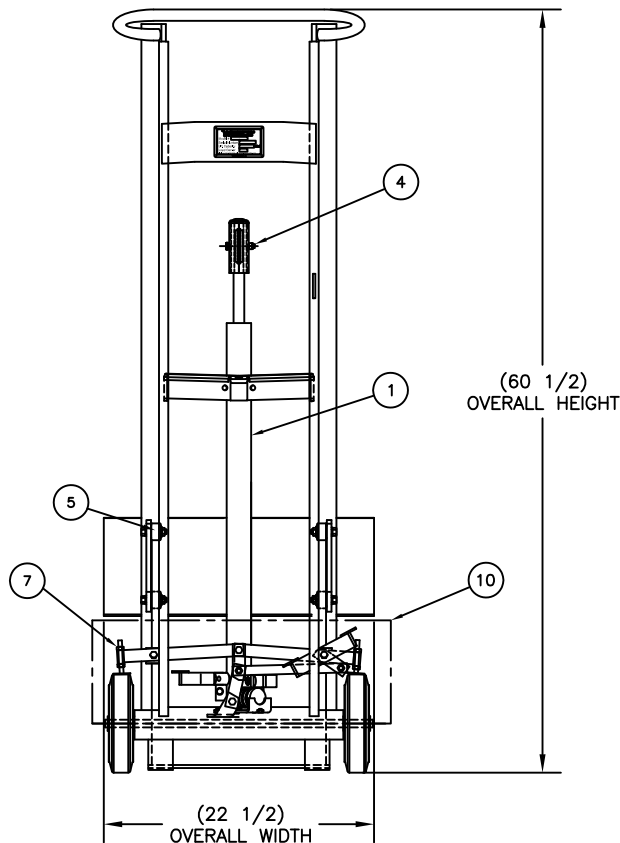
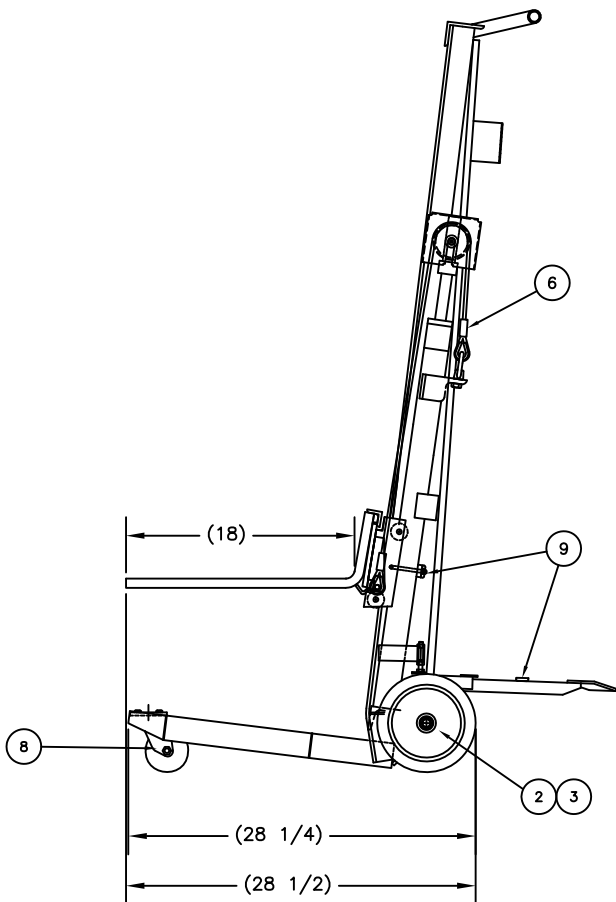


ADJUSTABLE FORK POSITIONS



REPLACEMENT PARTS LIST

ITEM	PART NO.	DESCRIPTION	QTY.
1	056401	JACK ASSEMBLY-SS(54")	1
2	053733	WHEEL: 8X2 (PU/POLY)	2
3	109480	COTTER PIN, SS	2
4	056448	KIT: ROLLER CARRIER	1
5	109473	PLATFORM ROLLER	4
6	056638	ASSEMBLY:LIFT CABLE	1
7	056533	ELEVATOR BOLT	2
8	109472	SWIVEL CASTER	2
9	056449	KIT: MAGNETIC LATCH	1
10	056441	KIT: WHEEL LOCK	1

STAINLESS STEEL PEDALIFT

The Wesco Stainless Steel Pedalift has a stainless steel frame, forks and hydraulic jack construction with:

- Polyurethane tread on polypropylene hub wheels with stainless bearings.
- Stainless steel swivel caster rig with hard rubber wheel.
- Stainless steel hydraulic pump as copper pumping cylinder seal, copper valve nut seal and copper release valve body seal
- Stainless steel wire rope assembly with zinc plated copper compressions sleeves.
- Stainless steel wire rope sheave with bearing bronze bushing.
- ABS plastic Cable Guard

P/N 260197

Model: SSDPL-54-F
 Raised Height: 54"
 Lowered Height: 5.75"
 Forks: 3/4" THK X 3" W X 18" LG
 Weight: 165 LB
 Capacity: 750 LB
 Load Center: 9"

THIS DRAWING IN ALL PARTICULARS IS WESCO MFG. CO. PROPERTY. ALL RIGHTS OF DESIGN, INVENTION OR USE OF ARE RESERVED.

PRINT ISSUED

NOV 17 2015

WESCO MANUFACTURING
ENGINEERING DEPARTMENT

7150 11-17-15 D A DOCUMENTATION R RELEASED	APP	WESCO MANUFACTURING CO. LANSDALE PENNA. 19446	
	REVISIONS	PART NAME	SSDPL-54-F (PEDALIFT)
		CHECKED:	DR 11-17-15
		APP. ENGR.	
REV.	TOLERANCE UNLESS OTHERWISE SPECIFIED		SCALE: 1:6
	FRACTION	3 PLACE DECIMAL 2 PLACE DECIMAL	
	± 1/64	± .005 ± .01	
	ANGULAR ± 1-1/2°	SHEET 1 OF 1	C-260197 REV. A