

272083

ZINC DIE CAST FAUCET

WEIGHT: .53 LBS.

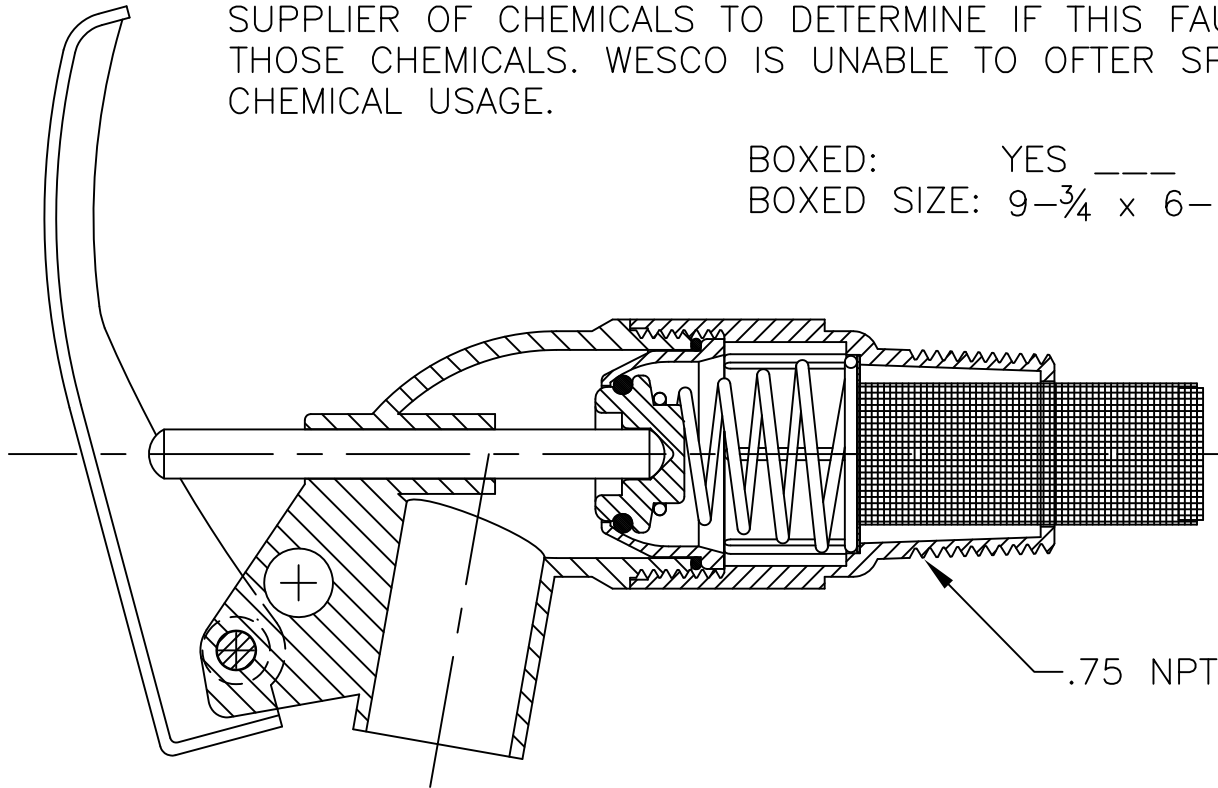
- FLAME ARRESTOR
- FM APPROVED FOR NON-VISCOUS LIQUIDS
- SOLD ONLY IN PACKS OF 10

FEATURES

- ZINC DIE CAST ALLOY.
- EASY-TO-USE SELF-CLOSING DESIGN.
- CAN BE PAD LOCK IN CLOSED POSITION.
- .75" NPT CONNECTION.
- VITON GASKET.

WESCO RECOMMENDS THAT IF A QUESTION ARISES, THE USER CONTACT THE SUPPLIER OF CHEMICALS TO DETERMINE IF THIS FAUCET IS COMPATIBLE WITH THOSE CHEMICALS. WESCO IS UNABLE TO OFFER SPECIFIC RECOMMENDATIONS FOR CHEMICAL USAGE.

BOXED: YES \_\_\_ NO \_\_\_  
 BOXED SIZE: 9-3/4" x 6-1/2" x 3-1/4" PER PIECE.



THIS DRAWING IN ALL PARTICULARS IS WESCO INDUSTRIAL PRODUCTS INC. PROPERTY. ALL RIGHTS OF DESIGN, INVENTION OR USE OF ARE RESERVED.

		APP	<b>WESCO INDUSTRIAL PRODUCTS INC.</b> NORTH WALES PENNA. 19454			
		ECN & DATE				
		REVISIONS	PART NAME		DRAWN: RDS 02-13-06	
			FAUCET ASSEMBLY, ZINC DIECAST (WITH FLAME ARRESTOR SCREEN)		CHECKED:	
			TOLERANCE UNLESS OTHERWISE SPECIFIED			APP. ENGR.
			FRACTION	3 PLACE DECIMAL	2 PLACE DECIMAL	SCALE: 1" = 1"
			± 1/64	± .005	± .01	
		REV.	ANGULAR ± 1-1/2"	SHEET 1 OF 1	A-272083	
			BREAK ALL SHARP EDGES AND REMOVE ALL BURRS			