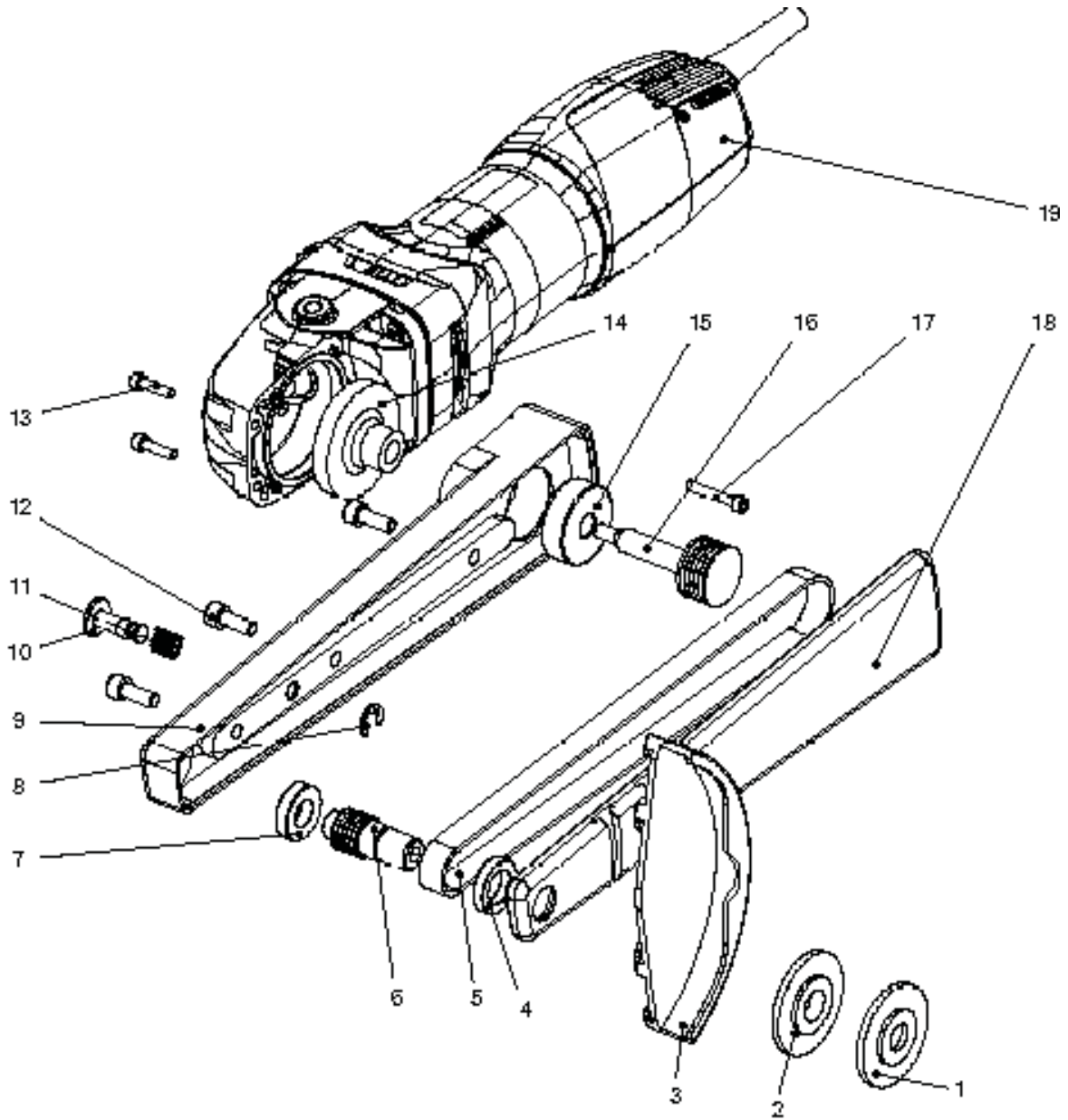


Ulti-Mate – Parts List



NO.	DESCRIPTION	QTY	ORDER	NO.	DESCRIPTION	QTY	ORDER
1	FLANGE NUT 5/8"-11	1	48K627	2	LOWER FLANGE	1	48T001
3	PROTECTIVE COVER	1	48T002	4	BALL BEARING 6803-2RS	1	48Q270
5	MULTI V-BELT PJ559X11.6MM	1	48T003	6	DRIVE SHAFT	1	48T004
7	BALL BEARING 6901Z	1	48Q271	8	RETAINER RING DIN6799 BORE 6	1	48T005
9	BASE PIECE	1	48T006	10	PROTECTIVE COVER LOCK	1	48T007
11	SPRING LOCK	1	48T008	12	M6X16 SCREW	3	48S170
13	M5X20 SCREW M5X20 VIS M5X20 TORNILLO M5X20 PARAFUGO	2	48S173	14	TOOTHED WHEEL	1	48T009
15	BALL BEARING 6300RS	1	48Q272	16	DRIVE SHAFT	1	48T010
17	M5X20 SCREW M5X20 VIS M5X20 TORNILLO M5X20 PARAFUGO	1	48S173	18	LID	1	48T011
19	QUICK-STEP FINISHER	1	30A275				