



WALTER

Surface Technologies

ICECUT™

Magnetic Drilling Units

ICECUT MINI

39-D 050 (120V)

This machine is CSA certified.



Thank you for your purchase of the ICECUT MINI low-profile magnetic drilling unit from Walter.
We would really appreciate your feedback on the machine.

Other related products by Walter:



Contact Walter Surface Technologies

Canada (Toll Free): +1-888-592-5837
USA (Toll Free): +1-866-592-5837
Mexico: (81) 11 12-5875

Email: csr@walter.com

Or visit: www.walter.com

TABLE OF CONTENTS

SECTION		PAGE
1)	INTENDED USE	4
2)	GENERAL SAFETY RULES	4
3)	INFORMATION PLATE SYMBOLS	6
4)	SPECIFICATIONS	7
5)	OPERATIONAL SAFETY PROCEDURES	8
6)	OPERATING INSTRUCTIONS	8
7)	CONTROL PANEL OPERATION	9
8)	SPEED SELECTION	10
9)	MAGNET DETECTION	10
10)	EXTENSION CABLE SELECTION	10
11)	MOUNTING OF CUTTERS	11
12)	SOLUTIONS TO HOLE MAKING PROBLEMS	11
13)	TROUBLE SHOOTING	12
14)	MAINTENANCE	13
15)	WARRANTY STATEMENT	15
16)	ICECUT MINI - EXPLODED VIEW OF MACHINE	48
17)	ICECUT MINI - EXPLODED VIEW OF MOTOR	52
18)	ICECUT MINI - CONTROL PANEL & PARTS LIST	53
19)	ICECUT MINI - WIRING DIAGRAM	54

Included with your Magnetic Drill Unit
Ratchet handle
Safety strap
4mm hexagonal wrench (x2)
Coolant bottle
Safety glasses
1 x Pair of Spare carbon brushes – 120V

1) INTENDED USE

The intended use of this magnetic drill is to drill holes in ferrous metals. The magnet is used to hold the drill in place whilst the drill is functioning. It is designed for use in fabrication, construction, railways, petrochemical and any other applications when drilling ferrous metal. Any deviation from its intended use will not be covered by warranty.

2) GENERAL SAFETY RULES

WARNING! READ AND UNDERSTAND ALL INSTRUCTIONS. When using electric tools basic safety precautions should always be followed to reduce the risk of fire, electric shock and personal injury. Failure to follow all instructions listed below, may result in electric shock, fire and/or serious personal injury.

SAVE THESE INSTRUCTIONS

WORK AREA

1. **Keep your work area clean and well lit.** Cluttered benches and dark areas invite accidents.
2. **Do not operate power tools in explosive atmospheres, such as in the presence of flammable liquids, gases, or dust.** Power tools create sparks which may ignite the dust or fumes.
3. **Keep bystanders, children, and visitors away while operating a power tool.** Distractions can cause you to lose control.

ELECTRICAL SAFETY

1. **Grounded tools must be plugged into an outlet properly installed and grounded in accordance with all codes and ordinances. Never remove the grounding prong or modify the plug in any way. Do not use any adaptor plugs. Check with a qualified electrician if you are in doubt as to whether the outlet is properly grounded.** If the tools should electrically malfunction or break down, grounding provides a low resistance path to carry electricity away from the user.
2. **Avoid body contact with grounded surfaces such as pipes, radiators, ranges and refrigerators.** There is an increased risk of electric shock if your body is grounded.
3. **Don't expose power tools to rain or wet conditions.** Water entering a power tool will increase the risk of electric shock.
4. **Do not abuse the cord. Never use the cord to carry the tools or pull the plug from an outlet. Keep cord away from heat, oil, sharp edges or moving parts. Replace damaged cords immediately.** Damaged cords increase the risk of electric shock.
5. **When operating a power tool outside, use an outdoor extension cord marked "W-A" or "W".** These cords are rated for outdoor use and reduce the risk of electric shock.

PERSONAL SAFETY

1. **Stay alert, watch what you are doing and use common sense when operating a power tool. Do not use tools when tired or under the influence of drugs, alcohol, or medication.** A moment of inattention while operating power tools may result in serious personal injury.
2. **Dress properly. Do not wear loose clothing or jewelry. Contain long hair. Keep your hair, clothing, and gloves away from moving parts.** Loose clothes, jewelry or long hair can be caught in moving parts.
3. **Avoid accidental starting. Be sure switch is off before plugging in.** Carrying tools with your finger on the switch or plugging in tools that have the switch on invites accidents.
4. **Remove adjusting keys or wrenches before turning the tool on.** A wrench or a key that is left attached to a rotating part of the tool may result in personal injury.
5. **Do not overreach. Keep proper footing and balance at all times.** Proper footing and balance enables better control of the tool in unexpected situations.
6. **Use safety equipment. Always wear eye protection.** Dust mask, non-skid safety shoes, hard hat or hearing protection must be used for appropriate conditions.

TOOL USE AND CARE

1. **Use clamps or other practical way to secure and support the workpiece to a stable platform.** Holding the work by hand or against your body is unstable and may lead to loss of control.
2. **Do not force tool. Use the correct tool for your application.** The correct tool will do the job better and safer at the rate in which it is designed.
3. **Do not use tool if switch does not turn it on or off.** Any tool that cannot be controlled with the switch is dangerous and must be repaired.
4. **Disconnect the plug from the power source before making any adjustments, changing accessories, or storing the tool.** Such preventive safety measures reduce the risk of starting the tool accidentally.
5. **Store idle tools out of reach of children and other untrained persons.** Tools are dangerous in the hands of untrained users.
6. **Maintain tools with care. Keep cutting tools sharp and clean.** Properly maintained tools, with sharp cutting edges are less likely to bind and are easier to control.
7. **Check for misalignment or binding of moving parts, breakage of parts, and any other condition that may affect the tools operation. If damaged, have the tool serviced before using.** Many accidents are caused by poorly maintained tools.
8. **Use only accessories that are recommended by the manufacturer for your model.** Accessories that may be suitable for one tool, may become hazardous when used on another tool.
9. **Always use safety strap.** Mounting can release.

SERVICE

1. **Tools service must be performed only by qualified repair personnel.** Service or maintenance performed by unqualified personnel could result in a risk of injury.
2. **When servicing a tool, use only identical replacement parts. Follow instructions in the Maintenance section of this manual.** Use of unauthorized parts or failure to follow Maintenance Instructions may create a risk of electric shock or injury.

ADDITIONAL IMPORTANT SAFETY NOTES

1. Remove the power supply before carrying out any adjustment, servicing or maintenance.
2. Consider work area environment;
 - Do not expose tools to rain.
 - Do not use tools in damp or wet locations.
 - Keep work area well lit (500 Lux recommended).
 - Do not use tools in the presence of flammable liquids or gases.
 - Ensure there is adequate space to gain access to the plug, mains and motor on/off switches.
3. Guard against electric shock:
 - Avoid body contact with earthed or ground surfaces (e.g. pipes, radiators, cookers and refrigerators). Electric safety can be further improved by using a high-sensitivity (30 mA/0.1s) residual current device (RCD).
4. Keep other persons away. Do not let untrained persons, especially children, touch the tool or the extension cord and keep them away from the work area.
5. Store idle tools when not in use. All tools should be stored in a dry locked-up place, out of reach of children.
6. When using the drill, always ensure a safe operating distance from any swarf and do not reach into the cutting area, or near the cutter, when the machine is running.
7. Connect dust extraction and collecting equipment, if devices are provided, ensuring these are properly connected and used.
8. Do not overreach! Keep proper footing and balance at all times.
9. Maintain tools with care;
 - Keep cutting tools sharp and clean for better and safer performance.
 - Regularly check the machine for any wear or damage.
 - Ensure the machine is clean and free from debris prior to use.
 - Remove from the mains prior to any maintenance.
 - Follow instructions for lubricating and changing accessories.

- Inspect tool cords periodically and if damaged have it repaired by an authorized Walter service facility.
 - Inspect extension cords periodically and replace if damaged.
 - Keep handles dry, clean and free from oil and grease.
10. Disconnect tools from the power supply when not in use, before servicing or when changing accessories such as cutters.
 11. Form the habit of checking to see that keys and adjusting wrenches are removed from the tool before turning it on.
 12. Use extension leads only intended for outdoor use when the tool is used outdoors.
 13. The vibration emissions during actual use can differ from the declared total value depending on the ways in which the tool is being used.
 14. Watch what you are doing, use common sense and do not operate the tool when you are tired. Do not operate the machine when under the influence of alcohol or any illegal substances.
 15. Check damaged parts
 - Before further use of tool, it should be carefully checked to determine that it will operate properly and perform its intended function.
 - Check for alignment of moving parts, binding of moving parts, breakage of parts, mounting and any other conditions that may affect its operation.
 - A guard or other part that is damaged should be properly repaired or replaced by an authorized service centre unless otherwise indicated in this instruction manual.
 - Have defective switches replaced by authorized service centre,
 - Do not use the tool if the switch does not turn it on and off.
 16. The use of any accessory or attachment, other than ones recommended in this instruction manual, may present a risk of personal injury.
 17. Have your machine repaired by a qualified Walter technician. This electric tool complies with the relevant safety rules. Qualified persons using original spare parts should only carry out repairs otherwise this may result in considerable danger to the user.
 18. Never operate the machine if parts are missing or damaged.
 19. Never direct jets of water or flammable liquids over the drill.
 20. Operator must be physically able to handle the weight of the machine.
 21. Operator should be trained in the use of the machine.

3) INFORMATION PLATE SYMBOLS



1



2



3



4

1. Refer to the user manual for operational and safety issues with regard to this machine.
2. Dispose of the machine and electrical components correctly.
3. Eye protection must be worn when operating the machine.
4. Ear defenders must be worn when operating the machine.

4) SPECIFICATIONS

Maximum hole cutting capacity in .2/.3C steel (\emptyset X DoC) = 2" x 2"

Arbor bore = 3/4" (19.05mm) Weldon

Motor Unit	
Voltages	120V 50-60Hz
Normal full load	10 A
Electro Magnet	0.53 A
Size	192mm long 82mm wide
Holding Force at 20°C with 25mm minimum plate thickness The use on any material less than 25mm thick will progressively reduce the magnetic performance. If possible, substitute material should be positioned under the magnet and work piece to equate to a suitable material thickness. If this is not possible, an alternative secure method of restraining the machine must be used.	10000N
Overall Dimensions	
Height - minimum	179mm
Width (including capstan fitting)	100mm
Length Overall (including guard)	334mm
Net Weight	11 kg (24.2lbs)
	Icecut MINI – 120V (39-D 050)

Ear and eye defenders must be worn when operating this machine. Wear gloves to protect hands when operating the machine.

The declared vibration total value has been measured in accordance with a standard test method and may be used for comparing one tool with another.

The declared vibration total value may also be used in a preliminary assessment of exposure.

The vibration emission during actual use of the power tool can differ from the declared total value depending on the ways in which the tool is used;

The need to identify safety measures to protect the operator that are based on an estimation of exposure in the actual conditions of use (taking account of all parts of the operating cycle such as the time and when the tool is switched off and when it is running idle in addition to the trigger time).

These tools are UK designed and manufactured with globally sourced components and conform with the requirements of EEC Document HD.400.1 and BS.2769/84.

Suitable only for a single phase 50-60Hz A.C. power supply

DO NOT USE ON D.C. SUPPLY

Do not use your magnetic drill on the same structure when arc welding is in progress.

D.C. current will earth back through the magnet and cause irreparable damage.

WARNING: THIS APPLIANCE MUST BE EARTHED!

NB: ANY MODIFICATIONS TO THIS MACHINE WILL INVALIDATE THE GUARANTEE

5) OPERATIONAL SAFETY PROCEDURES

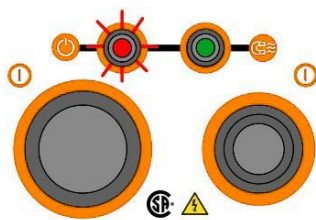
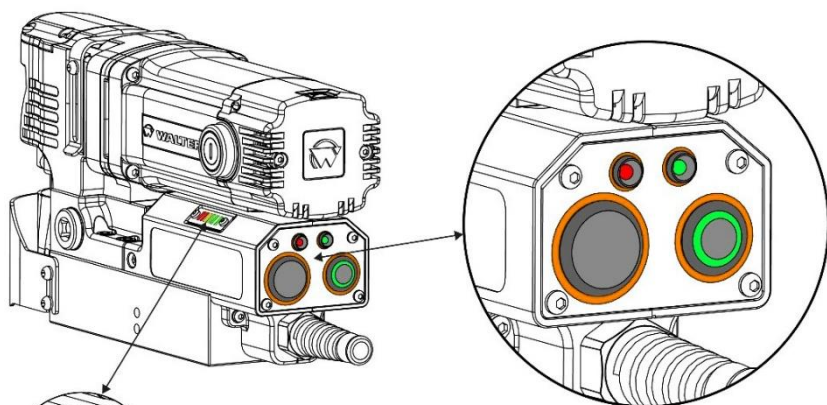
READ BEFORE USING THE MACHINE

- When using electrical tools, basic safety precautions should always be followed to reduce the risk of electric shock, fire and personal injury.
- Ensure the magnet is off before plugging in the machine.
- Do not use in wet or damp conditions. Failure to do so may result in personal injury.
- Do not use in the presence of flammable liquids, gases or in high risk environments. Failure to do so may result in personal injury.
- Before activating the machine, inspect all electrical supply cables (including extension leads) and replace if damaged. Do not use if there are any signs of damage.
- Only use extension cables approved for site conditions.
- Before activating the machine, always check the correct function of all operational systems, switches, magnet etc.
- Before operating, the machine must be securely restrained to a fixed independent feature by using safety strap and stationary rings. Affix the stationary rings into the magnet, uppermost side hole to reduce the potential free movement. Should the magnet become detached from the work piece. Failure to do so may result in personal injury.
- Always wear approved eye protectors, ear defenders and recommended PPE when operating the machine.
- Disconnect from power source when changing cutters or working on the machine.
- Cutters and swarf are sharp, always ensure that hands are adequately protected when changing cutters or removing swarf. Use a tool or brush where necessary to remove any swarf or the cutter from the arbor.
- Before operating the machine, always ensure cutter-retaining screws are secured tightly.
- Regularly clear the work area and machine of swarf and dirt, paying particular attention to the underside of the magnet base.
- Always remove tie, rings, watches and any loose adornments that might entangle with the rotating machinery before operating.
- Always ensure that long hair is securely enclosed by an approved restraint before operating the machine.
- Should the cutter become stuck in the work piece, stop the motor immediately to prevent personal injury. Disconnect from power source and turn arbor to and fro. Do not attempt to free the cutter by switching the motor on and off. Wear safety gloves to remove the cutter from the arbor.
- If the machine is accidentally dropped, always thoroughly examine the machine for signs of damage and check that it functions correctly before resuming drilling.
- Regularly inspect the machine and check for any damaged or loose parts.
- Always ensure when using the machine in an inverted position that only the minimum amount of coolant is used and that care is taken to ensure that coolant does not enter the motor unit.
- Cutting tools may shatter, always position the guard over the cutter before activating the machine. Failure to do so may result in personal injury.
- On completion of the cut, a slug will be ejected.
- When not in use always store the machine in a safe and secure location.
- Always ensure that approved WALTER agents conduct repairs.

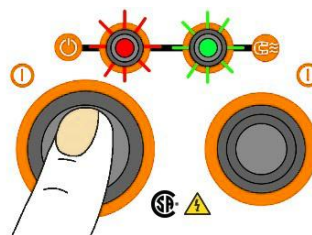
6) OPERATING INSTRUCTIONS

- Keep the inside of the cutter clear of swarf. It restricts the operating depth of the cutter.
- Ensure that the coolant bottle contains sufficient cutting oil to complete the required operating duration. Refill as required.
- Occasionally depress the pilot to ensure cutting fluid is being correctly metered.
- To start the machine, follow the control panel operation instructions. The ICECUT machine is fitted with a dual motor protection system to fully ensure safety and extended life of the motor. The ACCUDRILL™ protection (found on both sides of the machine) gives a clear and visible indication to the user of torque being applied to the motor, once the prescribed level is reached the motor is protected by automatic cut out. To re-start your machine, the operator will simply press the start button again. If, however the speed controller protection is activated, this is torque sensor regulated at a pre-determined value above ACCUDRILL™ (should ACCUDRILL™ fail to operate) the operator is required to press the start button twice to re-activate the machine.
- Always switch off the motor by depressing the green start/stop button or blue button depending upon operation. Do not switch off the motor by pressing the magnet switch.
- Apply light pressure when commencing the cut of a hole until the cutter is introduced into the work surface. Pressure can then be increased sufficiently to load the motor. Excessive pressure is undesirable, it does not increase the speed of penetration and will cause the safety overload protection device to stop the motor (the motor can be restarted by operating the motor start button) and may cause excessive heat which may result in inconsistent slug ejection
- Always ensure that the slug has been ejected from the previous hole before commencing to cut the next.
- If the slug sticks in the cutter, move the machine to a flat surface, switch on the magnet and gently bring the cutter down to make contact with the surface. This will usually straighten a cocked slug and allow it to eject normally.
- Apply a small amount of light oil lubricant regularly to the slide.
- Cutter breakage is usually caused by insecure anchorage or a loosely fitting slide (Refer to routine maintenance instructions).
- Only use approved cutting fluid. Walter cutting fluid has been specially formulated to maximise the cutters performance.

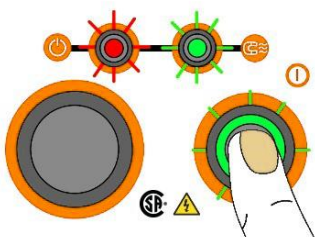
7) CONTROL PANEL OPERATION



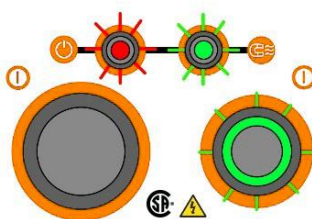
1) Power
When the drill is connected to the power supply the RED LED will indicate power to the drill.



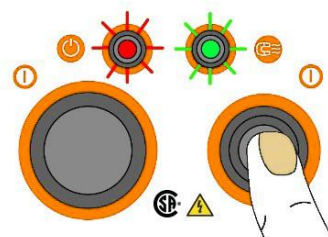
2) Magnet ON
To turn the magnet ON or OFF, press the large button on the control panel. The LED will illuminate either GREEN or RED depending on material thickness.



3) Motor ON
Press the GREEN switch to turn the motor on. Proceed with cutting-following all safety guidelines.

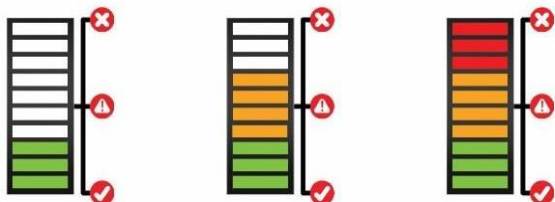


4) Cutting
See below for detailed description of the CutSmart™ visual indicator.



5) Motor OFF
To stop the motor press the GREEN switch. The motor will stop and the magnet will remain. The GREEN switch will turn off.

ACCUDRILL™ Technology



Green Zone
Perfect, try to keep in the green zone for the best cut and optimum machine performance.

Yellow Zone
A little too much pressure on the drill, ease off to get back to the green zone.

Red Zone
Overload: Back off immediately as too much force will cause the motor to cut off if you continue.

ACCUDRILL™ Technology

Designed for you to get the most out of your machine and your cutters. ACCUDRILL has an easy to read panel that indicates when you are drilling with too much force, which will damage the machine and the cutters. Allow the cutter to do the work and you will find that a much smoother hole and faster drilling time is achieved.

8) SPEED SELECTION

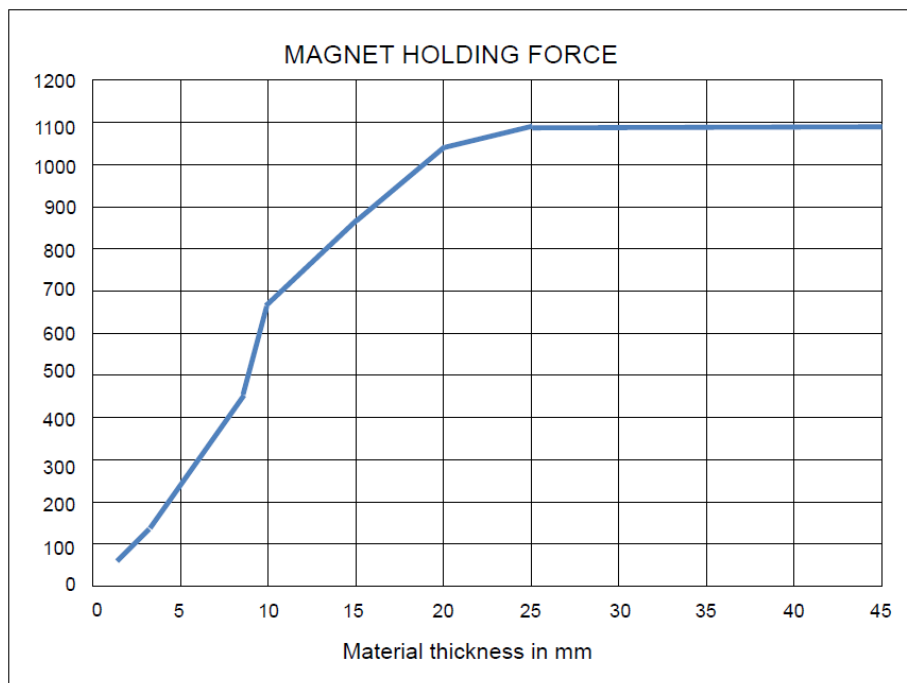
The ICECUT MINI is fitted with a 1-speed gearbox with a variable speed selector. The speed selection dial is used to reduce the output speed when using larger cutters.

Speed Selector Position	Speed Controller Setting					
	Position 1	Position 2	Position 3	Position 4	Position 5	Position 6
RPM	250/min	300/min	350/min	400/min	450/min	500/min

9) MAGNET DETECTION

It is advised that when working on thin material a packing piece should be used to increase the material thickness under the magnet. Working on thin material without a packing piece will reduce the magnet holding force.

It is advised that the drill is to be operated on ferrous material 12mm thick and above. Damage to the magnet base, such as pitting, will affect the strength of the magnet holding force.



10) EXTENSION CABLE SELECTION

The machines are factory fitted with a 3 metre length of cable having three conductors 1.5mm² LIVE, NEUTRAL and EARTH. If it becomes necessary to fit an extension cable from the power source, care must be taken in using a cable of adequate capacity. Failure to do so will result in a loss of traction by the magnet and a reduction of power from the motor.

Assuming a normal AC supply of the correct voltage, it is recommended that the following extension lengths shall not be exceeded:

For 120V supply: 3 metres (11.5 feet) of 3 core x 14AWG

ALWAYS DISCONNECT THE MACHINE FROM THE POWER SOURCE BEFORE CHANGING CUTTERS.

11) MOUNTING OF CUTTERS

- The machine has been made to accept cutters having 19.05mm (3/4") dia. Weldon shanks. The following procedure is to be used when mounting cutters:
- Lay the machine on its side with feed handles uppermost, ensuring arbor is wound down to its lowest point to enable access to socket screws 48S217.
- Take appropriate pilot and place through the hole in cutter shank. Insert shank of cutter into bore of arbor, ensuring alignment of two drive flats with socket screws.
- Tighten both screws using hexagon key.

12) SOLUTIONS FOR HOLE MAKING PROBLEMS

<i>Problem</i>	<i>Cause</i>	<i>Remedy</i>
1) Magnetic base won't hold effectively	Material being cut may be too thin for efficient holding. Swarf or dirt under magnet. Irregularity on magnet contact or work-piece. Insufficient current going to magnet during drilling cycles.	Attach an additional piece of metal under the magnet, or mechanically clamp magnetic base to work-piece. Clean magnet. Use extreme care; file any imperfections flush to surface. Confirm power supply and output from control unit, check supply cable.
2) Cutter skips out of centre-punch mark at initiation of cut	Magnetic base is not holding effectively. Worn arbor bushing and/or ejector collar. Too much feed pressure at start of cut. Cutter is dull, worn, chipped or incorrectly sharpened. Poor centre-punch mark; weak pilot spring; pilot not centred in centre-punch mark. Worn or bent pilot, worn pilot hole. Loose bolts on motor bushing support bracket, main casting or loose gib adjusting set screws.	See causes and remedies above. New arbor bushing is needed. Light pressure only is needed until a groove is cut. The groove then serves as a stabilizer. Replace or re-sharpen. Sharpening service is available. Improve centre-punch and/or replace worn parts Replace part or parts Adjust where necessary
3) Excessive drilling pressure required	Incorrectly re-sharpened, worn or chipped cutter. Coming down on swarf lying on surface of work-piece. Gib strips out of adjustment or lack of lubrication. Swarf accumulated (packed) inside cutter.	Re-sharpen or replace. Take care not to start a cut on swarf. Adjust setscrews and lubricate. Clear cutter.
4) Excessive cutter breakage	Steel swarf or dirt under cutter. Incorrectly re-sharpened or worn cutter. Cutter skipping. Slide needs adjustment.	Remove cutter, clean part thoroughly and replace. Always have a new cutter on hand to refer to for correct tooth geometry, together with instruction sheet. See causes and remedies (2). Tighten grub screws supporting the slide.

	<p>Cutter not attached tightly to arbor.</p> <p>Insufficient use of cutting oil or unsuitable type of oil.</p> <p>Incorrect speed</p>	<p>Retighten.</p> <p>Inject oil of light viscosity into the coolant-inducing ring and check that oil is being metered into cutter when pilot is depressed. If not, check pilot groove and arbor internally for dirt or apply oil externally. (Even a small amount of oil is very effective).</p> <p>Ensure correct gear is used for the cutter.</p>
5) Excessive cutter wear	<p>See cause and remedy above</p> <p>Incorrectly re-sharpened cutter.</p> <p>Insufficient or spasmodic cutting pressure.</p>	<p>Refer to instructions and a new cutter for proper tooth geometry.</p> <p>Use sufficient steady pressure to slow the drill down. This will result in optimum cutting speed and chip load.</p>

13) TROUBLESHOOTING

Magnet and motor do not function	<ul style="list-style-type: none"> - Damaged or defective wiring - Defective fuse - Defective control unit - Defective power supply
Magnet does function, the motor does not	<ul style="list-style-type: none"> - Damaged or defective wiring - Carbon brushes are stuck or worn out - Defective on / off switch - Defective control unit - Defective armature and/or field - Defective protective reed switch
Hole cutters break quickly, holes are bigger than the hole cutter	<ul style="list-style-type: none"> - Play in the guide - Bent spindle - Shaft extending from the motor is bent - Pilot bent
Motor running roughly and/or seizing up	<ul style="list-style-type: none"> - Bent spindle - Shaft extending from the motor is bent - Triangular guide not mounted straight - Dirt between spindle and triangular guide
Motor making a rattling sound	<ul style="list-style-type: none"> - Gear ring (bottom of the armature) worn out - Gear(s) worn out - No grease in gear box
Motor humming, big sparks and motor has no force	<ul style="list-style-type: none"> - Armature damaged - Field burned - Carbon brushes worn out
Motor does not start or fails.	<ul style="list-style-type: none"> - Damaged or defective wiring - Damage to armature or field coil - Damaged or defective brushes
Guiding takes a great deal of effort	<ul style="list-style-type: none"> - Guide is set too tight - Guide is dry - Guide/gear- rack/rotation system is dirty or damaged
Insufficient magnetic force	<ul style="list-style-type: none"> - Bottom of magnet not clean and dry - Bottom of magnet not flat - Work piece is not bare metal - Work piece is not flat - Work piece is too thin less than 3.5mm - Defective control unit - Defective magnet

Frame under voltage	- Damaged / defective wiring - Motor seriously dirty
Fuse blows when magnet switch is turned on	- Damaged or defective wiring - Wrong value fuse - Defective magnet switch - Defective control unit
Fuse blows when motor is started up	- Damaged or defective wiring - Wrong value fuse - Motor running roughly - Defective armature and / or field - Carbon brushes worn out - Defective control unit
Rotation system free stroke too long	- Loose or defective gear-rack - Defective rotation system

14) MAINTENANCE

In order to get the best life out of your Walter machine always keep it in good working order.

A number of items must always be checked on Walter machines.

Always before starting any job make sure the machine is in good working order and that there are no damaged or loose parts. Any loose parts must be tightened.

Before proceeding with any maintenance work be certain that the power supply is disconnected.

Description	Every operation	1 week	1 Month
Visual check of machine for damage	X		
Operation of machine	X		
Check brush wear		X	
Check magnetic base	X		
Check alignment of the machine			X
Check grease			X
Check armature			X

Visually check the machine for damage.

The machine must be checked before operation for any signs of damage that will affect the operation of the machine. Particular notice must be taken to the mains cable, if the machine appears to be damaged it should not be used, failure to do so may cause injury or death.

Check operation of the machine.

The machines operation must be checked to ensure that all components are working correctly.

Machine Brushes

Should be checked to make sure there is no abnormal wear present (this should be checked at least once a week if used frequently). If the brush has worn more than 2/3 of the original length, the brushes should be changed. Failure to do so may cause damage to the machine.

Magnetic base

Before every operation the magnetic base should be checked to make sure that there is no damage present. An uneven magnet base will cause the magnet not to hold as efficiently and may cause injury to the

operator.

Adjustment of slide and bearing bracket alignment.

An essential requirement of the machine is that the slide can move in a smooth and controlled manner, free of lateral movement and vibration.

This situation can be maintained by periodic adjustment of the slide and is accomplished in the following manner:

1. Place the machine in an upright position and, by means of the capstan, raise the slide to its highest position. Clean the brass gib strips and apply a small amount of light machine oil to the wear surfaces.
2. Now lower the slide back to its lowest position. Bring the slide into the center of the dovetail slide housing and loosen screws thus allowing free movement of the arbor support bracket.
3. Commencing with the middle screws, gently feed in all the screws until slight resistance is encountered.
4. Operate the slide up and down a few times to test the movement and make any further necessary adjustments. Try to ensure that all the screws are exerting a uniform pressure on the slide from top to bottom. A perfectly adjusted slide will operate freely up and down without any sideways movement.
5. Now raise the slide to its highest position. Slightly undo the arbor bearing bracket and, using fingers only, tighten the screws.
6. Place the machine on a steel plate, connect to power supply and switch on the magnet. Start up the motor. If the arbor is incorrectly aligned, the arbor support bracket will be seen to oscillate. Make any necessary further adjustments to the bracket to ensure correct alignment of the spindle and finally tighten the screws using a spanner. Lastly tighten the arbor bearing bracket.

Check machines grease.

The gearbox grease should be checked once a month to ensure all moving components are covered to prevent wear. The grease should be changed at least once a year to ensure you gain the best from your machine.

Check Armature of the machine.

This should be checked at least once a month to check that there are no visual signs of damage to the body or to the commutator. Some signs of wear will be seen on the commutator over a period of time but this is normal (this is the part that comes into contact with the brushes) however, if there are any signs of abnormal damage the part should be replaced.

15) WARRANTY STATEMENT

Walter warrants its machines to be free from faulty parts, under normal usage of machines, for a period of 12 months from initial date of purchase. All other parts (excluding cutters) are under warranty for 90 days, provided that the warranty registration card (or online registration) has been completed and returned to Walter or its designated distributor within a period of (30) days from the purchase date. Failure to do so will void the warranty. If the stated is adhered to, Walter will repair or replace (at its option) without charge any faulty items returned.

This Warranty does not cover:

1. Components that are subject to natural wear and tear caused by the use is not in accordance with the operator's instructions
2. Defects in the tool caused by non-compliance with the operating instructions, improper use, abnormal environment conditions, inappropriate operating conditions overload or insufficient servicing or maintenance.
3. Defects caused by using accessories, components or spare parts other than original Walter parts.
4. Tools to which changes or additions have been made.
5. Electrical components are subject to manufacturer's warranty.

Your online registration can be submitted at www.walter.com

The warranty claim must be logged within the warranty period. This requires the submission or sending of the **complete** tool in question with the original sales receipt which must indicate the purchase date of the product. A complaint form must also be submitted prior to the return.

This can be found online at www.walter.com. Failure to complete this form will result in the delay of your claim. All goods returned defective must be returned pre-paid to Walter, in no event shall Walter be liable for subsequent direct, or indirect loss or damage.

THIS WARRANTY IS IN LIEU OF ANY OTHER WARRANTY, (EXPRESSED OR IMPLIED) INCLUDING ANY WARRANTY OF MERCHANTABILITY OR FITNESS FOR A PARTICULAR PURPOSE. WALTER RESERVES THE RIGHT TO MAKE IMPROVEMENTS AND MODIFICATIONS TO DESIGN WITHOUT PRIOR NOTICE.

“ONLY THE BEST™”



WALTER

Technologies pour surfaces

ICECUT™

Perceuses à base magnétique

ICECUT MINI

39-D 050 (120V)

Cette machine est certifiée CSA.



Nous vous remercions de vous être procuré une perceuse magnétique à profile bas, ICECUT MINI de Walter.
Nous vous saurions gré de nous faire part de tout commentaire concernant votre unité.

Autres produits connexes de Walter:



Pour contacter Walter Technologies pour surfaces

Canada (sans frais) : +1 888 592-5837
É.-U. (sans frais) : +1 866 592-5837
Mexique : (81) 11 12-5875

Courriel : csr@walter.com

Ou visitez le www.walter.com

TABLE DES MATIÈRES

SECTION		PAGE
1)	APPLICATIONS	19
2)	INSTRUCTIONS GÉNÉRALES DE SÉCURITÉ	19
3)	VIGNETTES D'INFORMATION	21
4)	SPÉCIFICATIONS	22
5)	PROCÉDURES OPÉRATIONNELLES DE SÉCURITÉ	23
6)	INSTRUCTIONS D'UTILISATION	23
7)	OPÉRATIONS DU PANNEAU DE CONTRÔLE	24
8)	SÉLECTION DE VITESSES	25
9)	DÉTECTEUR MAGNÉTIQUE	25
10)	CHOIX DE LA RALLONGE	25
11)	MONTAGE DES FRAISES	26
12)	SOLUTIONS AUX PROBLÈMES DE PERÇAGE	26
13)	DIAGNOSTIC DE PANNE	27
14)	ENTRETIEN	29
15)	GARANTIE	31
16)	ICECUT MINI - VUE EXPLOSÉE DE L'OUTIL	48
17)	ICECUT MINI - VUE EXPLOSÉE DU MOTEUR	52
18)	ICECUT MINI - PANNEAU DE CONTRÔLE ET LISTE DES PIÈCES	53
19)	ICECUT MINI - SCHÉMA DU CÂBLAGE	54

Compris avec votre perceuse magnétique
Poignée à cliquet
Courroie de sécurité
Clé Allen de 4 mm (x2)
Bouteille de liquide de refroidissement
Lunettes de sécurité
Paire de brosses de carbone additionnelle – 120 V

1) APPLICATIONS

Cette perceuse magnétique est conçue pour les métaux ferreux. L'aimant sert à maintenir la perceuse en place pendant qu'elle est en fonctionnement. Elle est conçue pour les applications de fabrication, de construction, les applications ferroviaires ou pétrochimiques et toute autre application qui nécessite de percer des métaux ferreux. Toute utilisation de la perceuse qui n'est pas énoncée dans les applications prévues ne sera pas couverte par la garantie.

2) INSTRUCTIONS GÉNÉRALES DE SÉCURITÉ

AVERTISSEMENT! LIRE ET COMPRENDRE TOUS LES INSTRUCTIONS. Lire tous les avertissements de sécurité et toutes les instructions. Ne pas suivre les avertissements et instructions peut donner lieu à un choc électrique, un incendie et/ou une blessure sérieuse.

CONSERVER TOUS LES AVERTISSEMENTS ET TOUTES LES INSTRUCTIONS POUR POUVOIR S'Y REPORTER ULTÉRIEUREMENT.

SÉCURITÉ DE LA ZONE DE TRAVAIL

1. **Conserver la zone de travail propre et bien éclairée.** Les zones en désordre ou sombres sont propices aux accidents.
2. **Ne pas faire fonctionner les outils électriques en atmosphère explosive, par exemple en présence de liquides inflammables, de gaz ou de poussières.** Les outils électriques produisent des étincelles qui peuvent enflammer les poussières ou les fumées.
3. **Maintenir les enfants et les personnes présentes à l'écart pendant l'utilisation de l'outil.** Les distractions peuvent vous faire perdre le contrôle de l'outil.

SÉCURITÉ ELECTRIQUE

1. **Il faut que les fiches de l'outil électrique soient adaptées au socle. Ne jamais modifier la fiche de quelque façon que ce soit. Ne pas utiliser d'adaptateurs avec des outils à branchement de terre.** Des fiches non modifiées et des socles adaptés réduiront le risque de choc électrique.
2. **Éviter tout contact du corps avec des surfaces reliées à la terre telles que les tuyaux, les radiateurs, les cuisinières et les réfrigérateurs.** Il existe un risque accru de choc électrique si votre corps est relié à la terre.
3. **Ne pas exposer les outils à la pluie ou à des conditions humides.** La pénétration d'eau à l'intérieur d'un outil augmentera le risque de choc électrique.
4. **Ne pas maltraiter le cordon. Ne jamais utiliser le cordon pour porter, tirer ou débrancher l'outil. Maintenir le cordon à l'écart de la chaleur, du lubrifiant, des arêtes ou des parties en mouvement.** Des cordons endommagés ou emmêlés augmentent le risque de choc électrique.
5. **Lorsqu'on utilise un outil à l'extérieur, utiliser un prolongateur adapté à l'utilisation extérieure.** L'utilisation d'un cordon adapté à l'utilisation extérieure réduit le risque de choc électrique.
6. **Si l'usage d'un outil dans un emplacement humide est inévitable, utiliser une alimentation protégée par un dispositif à courant différentiel résiduel (RCD).** L'usage d'un RCD réduit le risque de choc électrique.

SÉCURITÉ DES PERSONNES

1. **Rester vigilant, regarder ce que vous êtes en train de faire et faire preuve de bon sens dans votre utilisation de l'outil. Ne pas utiliser un outil lorsque vous êtes fatigué ou sous l'emprise de drogues, d'alcool ou de médicaments.** Un moment d'inattention en cours d'utilisation d'un outil peut entraîner des blessures graves des personnes.
2. **Utiliser un équipement de sécurité. Toujours porter une protection pour les yeux.** Les équipements de sécurité tels que les masques contre les poussières, les chaussures de sécurité antidérapantes, les casques ou les protections acoustiques utilisées pour les conditions appropriées réduiront les blessures de personnes.
3. **Éviter tout démarrage intempestif. S'assurer que l'interrupteur est en position arrêt avant de brancher l'outil au secteur et/ou au bloc de batteries, de le ramasser ou de le porter.** Porter les outils en ayant le doigt sur l'interrupteur ou brancher des outils dont l'interrupteur est en position marche est source d'accidents.
4. **Retirer toute clé de réglage avant de mettre l'outil en marche.** Une clé laissée fixée sur une partie tournante de l'outil peut donner lieu à des blessures de personnes.
5. **Ne pas se précipiter. Garder une position et un équilibre adaptés à tout moment.** Cela permet un meilleur contrôle de l'outil dans des situations inattendues.

6. **S'habiller de manière adaptée. Ne pas porter de vêtements amples ou de bijoux. Garder les cheveux, les vêtements et les gants à distance des parties en mouvement.** Des vêtements amples, des bijoux ou les cheveux longs peuvent être pris dans des parties en mouvement.
7. **Si des dispositifs sont fournis pour le raccordement d'équipements pour l'extraction et la récupération des poussières, s'assurer qu'ils sont connectés et correctement utilisés.** Utiliser des collecteurs de poussière peut réduire les risques dus aux poussières.

UTILISATION ET ENTRETIEN DE L'OUTIL

1. **Ne pas forcer l'outil. Utiliser l'outil adapté à votre application.** L'outil adapté réalisera mieux le travail et de manière plus sûre au régime pour lequel il a été construit.
2. **Ne pas utiliser l'outil si l'interrupteur ne permet pas de passer de l'état de marche à arrêt et vice versa. Tout outil qui ne peut pas être commandé par l'interrupteur est dangereux et il faut le réparer.**
3. **Débrancher la fiche de la source d'alimentation en courant et/ou le bloc de batteries de l'outil avant tout réglage, changement d'accessoires ou avant de ranger l'outil.** De telles mesures de sécurité préventives réduisent le risque de démarrage accidentel de l'outil.
4. **Conserver les outils à l'arrêt hors de la portée des enfants et ne pas permettre à des personnes ne connaissant pas l'outil ou les présentes instructions de le faire fonctionner.** Les outils sont dangereux entre les mains d'utilisateurs novices.
5. **Observer la maintenance de l'outil. Vérifier qu'il n'y a pas de mauvais alignement ou de blocage des parties mobiles, des pièces cassées ou toute autre condition pouvant affecter le fonctionnement de l'outil. En cas de dommages, faire réparer l'outil avant de l'utiliser.** De nombreux accidents sont dus à des outils mal entretenus.
6. **Garder affûtés et propres les outils permettant de couper.** Des outils destinés à couper correctement entretenus avec des pièces coupantes tranchantes sont moins susceptibles de bloquer et sont plus faciles à contrôler.
7. **Utiliser l'outil, les accessoires et les lames etc., conformément à ces instructions, en tenant compte des conditions de travail et du travail à réaliser.** L'utilisation de l'outil pour des opérations différentes de celles prévues pourrait donner lieu à des situations dangereuses.

MAINTENANCE ET ENTRETIEN

1. **Faire entretenir l'outil par un réparateur qualifié utilisant uniquement des pièces de rechange identiques.** Cela assurera le maintien de la sécurité de l'outil.

AUTRE NOTES IMPORTANT SUR LE SECURITE

Coupez l'alimentation avant de procéder à tout réglage ou entretien de la perceuse.

1. Conservez l'aire de travail dégagée. Une aire encombrée augmente le risque de blessures.
2. Conditions à considérer :
 - Protégez les outils de la pluie;
 - Utilisez les outils dans des endroits secs;
 - Assurez-vous de bien éclairer votre aire de travail (nous recommandons 500 lux.);
 - Tenez tout liquide ou gaz inflammable à l'écart de vos outils;
 - Assurez-vous d'avoir un accès facile à la prise de courant, à l'interrupteur principal et à ceux du moteur.
3. Prévention des décharges électriques : Évitez le contact physique avec les surfaces reliées à la terre (par exemple : un tuyau, un radiateur, une cuisinière, un réfrigérateur). La sécurité électrique peut être accrue en utilisant un dispositif à courant résiduel à grande sensibilité (30 mA/0,1 s).
4. Gardez toute personne à l'écart de l'aire de travail! Ne laissez pas une personne non qualifiée, plus particulièrement un enfant, toucher l'outil ou le câble de rallonge.
5. Rangez les outils dont vous ne vous servez pas dans un endroit sec, loin de la portée des enfants. Verrouillez-le.
6. Ne forcez pas la perceuse. Elle fonctionnera mieux et sera plus sécuritaire si vous l'utilisez convenablement.
7. Utilisez le bon outil :
 - Utilisez des outils robustes pour effectuer des travaux importants;
 - Utilisez cet outil seulement selon son utilisation prévue. Par exemple, n'utilisez pas la perceuse pour la coupe de bois.
8. Portez des vêtements adéquats :
 - Laissez les vêtements amples et les bijoux de côté, ils pourraient se prendre entre les pièces mobiles;
 - Portez des chaussures à semelles antidérapantes lorsque vous travaillez à l'extérieur;

- Couvrez vos cheveux longs pour réduire le risque d’emmêlement.
9. Portez de l’équipement de protection lors de l’utilisation de cette perceuse :
 - Portez des lunettes de protection pour protéger vos yeux des débris;
 - Utilisez une protection auditive;
 - Portez un masque durant les travaux de coupe pour vous protéger de la poussière;
 - Portez des gants de protection pour protéger vos mains des débris et des copeaux.
 10. Évitez de toucher les copeaux et de vous approcher de l’aire de coupe ou de la fraise lorsque la perceuse est en marche.
 11. Branchez un dispositif d’aspiration de poussière si possible. Assurez-vous qu’il soit bien utilisé et qu’il soit correctement branché.
 12. Prenez soin du câble : débranchez-le adéquatement de la fiche. Gardez-le à l’écart de toute source de chaleur, de l’huile et des surfaces coupantes.
 13. Immobilisez les pièces travaillées. Se servir de serre-joints ou d’un étau est plus sécuritaire que d’utiliser vos mains. Soyez stable et gardez votre équilibre en tout temps. Ne déviez pas de votre posture!
 14. Prenez soin de vos outils :
 - Gardez les outils de coupe aiguisés et propres pour des performances accrues et pour assurer votre sécurité;
 - Vérifiez régulièrement l’usure et tout dommage causé à la perceuse;
 - Assurez-vous que la perceuse est propre et exempte de tout débris avant de l’utiliser;
 - Suivez les directives pour la lubrification et le changement d’accessoires;
 - Inspectez le câble de la perceuse périodiquement afin de déceler tout dommage. Le cas échéant, adressez-vous à un service d’entretien Walter Technologies pour surfaces inc. autorisé pour toute réparation;
 - Inspectez les câbles de rallonge périodiquement et remplacez ceux qui sont endommagés;
 15. Débranchez la perceuse lorsque vous ne l’utilisez pas, pendant l’entretien et lors du changement d’accessoires tels que les fraises annulaires.
 16. Évitez de démarrer la perceuse involontairement. Assurez-vous que l’aimant n’est pas sous tension avant de brancher la perceuse.
 17. Utilisez des câbles de rallonge conçus pour l’extérieur lorsque vous y travaillez.
 18. **ATTENTION!** Les vibrations émises par la perceuse en marche peuvent différer des valeurs de vibration données selon la façon dont elle est utilisée.
 19. Soyez alerte! Regardez ce que vous faites, utilisez votre jugement et n’utilisez pas la perceuse en cas de fatigue. N’UTILISEZ PAS la perceuse si vous avez consommé de l’alcool ou TOUTE substance illégale.
 20. Attention! L’utilisation de tout accessoire non recommandée dans ce manuel d’utilisation peut représenter un risque de blessure.
 21. Faites réparer votre perceuse par un technicien qualifié Walter Technologies pour surfaces inc. Cet outil électrique est conforme aux règles de sécurité pertinentes. Seules les personnes qualifiées, utilisant des pièces de rechange originales, devraient exécuter les réparations. Autrement, la sécurité de l’utilisateur est compromise.
 22. Ne projetez jamais d’eau ou de liquide inflammable sur la perceuse.

3) VIGNETTES D’INFORMATION



1



2



3



4

1. Se référer au manuel d’utilisation pour les problèmes de fonctionnement ou de sécurité en lien avec cet outil.
2. Jeter l’outil et ses composants électriques de façon sécuritaire.
3. Une protection pour les yeux doit être portée pendant l’utilisation de l’outil.
4. Des protecteurs antibruit doivent être portés pendant l’utilisation de l’outil.

4) SPÉCIFICATIONS

Capacité de perçage maximale dans l'acier 0,2/0,3C (Ø X PDC) = 2 po x 2 po

Alésage de l'arbre = 3/4" (19,05mm) Weldon

Moteur	
Tension	120V 50-60Hz
Capacité maximale normale	10 A
Électro-aimant	0.53 A
Taille	192mm de longueur 80mm de largeur
Puissance du champ magnétique à 20 °C sur des plaques d'un minimum de 25 mm d'épaisseur L'utilisation d'un matériel de moins de 25 mm d'épaisseur réduira progressivement la puissance magnétique. Si possible, un substitut devrait être placé sous l'aimant et la pièce à travailler pour obtenir l'épaisseur adéquate. Si cela n'est pas possible, une autre méthode d'immobilisation de l'outil doit être utilisée.	10000N
Dimensions générales	
Hauteur - minimale	179mm
Largeur (bouton-presseur inclus)	100mm
Longueur totale (garde incluse)	334mm
Poids net	11 kg (24.2lbs)
	Icecut MINI – 120V (39-D 050)

Des protecteurs antibruit et une protection pour les yeux doivent être portés pendant l'utilisation de l'outil. Porter des gants pour protéger vos mains pendant l'utilisation de l'outil.

La valeur totale de vibrations déclarée a été mesurée conformément à une méthode d'essai standard. Cette valeur peut être utilisée pour comparer des outils entre eux.

La valeur totale des vibrations énoncée pourrait également être utilisée dans une évaluation préliminaire à l'exposition. Les vibrations émises pendant l'utilisation de cet outil électrique peuvent varier de celles énoncées selon la manière dont est utilisé l'outil.

Le besoin d'établir des procédures pour assurer la sécurité de l'opérateur est basé sur l'estimation des risques dans des conditions d'utilisation réelles (tient en compte toutes les phases d'utilisation comme la durée d'utilisation, le moment où l'outil est éteint, le temps qu'il marche à vide et le temps de mise en marche).

Conçu pour l'alimentation électrique monophasée de 50 à 60 Hz C.A. uniquement.

NE PAS UTILISER SUR UNE PRISE D'ALIMENTATION CONTINUE

Ne pas utiliser votre perceuse magnétique sur une structure où du soudage à l'arc est en cours.

Le courant continu sera renvoyé vers l'aimant et causera des dommages irréparables.

AVERTISSEMENT : CET APPAREIL DOIT ÊTRE MIS À LA TERRE!

NB : TOUTE MODIFICATION À CET OUTIL ANNULERA LA GARANTIE

5) PROCÉDURES OPÉRATIONNELLES DE SÉCURITÉ

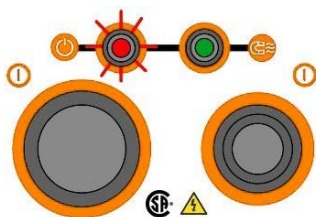
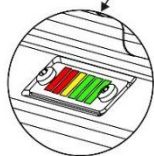
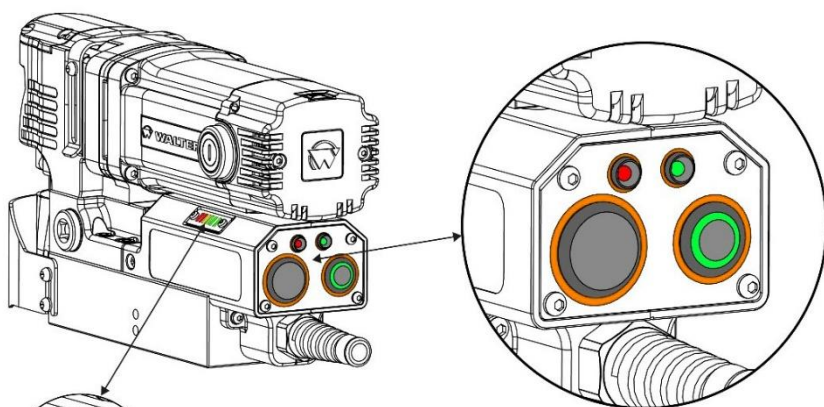
LIRE AVANT D'UTILISER L'OUTIL

- Pendant l'utilisation d'un outil électrique, les règles de sécurité de base devraient toujours être suivies afin de réduire les risques d'incendie, de décharge électrique et de lésion corporelle.
- S'assurer que l'aimant est éteint avant de le brancher dans l'outil.
- Ne pas utiliser dans des conditions humides ou mouillées. Faute de suivre ces instructions, des lésions corporelles pourraient être causées.
- Ne pas utiliser en présence de liquide inflammable, de gaz ou dans un environnement à haut risque. Faute de suivre ces instructions, des lésions corporelles pourraient être causées.
- Avant de mettre l'outil en marche, inspecter tous les câbles d'alimentation électrique (y compris les rallonges) et remplacer les câbles endommagés. Ne pas utiliser l'outil s'il présente des signes de dommages.
- Utiliser uniquement des rallonges appropriées aux conditions du site de travail.
- Avant de mettre l'outil en marche, vérifier que toutes les fonctions de tous les systèmes opérationnels fonctionnent, notamment les interrupteurs, l'aimant, etc.
- Avant de mettre l'outil en marche, l'outil doit avoir été solidement fixé à une surface indépendante avec une sangle de sécurité et avec des anneaux stationnaires. Placer les anneaux stationnaires dans le trou supérieur de l'aimant afin de réduire la possibilité de mouvement et empêcher que l'aimant ne se détache de la pièce à travailler. Faute de suivre ces instructions, des lésions corporelles pourraient être causées.
- Toujours porter des protecteurs pour les yeux, des protecteurs antibruit et l'EPI quand vous utilisez l'outil.
- Débrancher du courant au moment de changer les fraises ou d'entretenir l'outil.
- Les fraises et les copeaux sont coupants. S'assurer de protéger vos mains adéquatement pour changer les fraises ou pour retirer l'excédent de copeaux. Utiliser un outil ou un balai si nécessaire au moment de retirer les copeaux ou de changer la fraise de l'arbre.
- Avant d'utiliser l'outil, toujours s'assurer que les vis qui retiennent la fraise sont serrées suffisamment.
- Enlever régulièrement les copeaux et les saletés de la surface de travail, porter une attention particulière à la base de l'aimant.
- Ne jamais porter de cravate, de bague, de montre ou d'accessoires qui pourraient rester coincés dans le mécanisme rotatif de l'outil.
- Toujours s'assurer que les cheveux longs sont bien relevés et retenus par un filet approprié avant d'utiliser l'outil.
- Si la fraise reste coincée dans la pièce à travailler, couper le moteur immédiatement afin de prévenir les risques de lésions corporelles. Débrancher de la source d'alimentation et faire tourner l'arbre dans un mouvement de va-et-vient. Ne pas essayer de dégager la fraise en allumant et en éteignant le moteur. Porter des gants de sécurité pour retirer la fraise de l'arbre.
- Si la machine tombe accidentellement, examiner celle-ci attentivement à la recherche de tout signe de dommage et s'assurer qu'elle fonctionne correctement avant de poursuivre les opérations de perçage.
- Inspecter régulièrement la machine pour tout signe de dommage ou de pièce desserrée.
- S'assurer de toujours utiliser la machine dans une position inversée afin que seulement un minimum de liquide de refroidissement soit utilisé et ainsi veiller à ce qu'il n'y ait pas de liquide de refroidissement qui entre dans le moteur.
- Les outils de perçage peuvent briser en éclats, toujours s'assurer de bien placer la garde sur la fraise avant de mettre la machine en marche. Faute de suivre ces instructions, des lésions corporelles pourraient être causées.
- En terminant le perçage, une rondelle d'acier sera éjectée.
- Ranger la machine dans un endroit sûr.
- S'assurer que les réparations sont effectuées par un agent autorisé de chez Walter.

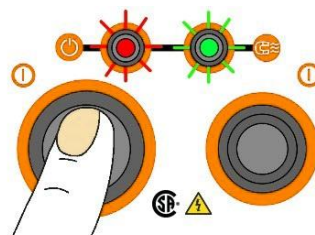
6) INSTRUCTIONS D'UTILISATION

- Maintenir l'intérieur de la fraise libre de copeaux. Ils bouchent la profondeur utile de la fraise.
- S'assurer que la bouteille de liquide de refroidissement contient une quantité suffisante pour terminer l'opération de perçage. Remplir au besoin.
- Abaisse la tige, de temps en temps, afin d'assurer que le liquide de coupe est dosé correctement.
- Pour démarrer la machine, suivre les instructions de fonctionnement du panneau de contrôle.
- La machine ICECUT est dotée d'un système de protection double du moteur afin d'assurer la sécurité et la durée de vie du moteur. La technologie « ACCUDRILL » (qui se trouve sur le panneau de contrôle) offre à l'utilisateur une indication claire et visible de la quantité de pression qui est appliquée sur le moteur. Une fois que le niveau de pression recommandé est dépassé, le moteur s'éteint automatiquement pour se protéger. Pour redémarrer la machine, l'opérateur devra simplement appuyer de nouveau sur le bouton démarrer (bouton bleu de taraudage si le mode de protection s'active pendant le taraudage). Si le contrôleur de vitesse est activé, le détecteur de pression à un niveau prédéterminé en plus de la technologie ACCUDRILL (si l'ACCUDRILL ne fonctionnait pas), l'opérateur devrait appuyer deux fois sur le bouton de démarrage pour remettre en marche.
- Toujours éteindre le moteur en relâchant le bouton de démarrage et d'arrêt vert ou le bouton bleu, selon l'opération en cours. Ne pas éteindre le moteur en appuyant sur l'interrupteur de l'électroaimant.
- Appliquer une légère pression quand vous commencez le perçage d'une ouverture jusqu'à ce que la fraise soit introduite dans la surface de travail. La pression peut alors être augmentée suffisamment pour charger le moteur. Une pression excessive est indésirable, elle n'augmente pas la vitesse de pénétration et peut entraîner un arrêt du moteur causé par le système de protection de surcharge (le moteur peut être redémarré en appuyant sur le bouton de mise en marche du moteur). Une surcharge peut causer une chaleur excessive ce qui causerait, à son tour, l'éjection irrégulière de la rondelle d'acier.
- Toujours s'assurer que la rondelle d'acier de l'ouverture précédente a été éjectée avant de commencer un nouveau perçage.
- Si la rondelle d'acier colle à la fraise, placer la machine sur une surface plane, activer l'aimant et lentement faire descendre la fraise jusqu'à ce qu'elle entre en contact avec la surface. Généralement, cela redresse la rondelle d'acier croche et permet de l'éjecter normalement.
- Appliquer régulièrement une petite quantité de lubrifiant à l'huile sur la glissière.
- Les bris de fraises sont généralement causés par des ancrages desserrés ou par un mauvais ajustement de la glissière. (Se référer aux instructions d'entretien de routine.)
- Utiliser uniquement un liquide de coupe approuvé. Les liquides de coupe de Walter ont été spécialement formulés pour maximiser les performances des fraises.

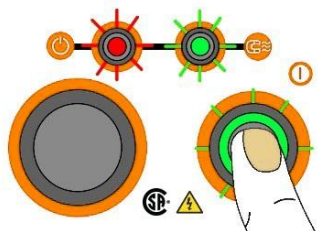
7) OPÉRATIONS DU PANNEAU DE CONTRÔLE



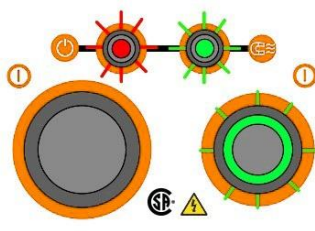
1) Alimentation électrique
Lorsque la perceuse est branchée à une source de courant, le voyant DEL ROUGE s'illumine.



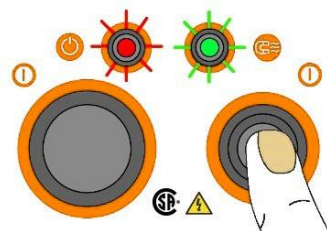
2) Activation de l'aimant
Pour ACTIVER ou DÉACTIVER l'aimant, appuyez sur le grand bouton du panneau de commande. Le voyant DEL s'illuminera en VERT ou en ROUGE selon l'épaisseur du matériau.



3) Mise en marche du moteur
Appuyez sur le bouton VERT pour démarrer le moteur. Procédez au perçage en suivant toutes les consignes de sécurité.

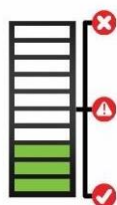


4) Perçage
Voir ci-dessous pour obtenir plus d'information sur l'indicateur visuel ACCUDRILL^{MC}.



5) Arrêt du moteur
Pour couper le moteur, appuyez sur le bouton VERT. Le moteur s'arrêtera, mais l'aimant restera actif. Le bouton VERT s'éteindra.

Technologie ACCUDRILL^{MC}



Zone verte
Parfait, essayez de vous maintenir dans la zone verte pour un meilleur perçage et une performance optimale de la machine.



Zone jaune
Un peu trop de pression sur la perceuse, relâchez légèrement pour revenir à la zone verte.



Zone rouge
Surcharge : Relâchez la pression immédiatement, car un arrêt du moteur s'en suivra.

Technologie ACCUDRILL^{MC}

Elle a été conçue pour que vous obteniez le maximum de votre machine et de vos fraises. ACCUDRILL^{MC} possède un panneau, facile à lire, qui vous indique quand vous percez en appliquant une trop forte pression. Une telle utilisation endommagera la machine et les fraises. Permettez à la perceuse de faire son travail et vous réaliserez que le perçage se fait plus facilement et plus rapidement.

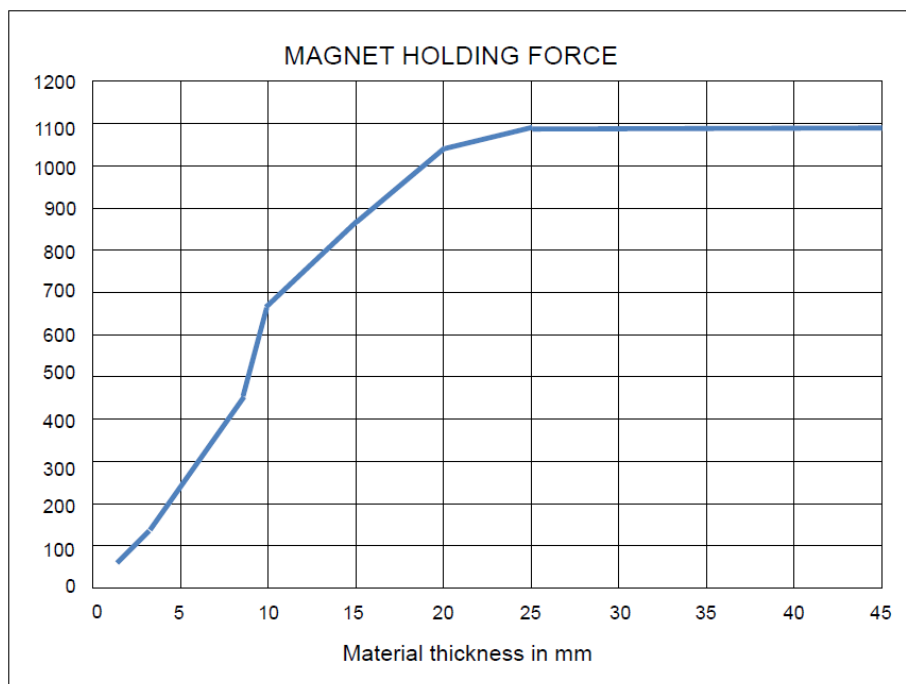
8) SÉLECTION DE VITESSES

La perceuse magnétique ICECUT MINI est dotée d'une boîte à une vitesse, avec sélecteur de vitesses variable. Elle sert à réduire la vitesse de rotation lors de l'utilisation de plus grandes fraises.

Position du sélecteur à curseur	Réglages du régulateur de vitesse					
	Position 1	Position 2	Position 3	Position 4	Position 5	Position 6
RPM	250/min	300/min	350/min	400/min	450/min	500/min

9) DÉTECTEUR MAGNÉTIQUE

Il est recommandé d'ajouter un substitut pour augmenter l'épaisseur du matériau sous l'aimant quand vous travaillez sur un matériau trop mince. Travailler sur un matériau trop mince sans ajouter un substitut réduira la force de retenue de l'aimant. Il est recommandé d'utiliser la perceuse sur des matériaux ferreux ayant une épaisseur de 12 mm ou plus. Les dommages à la base magnétique, comme la corrosion, affecteront la force de retenue de l'aimant.



10) CHOIX DE LA RALLONGE

Les machines sont montées en usine avec un câble de 3m doté de trois connecteurs : PHASE, NEUTRE et MISE DE TERRE de 12AWG. Si l'utilisation d'une rallonge depuis la source d'alimentation s'avère nécessaire, il est indispensable de choisir un câble avec une capacité adéquate. Dans le cas contraire, la traction de l'aimant et la puissance du moteur seront réduites.

Pour alimentation 120V: 3 mètres (11.5 pieds) de 3-core x 14AWG

VEILLEZ À TOUJOURS COUPER L'ALIMENTATION DE LA MACHINE AVANT DE CHANGER LES FRAISES.

11) MONTAGE DES FRAISES

- La machine a été conçue pour recevoir des fraises ayant des tiges Weldon ou universel de 19,05 mm (3/4 po).

Voici la procédure à suivre pour le montage des fraises :

- Couchez la machine sur le côté, les poignées dans la position la plus haute de façon à ce que l'arbre se retrouve au point le plus bas pour permettre l'accès aux vis à tête creuse (48S217).
- Placez la tige de centrage appropriée dans le trou de la tige de la fraise. Insérez la tige de la fraise dans l'alésage de l'arbre de façon à ce que les deux méplats soient alignés avec les deux vis à tête creuse.
- Serrez les deux vis à l'aide d'une clé hexagonale.

12) SOLUTIONS AUX PROBLÈMES DE PERÇAGE

<i>Problème</i>	<i>Cause</i>	<i>Solution</i>
1) La base magnétique ne fixe pas bien la pièce à travailler	<p>Le matériel à percer est peut-être trop fin pour être fixé.</p> <p>Des copeaux ou des saletés sont coincés sous l'aimant.</p> <p>La pièce à travailler ou la surface de contact de l'aimant présentent des anomalies.</p> <p>Le courant allant à l'aimant pendant les opérations de perçage est insuffisant.</p>	<p>Attacher une pièce de métal supplémentaire sous l'aimant ou fixer mécaniquement la base magnétique à la pièce à travailler.</p> <p>Nettoyer l'aimant.</p> <p>Être extrêmement prudent et limer la surface jusqu'à ce qu'elle soit complètement lisse.</p> <p>Vérifier l'alimentation et la puissance de sortie de l'unité de commande et examiner le câble d'alimentation.</p>
2) La fraise se déplace du poinçon central au début du fraisage	<p>La pièce à travailler n'est pas correctement fixée sur la base magnétique.</p> <p>Le porte-fraise ou l'éjecteur de collet sont abîmés.</p> <p>La pression d'alimentation au début du découpage est trop forte.</p> <p>La fraise est ébréchée, abîmée ou mal taillée.</p> <p>Mauvais poinçon central, ressort de centrage abîmé, ou ressort décalé par rapport au poinçon central.</p> <p>La tige est abîmée ou tordue ou l'encoche de la tige est abîmée.</p> <p>Les boulons du support de la bague moteur ou du corps de la machine sont desserrés ou les vis de réglages du support de glissière sont desserrés.</p>	<p>Se référer à la résolution précédente.</p> <p>Changer le porte-fraise.</p> <p>Pour percer une rainure, une légère pression suffit. La rainure sert ensuite de stabilisateur.</p> <p>Remplacer la ou les pièces endommagées.</p> <p>Corriger la position du poinçon central ou remplacer les pièces abîmées.</p> <p>Remplacer la ou les pièces endommagées.</p> <p>Resserrer aux endroits nécessaires.</p>
3) Une pression excessive est nécessaire lors des opérations	<p>La fraise est mal taillée, abîmée ou ébréchée.</p> <p>La surface de la pièce à travailler est recouverte de copeaux.</p>	<p>Tailler la fraise à nouveau ou la remplacer.</p> <p>Ne pas commencer à percer sur une pièce recouverte de copeaux.</p>

	<p>Les supports de glissières sont mal ajustés ou mal lubrifiés.</p> <p>Accumulation de copeaux à l'intérieur de la fraise.</p>	<p>Régler les vis d'arrêt et les lubrifier.</p> <p>Nettoyer la fraise.</p>
4) La fraise se casse trop fréquemment	<p>Des copeaux de métaux ou des saletés sont coincés sous la fraise.</p> <p>La fraise est mal aiguisée ou abîmée.</p> <p>La fraise saute.</p> <p>Les glissières doivent être ajustées.</p> <p>La fraise n'est pas correctement fixée au porte-fraise.</p> <p>Il n'y a pas suffisamment d'huile lors des opérations de perçage ou le mauvais type d'huile a été utilisé.</p> <p>La vitesse d'utilisation n'est pas appropriée.</p>	<p>Ôter la fraise, la nettoyer en profondeur et la replacer.</p> <p>Utiliser les instructions et comparer la fraise en cours d'utilisation à une fraise neuve pour s'assurer que la fraise en cours d'utilisation est en bon état.</p> <p>Se reporter aux causes et aux solutions du problème (2).</p> <p>Resserrer les vis de blocage qui soutiennent les glissières.</p> <p>Resserrer la fraise.</p> <p>Verser de l'huile à faible viscosité dans la bague de lubrification et vérifier que la dose appropriée arrive à la fraise lorsque la tige descend. Si ce n'est pas le cas, vérifier qu'il n'y a pas de saleté à l'intérieur de la rainure de départ et du porte-fraise ou appliquer l'huile à l'extérieur (une petite quantité d'huile suffit).</p> <p>S'assurer qu'un équipement compatible avec la fraise est utilisé.</p>
5) La fraise s'abîme trop vite	<p>Voir les causes et les solutions précédentes.</p> <p>La fraise est mal taillée.</p> <p>La pression de perçage est insuffisante ou irrégulière.</p>	<p>Se référer aux instructions et comparer l'état de la fraise en cours d'utilisation avec une fraise neuve.</p> <p>Appliquer une pression constante pour ralentir la perceuse et ainsi obtenir une vitesse de perçage optimal et éviter l'accumulation de copeaux.</p>

13) DIAGNOSTIC DE PANNE

L'aimant et le moteur ne fonctionnent pas	<ul style="list-style-type: none"> — L'interrupteur de l'électro-aimant n'est pas connecté à la source d'alimentation — Le câblage est endommagé ou défectueux — Le fusible est défectueux — L'interrupteur de l'électro-aimant est défectueux — L'unité de commande est défectueuse — La source d'alimentation est défectueuse
L'aimant fonctionne, mais pas le moteur	<ul style="list-style-type: none"> — Le câblage est endommagé ou défectueux — Les brosses au carbone sont coincées ou abîmées — L'interrupteur de l'électro-aimant est défectueux — Le commutateur marche/arrêt est défectueux — L'unité de commande est défectueuse — L'armature ou le champ sont défectueux — Le commutateur à lames protecteur est défectueux
Le moteur fonctionne, mais pas l'aimant	<ul style="list-style-type: none"> — L'aimant est défectueux — Le fusible est défectueux — L'unité de commande est défectueuse

Les fraises de perçage se cassent rapidement et les trous sont plus gros que les fraises	<ul style="list-style-type: none"> — Il y a du jeu dans la poignée — La broche est tordue — L'arbre du moteur est tordu — La tige est tordue
Le moteur a du mal à tourner ou se bloque	<ul style="list-style-type: none"> — La broche est tordue — L'arbre du moteur est tordu — La poignée en triangle n'a pas été montée droite — Des saletés sont coincées entre la broche et la poignée en triangle
Le moteur émet un cliquetis	<ul style="list-style-type: none"> — La bague de l'engrenage (au bas de l'armature) est usée — Les engrenages sont abîmés — Il n'y a pas de graisse dans la boîte d'engrenages
Le moteur émet un bourdonnement ou produit des grosses étincelles ou n'a pas de puissance	<ul style="list-style-type: none"> — L'armature est endommagée — Le champ est brûlé — Les brosses au carbone sont abîmées
Le moteur ne démarre pas ou est en panne	<ul style="list-style-type: none"> — Le câblage est défectueux ou endommagé — L'armature ou la bobine de champ sont endommagées — Les brosses sont endommagées ou défectueuses
La poignée est difficile à actionner	<ul style="list-style-type: none"> — La poignée est trop serrée — La poignée n'est pas graissée — Le système de poignée/engrenage-socle de fixation/rotation est endommagé ou sale
La force magnétique est insuffisante	<ul style="list-style-type: none"> — Le câblage est endommagé ou défectueux — Le dessous de l'aimant est sale ou mal graissé — La surface du dessous de l'aimant n'est pas uniforme — La pièce à travailler n'est pas en métal nu — La pièce à travailler n'est pas plate — La pièce à travailler est trop fine (moins de 10 mm) — L'unité de commande est défectueuse — L'aimant est défectueux
Le châssis est sous tension	<ul style="list-style-type: none"> — Le câblage est endommagé ou défectueux — L'aimant est défectueux — Le moteur est très encrassé
Le fusible saute lorsque l'aimant est allumé	<ul style="list-style-type: none"> — Le câblage est endommagé ou défectueux — L'intensité du fusible n'est pas la bonne — L'interrupteur de l'électro-aimant est défectueux — L'unité de commande est défectueuse — L'aimant est défectueux
Le fusible saute lorsque le moteur démarre	<ul style="list-style-type: none"> — Le câblage est endommagé ou défectueux — L'intensité du fusible n'est pas la bonne — Le moteur a du mal à tourner — L'armature ou le champ sont défectueux — Les brosses au carbone sont abîmées — L'unité de commande est défectueuse
Le système de rotation est en roue libre pendant trop longtemps	<ul style="list-style-type: none"> — Le socle de fixation est desserré ou défectueux — Le système de rotation est défectueux

14) ENTRETIEN

Afin d'assurer une durée de vie maximale à votre machine Walter, maintenez-la en bon état.

Certaines pièces de votre machine Walter doivent toujours être examinées.

Avant toute utilisation de la machine, assurez-vous que la machine fonctionne normalement et qu'elle ne présente aucun dommage ou aucune pièce desserrée. Si une pièce est desserrée, elle doit être ajustée.

Avant de procéder à une quelconque opération d'entretien, assurez-vous que l'alimentation électrique est coupée.

Description	À chaque utilisation	Chaque semaine	Chaque mois
Vérification visuelle de l'état général de la machine	X		
Utilisation de la machine	X		
Vérification de l'usure des brosses		X	
Vérification de la base magnétique	X		
Vérification de l'alignement de la machine			X
Vérification de la graisse			X
Vérification de l'armature			X

Vérification visuelle de l'état général de la machine

Avant chaque mise en service, assurez-vous que la machine ne présente aucun signe de dommage qui pourrait affecter son utilisation. Il est important de prêter une attention particulière au câble d'alimentation. Si la perceuse présente un quelconque dommage, elle ne devrait en aucun cas être utilisée. Dans le cas contraire, des risques de blessures ou de mort sont encourus.

Vérification du fonctionnement de la machine

Vérifiez que tous les composants de la machine fonctionnent correctement lorsque la machine est en marche.

Vérification des brosses

Vérifiez que les brosses ne sont pas anormalement usées (cette vérification doit être effectuée au moins une fois par semaine si la machine est fréquemment utilisée). Si la brosse a raccourci de plus de 2/3 de sa taille originale, elle devrait être changée. Dans le cas contraire, la machine pourrait subir des dommages.

Vérification de la base magnétique

Avant chaque utilisation, assurez-vous que la base magnétique est uniformément plate et qu'elle ne présente aucun dommage. Si la surface de la base magnétique n'est pas uniforme, l'aimant ne pourra pas fonctionner efficacement et l'opérateur pourrait être blessé.

Ajustement de la glissière et de l'alignement du support de roulement

Il est essentiel que la glissière puisse être déplacée facilement, qu'elle ne bouge pas latéralement et qu'elle ne vibre pas.

Pour que ces conditions soient respectées, il est possible d'ajuster périodiquement la glissière de la façon suivante :

1. Placer la machine en position relevée, puis à l'aide du bouton-pressoir, faire glisser la glissière jusqu'à sa position la plus haute. Nettoyer le support de glissière en laiton et appliquer une petite quantité d'huile légère adaptée à la machine sur les surfaces abîmées.

2. Faire alors descendre la glissière jusqu'à sa position la plus basse. Déplacer la glissière au centre du boîtier en queue d'aronde pour permettre au support de roulement de l'arbre de bouger librement.
3. En commençant par les vis du milieu, visser jusqu'à ce que les vis opposent une faible résistance.
4. Déplacer la glissière de haut en bas plusieurs fois pour vérifier le mouvement et faire les ajustements nécessaires. Essayer de faire en sorte que toutes les vis exercent une pression uniforme sur la glissière de haut en bas. Une glissière parfaitement ajustée pourra se déplacer librement de haut en bas sans aucun mouvement latéral.
5. Déplacer la glissière jusqu'à sa position la plus haute. Desserrer légèrement le support de roulement de l'arbre, puis serrer les vis manuellement.
6. Placer la machine sur une plaque en acier. Ensuite, brancher la machine et mettre l'aimant en marche. Démarrer le moteur. Si l'arbre n'est pas bien aligné, le support de roulement de l'arbre oscillera. Faire les ajustements nécessaires et s'assurer que les broches sont correctement alignées, puis serrer les vis à l'aide d'une clé. Finalement, serrer le support de roulement de l'arbre.

Vérification de la graisse de la perceuse

Vérifiez les composants de la boîte d'engrenages une fois par mois et assurez-vous qu'ils sont tous recouverts de graisse pour éviter leur usure. Pour profiter au maximum de l'efficacité de la perceuse, la graisse devrait être changée au moins une fois par an.

Vérification de l'armature de la machine

Assurez-vous que la machine et le commutateur ne présentent aucun signe de dommage. Cette vérification devrait être effectuée au moins une fois par mois. Le commutateur peut présenter des signes d'usure au bout d'un certain temps, ceci n'est pas anormal (c'est la partie qui est en contact avec les brosses). Cependant, s'il présente des dommages anormaux, il devrait être remplacé.

15) GARANTIE

Walter garantit que ses machines sont fournies sans pièces défectueuses, sous condition que l'utilisation de la machine soit normale pendant une période de douze mois à compter de la date d'achat. Toutes les autres pièces (à part les fraises) sont garanties pendant 90 jours, sous condition que la carte d'enregistrement de la garantie (ou l'enregistrement en ligne) ait été remplie et remise à Walter ou à l'un de ses distributeurs désignés dans les 30 jours suivant la date d'achat de la machine. Dans le cas contraire, la garantie ne sera pas valable. Si ces conditions sont respectées, Walter prendra en charge le remplacement ou la réparation (à sa discrétion) des pièces défectueuses.

Cette garantie ne prend pas en charge :

1. Les composants sujets à une usure normale ou à une usure due à une utilisation de la machine qui n'est pas mentionnée dans le manuel d'utilisation.
2. Les défauts de l'outil causés par une utilisation inappropriée de la machine ou non conforme aux instructions, des conditions environnementales anormales, une utilisation impropre et excessive ou un entretien insuffisant.
3. Les défauts causés par l'utilisation d'accessoires, de composants ou de pièces de rechange qui ne sont pas des pièces Walter.
4. Les outils auxquels des changements ont été apportés.
5. Les composants électriques sont couverts par la garantie du fabricant.

Vous pouvez vous enregistrer en ligne à l'adresse www.walter.com

La réclamation doit être effectuée pendant la période de garantie de la machine. Pour cela, l'outil en question doit être présenté ou envoyé au complet avec le reçu d'origine sur lequel figure la date d'achat du produit. Un formulaire de réclamation doit être soumis avant de retourner le produit.

Ce formulaire est disponible en ligne à l'adresse www.walter.com. Si ce formulaire n'est pas rempli, le traitement de votre demande sera ralenti.

Les pièces défectueuses doivent être retournées à Walter en port payé. Walter ne peut être en aucun cas tenu responsable d'une perte ou de dommages directs ou indirects consécutifs à l'envoi.

CETTE GARANTIE A PRÉSÉANCE SUR TOUTES LES AUTRES GARANTIES (ÉCRITES OU IMPLICITES) Y COMPRIS LA GARANTIE MARCHANDE OU SA CONFORMITÉ À UN USAGE PARTICULIER. WALTER SE RÉSERVE LE DROIT D'APPORTER DES MODIFICATIONS OU DES AMÉLIORATIONS À SES PRODUITS SANS PRÉAVIS.

« TOUJOURS MIEUX »^{MD}



WALTER

Surface Technologies

ICECUT™

Unidades de perforación para base magnética

ICECUT MINI

39-D 050 (120V)

Esta máquina está certificadas por CSA.



Gracias por comprar el taladro magnético ICECUT MINI bajo perfil de Walter.
Realmente, apreciaremos sus comentarios sobre la máquina.

Otros productos relacionados de Walter:



Contacte Walter Surface Technologies

Canadá (Acceso gratuito): +1-888-592-5837
EE. UU. (Acceso gratuito): +1-866-592-5837
México: (81) 11 12-5875

Email: csr@walter.com

O visite: www.walter.com

ÍNDICE

SECCIÓN		PÁGINA
1)	USO PREVISTO	35
2)	NORMAS GENERALES DE SEGURIDAD	35
3)	INFORMACIÓN DE SÍMBOLOS EN LA PLACA	37
4)	ESPECIFICACIONES	38
5)	PROCEDIMIENTOS DE SEGURIDAD OPERATIVA	39
6)	INSTRUCCIONES DE USO	39
7)	OPERACIÓN DEL PANEL DE CONTROL	40
8)	SELECCIÓN DE VELOCIDAD	41
9)	DETECCIÓN DEL IMÁN	42
10)	SELECCIÓN DEL CABLE EXTENSOR	42
11)	MONTAJE DE BROCAS	43
12)	SOLUCIONES PARA PROBLEMAS DE PERFORACIÓN	43
13)	SOLUCIÓN DE PROBLEMAS	44
14)	MANTENIMIENTO	45
15)	DECLARACIÓN DE GARANTÍA	47
16)	ICECUT MINI - VISTA DE LA MÁQUINA EN DESPIECE	48
17)	ICECUT MINI - VISTA DEL MOTOR EN DESPIECE	52
18)	ICECUT MINI - PIEZAS Y LISTA DEL PANEL DE CONTROL	53
19)	ICECUT MINI - DIAGRAMA DE CABLEADO	54

Incluido con su taladro magnético
Manija de trinquete
Correa de seguridad
Llave hexagonal de 4mm (x2)
Botella de refrigerante
Gafas de seguridad
1 x Par de escobillas de carbono de repuesto – 120V

1) USO PREVISTO

El uso previsto de este taladro magnético es perforar agujeros en metales ferrosos. Se utiliza el imán para mantener al taladro en su lugar mientras está funcionando. Está diseñado para uso en fabricación, construcción, ferrocarriles, petroquímicas y otras aplicaciones en las que se taladre metales ferrosos. Cualquier desviación de su uso previsto no se cubrirá por la garantía.

2) NORMAS GENERALES DE SEGURIDAD

¡ADVERTENCIA! LEA Y COMPRENDA TODAS LAS INSTRUCCIONES. Al usar herramientas eléctricas debe seguir ciertas precauciones básicas para reducir el riesgo de incendio, descarga eléctrica y lesiones personales incluyendo las siguientes. Por favor, lea todas las instrucciones antes de usar la máquina. No utilice nunca una herramienta sin los dispositivos de protección (RCD).

1. Desconecte de la fuente de alimentación antes de realizar cualquier ajuste, reparación o mantenimiento.
2. Mantenga limpia y despejada el área de trabajo. El desorden invita a accidentes
3. Considere el ambiente de trabajo;
 - No exponga las herramientas a la lluvia.
 - No use herramientas en lugares húmedos o mojados.
 - Mantenga bien iluminada su área de trabajo (se recomienda 500 Lux).
 - No use herramientas en presencia de líquidos o gases inflamables.
 - Asegúrese de que haya suficiente espacio para acceder al enchufe, red e interruptores de encendido y apagado.
4. Protéjase contra descargas eléctricas:
 - Evite el contacto corporal con superficies conectadas a tierra (ejemplo; tuberías, radiadores, cocinas y refrigeradores). Se puede mejorar mucho más la seguridad eléctrica usando un dispositivo de corriente residual de alta sensibilidad (30 mA/0.1s) (RCD).
5. Mantenga alejadas a las personas. No permita que personas no capacitadas, especialmente niños, toquen la herramienta o el cable extensor y manténgalos lejos de la zona de trabajo.
6. Almacene las herramientas en desuso. Todas las herramientas deben guardarse en un lugar seco y bajo llave, fuera del alcance de los niños.
7. No aplique demasiada fuerza sobre la máquina. Trabjará mejor y más seguro para las tareas que fue diseñada.
8. Use la herramienta correcta;
 - No fuerce máquinas pequeñas para hacer el trabajo de una herramienta de trabajo pesado.
 - No use esta herramienta para trabajos que no fue diseñada, por ejemplo: no la use para cortar troncos de árboles.
9. Vístase apropiadamente;
 - No use ropa o joyas sueltas; pueden atascarse en las piezas móviles.
 - Se recomienda calzado antideslizante cuando trabaje al aire libre.
 - Use una redecilla o gorra para el cabello largo, esto reduce el riesgo de enganches.
 - Use gafas de seguridad para prevenir que desechos dañen los ojos.
 - Use protectores o tapones auditivos.

- Use máscara facial o antipolvo si el corte genera polvillo.
10. Use guantes protectores para evitar que virutas u otros residuos dañen la piel.
 11. Asegúrese de conservar una distancia segura cuando use el taladro para evitar que cualquier viruta cerca de la zona de corte o cerca de la broca cuando la máquina funcionando.
 12. Conecte el equipo aspirador y recolector de polvo, si los tiene, asegurándose que estén bien conectados.
 13. No maltrate el cable. Nunca tire de él para desconectarlo del tomacorrientes. Mantenga el cable alejado del calor, aceite y bordes filosos.
 14. Siempre que sea posible, asegure la pieza a trabajar con abrazaderas o tornillo. Es más seguro que usar su mano.
 15. ¡No se extralimite! Manténgase firmemente de pie y en equilibrio en todo momento.
 16. Mantenga las herramientas bien cuidadas;
 - Mantenga las herramientas de corte afiladas y limpias para su mejor performance.
 - Controle regularmente la máquina por cualquier desgaste o daño.
 - Asegúrese que la máquina esté limpia y sin residuos de trabajos previos.
 - Desconecte de la red antes de cualquier mantenimiento.
 - Siga las instrucciones para lubricar y cambiar accesorios
 - Verifique los cables periódicamente y si están dañados hágalos reparar por algún servicio de Walter autorizado.
 - Verifique los cables de extensión periódicamente y reemplace si están dañados.
 - Mantenga secos, limpios y sin grasa los mangos.
 17. Desconecte las herramientas de la red de energía cuando no las use, antes de hacerles un servicio o cuando cambie accesorios como por ejemplo las brocas.
 18. Acostúmbrase a controlar que las llaves de ajuste no estén en la máquina, antes de encenderla.
 19. Evite el encendido accidental. Asegúrese que el imán esté apagado antes de conectar la máquina.
 20. Cuando necesite usar la máquina al exterior, use cables de extensión diseñados exclusivamente para el uso al exterior.
 21. Las emisiones de vibraciones durante el uso de la máquina, pueden diferir del valor total declarado, dependiendo de la manera en que se utiliza la herramienta.
 22. Preste atención a lo que está haciendo, utilice el sentido común y no opere la herramienta cuando esté cansado. No opere la herramienta bajo la influencia de alcohol o cualquier sustancia ilegal.
 23. Revise las piezas dañadas.
 - Antes de usar la herramienta, revise con cuidado si sus partes funcionan correctamente y si cumplen su función.
 - Verifique la alineación de las piezas móviles, si están atascadas, rotura de piezas, montaje y cualquier otra condición que pueda afectar su operatividad.
 - Un protector u otra pieza dañada debe ser reparada correctamente o reemplazada por un servicio autorizado, al menos que se indique lo contrario en el manual de instrucciones.
 - Haga cambiar los interruptores en un centro de servicios autorizado.
 - No use la herramienta si no funciona el interruptor de encendido y apagado.

24. El uso de cualquier accesorio o agregado que no sea recomendado en este manual instructivo, puede crear un riesgo de lesiones personales.
25. Haga reparar su máquina por un técnico calificado de Walter. Esta herramienta eléctrica cumple con normas de seguridad pertinentes. Sólo personas calificadas que utilizan piezas de repuesto originales pueden realizar las reparaciones, de lo contrario esto puede resultar en un peligro considerable para el usuario.
26. No opere nunca la máquina si le faltan piezas o están dañadas.
27. Nunca dirija chorros de agua ni líquidos inflamables sobre el taladro.
28. El operario debe ser físicamente capaz de manejar el peso de la máquina.
29. El operario debe estar capacitado en el uso de la máquina.

3) INFORMACIÓN DE SÍMBOLOS EN LA PLACA

**1****2****3****4**

1. Consulte el manual del usuario operaciones y problemas de seguridad con respecto a esta máquina.
2. Desechar la máquina y sus componentes eléctricos de forma correcta.
3. Debe usar protección ocular cuando opere la máquina.
4. Debe usar protección auditiva cuando opere la máquina.

4) ESPECIFICACIONES

Capacidad máxima de perforación en acero .2/.3Cl (\emptyset X DoC) = 2" x 2"

Eje adaptador = 3/4" (19.05mm) Weldon

Unidad del motor	
Voltajes	120V 50-60Hz
Carga completa normal	10 A
Electro Imán	0.53 A
Tamaño	192mm largo 82mm grande
Fuerza de retención a 20°C con chapa de espesor mín. de 25mm El uso de cualquier otro material de menos de 25 mm de espesor, reduce progresivamente la performance del imán. Si es posible, debe colocarse un material sustituto debajo del imán y de la pieza de trabajo para lograr el espesor adecuado del material. Si no fuera posible, debe utilizarse un método alternativo seguro para contener a la máquina.	10000N
Dimensiones totales	
Altura- mínima	179mm
Ancho (incluyendo montaje de cabrestante)	100mm
Longitud total (incluyendo protección)	334mm
Peso neto	11 kg (24.4lbs)
	Icecut MINI – 120V (39-D 050)

Debe llevarse siempre protección auditiva y ocular cuando esté operando la máquina. Utilice guantes protectores al utilizar la máquina.

El valor total de vibración declarado ha sido medido de acuerdo con un método de prueba estándar y puede utilizarse para comparar una herramienta con otra. El valor total de vibraciones puede usarse también en una evaluación preliminar de exposición.

La emisión de vibraciones durante el uso real de la herramienta eléctrica puede diferir del valor total declarado dependiendo de las formas en que se usa la herramienta.

La necesidad de identificar medidas de seguridad para proteger al operario que se basan en una estimación de la exposición en las condiciones reales de su uso (teniendo en cuenta todas las partes del ciclo operativo, como el tiempo y cuando la herramienta está apagada y cuando está funcionando en ralentí, sumado al tiempo de disparo)

**Adecuado solo para fuente de alimentación de una fase simple 50-60Hz A.C.
NO USE CON SUMINISTRO D.C.**

No use su taladro magnético en la misma estructura mientras está en curso una soldadura de arco.

La corriente D.C. hará contacto a tierra a través del imán y causará daños irreparables.

ADVERTENCIA: ¡ESTE APARATO DEBE CONECTARSE A TIERRA!

NOTA: CUALQUIER MODIFICACIÓN A ESTA MÁQUINA INVALIDA LA GARANTÍA

5) PROCEDIMIENTOS DE SEGURIDAD OPERATIVA

LEER ANTES DE USAR LA MÁQUINA

- Cuando utilice herramientas eléctricas debe seguirse precauciones básicas de seguridad para reducir el riesgo de descarga eléctrica, incendio y lesiones personales.
- Asegúrese que el imán esté apagado antes de enchufar la máquina.
- No la use si está mojada o húmeda. De hacerlo puede resultar en lesiones personales.
- No usar en presencia de líquidos o gases inflamables, o en ambientes de alto riesgo. De hacerlo puede resultar en lesiones personales.
- Antes de activar la máquina, inspeccione todos los cables de suministro de energía (incluyendo cables de extensión) y reemplace si están dañados. No use si hay signos de daño.
- Antes de activar la máquina, verifique siempre el funcionamiento correcto de todos los sistemas operativos, interruptores, imán, etc...
- Antes de operar, la máquina debe estar bien sujeta en forma segura a un elemento independiente mediante el uso de una correa de seguridad 48H461 y anillos de sujeción 48H462. Coloque los anillos en el imán, en el agujero de la parte superior para reducir el libre movimiento potencial, pudiendo soltarse el imán de la pieza de trabajo, lo que podría resultar en lesiones personales.
- Siempre utilice protección aprobada para ojos, oídos y los equipos de protección personal recomendados en TODO momento mientras opera la máquina
- Desconecte de la fuente de electricidad cuando cambie las brocas o cuando trabaje en la máquina.
- Las brocas y las virutas son filosas, asegúrese que las manos estén bien protegidas cuando cambie brocas o elimine viruta. Utilice una herramienta o una escobilla cuando sea necesario para eliminar cualquier viruta o la broca del eje
- Antes de operar la máquina, asegúrese siempre que los tornillos de sujeción de la broca estén asegurados firmemente
- Limpie regularmente la zona de trabajo y la máquina de virutas y suciedad, prestando especial atención a la parte inferior de la base de imán.
- Quítese siempre corbata, anillos, relojes y cualquier adorno suelto que podría enredarse con la maquinaria rotativa antes de operar.
- Asegúrese SIEMPRE de atar su cabello si es largo y colocar un protector aprobado para operar la máquina.
- Si la broca se atasca en la pieza de trabajo, pare el motor inmediatamente para evitar lesiones personales. Desconecte y gire el eje hacia adelante y atrás. No intente liberar la broca encendiendo y apagando el motor. Póngase guantes de seguridad para quitar la broca del eje
- Si la máquina cae accidentalmente, examínela completamente siempre por si presenta signos de deterioro y compruebe que funcione correctamente antes de reanudar la perforación.
- Revise regularmente la máquina y controle las piezas dañadas o sueltas.
- SIEMPRE asegúrese que, al usar la máquina en la posición invertida, sólo se usa un mínimo de líquido refrigerante y que se tomen recaudos que este líquido no entre en el motor de la unidad.
- Las herramientas de corte pueden romperse, coloque siempre el protector sobre la broca antes de activar la máquina. De no hacerlo puede resultar en lesiones personales.
- Al finalizar el corte, se expulsará el desecho.
- Cuando no esté en uso, siempre guarde la máquina en un lugar seguro.
- Asegúrese SIEMPRE de que las reparaciones se realicen por agentes de WALTER.

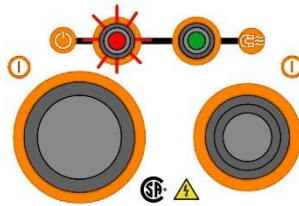
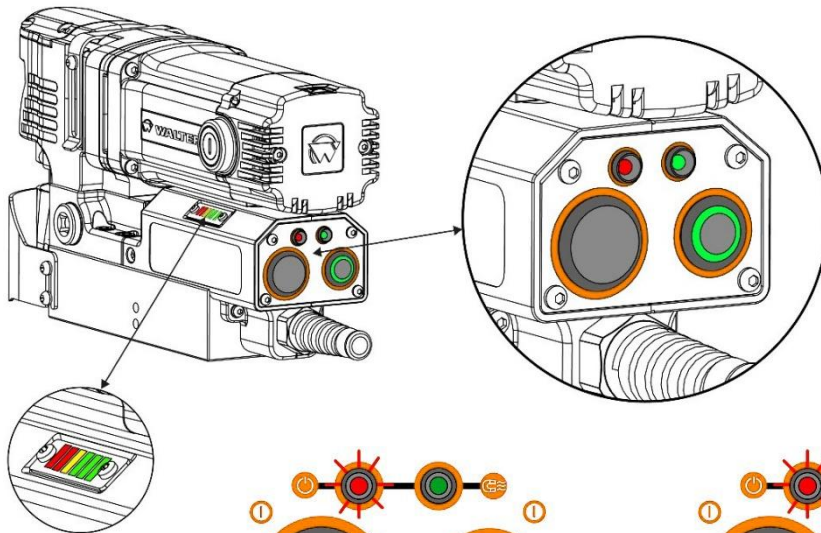
6) INSTRUCCIONES DE USO

- Mantenga limpio el interior de la herramienta. Si hay virutas, se restringe la profundidad de funcionamiento de la herramienta
- Asegúrese que la botella de refrigerante contenga suficiente aceite de corte para el funcionamiento requerido. Rellenar según sea necesario.
- Ocasionalmente, presione el piloto para asegurarse que el fluido de corte se mida correctamente.
- Para iniciar la máquina siga las instrucciones de funcionamiento del panel de control. La máquina ICECUT está equipada con un sistema de doble protección del motor para asegurar la seguridad y vida útil prolongada del mismo. La tecnología ACCUDRILL (en el panel de control) da una clara y visible indicación al usuario del torque que se aplica al motor, una vez alcanzado el nivel pre establecido el motor está protegido por corte automático. Para reiniciar a máquina, el operario debe presionar el botón azul de inicio (durante el roscado se presenta el modo protegido). Si a pesar de esto se activa la protección del regulador de velocidad, se trata del sensor del torque regulado a un valor predeterminado sobre ACCUDRILL (Falla la función del ACCUDRILL), el operario debe presionar dos veces el botón de inicio para reactivar la máquina.
- Siempre apague el motor presionando el botón verde de encendido y apagado o el azul, dependiendo de la operación. No apague el motor presionando el interruptor del imán.
- Aplique una ligera presión al comenzar la perforación hasta que la broca se introduzca en la superficie del trabajo. Entonces, puede aumentar la presión para cargar el motor. No se debe presionar demasiado, no aumente la velocidad de penetración ya que hará que el dispositivo de protección de sobrecarga pare el motor (el motor puede reiniciarse pulsando el botón de arranque) y puede causar calor excesivo, lo cual puede resultar en la expulsión inconsistente del desecho del corte.
- Siempre asegúrese que el desecho de corte haya sido expulsado antes de comenzar un nuevo corte.
- Si el desecho de corte queda pegado en la broca, lleve la máquina a una superficie plana, encienda el imán y suavemente lleve la broca hacia abajo para facilitar el contacto con la superficie. Esto usualmente endereza el desecho y permite que se expulse

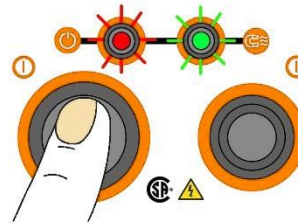
normalmente.

- Aplique una pequeña cantidad de aceite lubricante liviano con regularidad para mejor deslizamiento de la guía.
- La rotura de la broca generalmente es causada por un anclaje inseguro, poco ajuste o un cojinete desgastado en el soporte del eje (consulte las instrucciones de mantenimiento).
- Use únicamente líquido de corte aprobado. El fluido de corte Walter ha sido especialmente formulado para maximizar el rendimiento de las brocas.

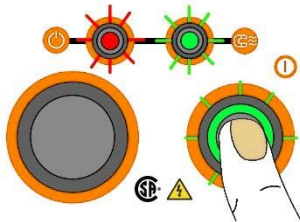
7) OPERACIÓN DEL PANEL DE CONTROL



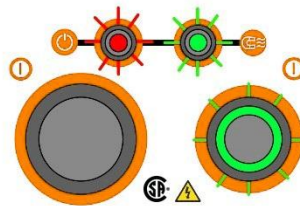
1) Encendido
Cuando el taladro esté conectado al enchufe, la luz LED ROJA indicará que la máquina está encendida.



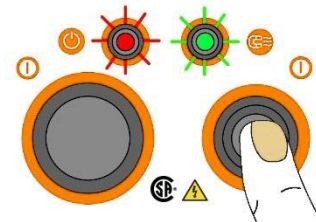
2) Imán encendido
Para encender o apagar el imán (ON/OFF), presione el botón grande del panel de control. Se iluminará el LED de color VERDE o ROJO dependiendo del espesor del material.



3) Motor encendido
Presionar el interruptor VERDE para encender el motor. Proceda a realizar el corte siguiendo los lineamientos de seguridad.

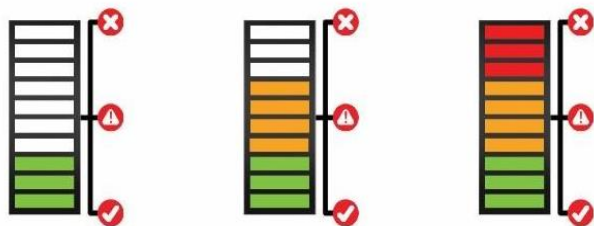


4) Corte:
Mire abajo la descripción completa del indicador visual ACCUDRILL™.



5) Motor apagado
Para parar el motor presione el interruptor VERDE. El motor se parará y el imán permanecerá. El interruptor VERDE se apagará.

Tecnología ACCUDRILL™



Zona Verde

Perfecto, intente mantenerse en la zona verde para un corte óptimo y mejor funcionamiento de la máquina.

Zona Amarilla

Demasiada presión en el taladro, afloje y vuelva a la zona verde.

Zona Roja

Sobrecarga:
Suelte inmediatamente ya que tanta presión hará que el motor se desconecte si usted continúa.

Tecnología ACCUDRILL™

Diseñada para que usted pueda obtener el máximo provecho de su máquina y las brocas. ACCUDRILL tiene una fácil lectura del panel que indica cuando usted está perforando con demasiada fuerza y que puede dañar la máquina y las brocas.

Permita que la herramienta haga el trabajo y usted encontrará que se logra un agujero mucho más suave y más rápido.

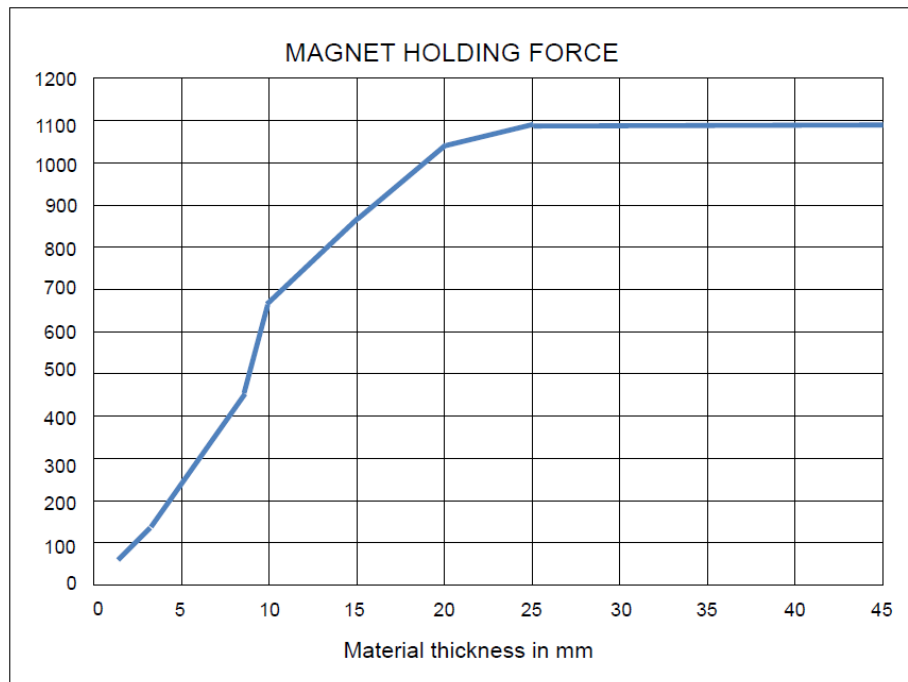
8) SELECCIÓN DE VELOCIDAD

El taladro magnético ICECUT MINI está equipado con una caja de 1 velocidad, con un selector de velocidad variable. El equipo se usa para reducir la velocidad de arranque al usar brocas grandes.

Selector de posición deslizable	Configuración de controlador de velocidad					
	Posición 1	Posición 2	Posición 3	Posición 4	Posición 5	Posición 6
RPM	250/min	300/min	350/min	400/min	450/min	500/min

9) DETECCIÓN DEL IMÁN

Se recomienda que al trabajar con materiales finos, se utilice una pieza de relleno para aumentar el espesor del material debajo del imán. Trabajando en material delgado sin la pieza de relleno reducirá la fuerza de sostén del imán. Se aconseja que el taladro se utilice para trabajos en material ferroso de 12mm de espesor. Si la base del imán se daña, como por picaduras, esto afectará a la fuerza de sostén del imán.



10) SELECCIÓN DEL CABLE EXTENSOR

Las máquinas están equipadas de fábrica con un cable de 3 metros de longitud con tres conductores de 12AWG. VIVO, NEUTRO Y TIERRA. Si es necesario agregar una extensión, debe tenerse cuidado de elegir una con la capacidad adecuada. De no hacerlo, resultará en la pérdida de tracción por el imán y en una reducción de la potencia del motor. Asumiendo un suministro AC de voltaje correcto, se recomienda que no se excedan las longitudes de 11.5 Ft de los extensores:

Para suministro de 120V: 3 metros (11.5 pies) de 3 centro x 14AWG

DESCONECTE SIEMPRE LA MÁQUINA DE LA FUENTE D'ENERGÍA ANTES DE CAMBIAR LAS BROCAS.

11) MONTAJE DE BROCAS

- La máquina está hecha para aceptar vástagos Weldon de 19.05mm (3/4")

Se debe realizar el siguiente procedimiento para montar las brocas:

- Coloque la máquina de costado con las manivelas de alimentación hacia arriba, asegurándose que el eje esté desenroscado al máximo para permitir el acceso de los tornillos Allen 48S217
- Tome la guía apropiada y colóquela a través del agujero del vástago cortador. Inserte el eje del cortador en el orificio del eje, asegurándose la correcta alineación de las dos secciones planas con los tornillos Allen.
- Ajuste los tornillos usando una llave hexagonal.

12) SOLUCIONES PARA PROBLEMAS DE PERFORACIÓN

<i>Problema</i>	<i>Causa</i>	<i>Solución</i>
1) La base magnética no sostiene efectivamente	El material a cortar es demasiado fino para ser sostenido efectivamente. Tierra o viruta debajo del imán Irregularidad en contacto del imán o pieza de trabajo. Corriente insuficiente llegando al imán durante los ciclos del taladrado.	Agregar una pieza de metal adicional debajo del imán, o sostener con una abrazadera la base magnética a la pieza de trabajo Limpiar el imán Tenga mucho cuidado; lime cualquier imperfección que sale a la superficie. Confirmar la fuente de alimentación y salida de la unidad de control, revise el cable de alimentación
2) La broca salta de la marca del punzón en el inicio del corte	La base magnética no está sostenida efectivamente El buje del eje y/o collar eyector desgastados. Demasiada presión de alimentación al inicio del corte La broca está opaca, desgastada, rota o está incorrectamente afilada. Marca pobre del punzón: resorte débil del piloto o Piloto no centrado en marca de punzón. Piloto gastado o doblado, agujero del piloto gastado Pernos flojos en el buje del motor que sostiene el soporte, bastidor principal o tornillos Gib flojos	Ver causas y soluciones arriba Se necesita un nuevo buje de eje. Sólo se necesita una ligera presión hasta que se corta una ranura. La ranura sirve como un estabilizador. Reemplace o afile. Servicio de afilado está disponible. Mejore el punzón y/o reemplace las piezas gastadas Reemplace la pieza o las piezas Ajustar donde sea necesario
3) Se requiere excesiva presión de perforación	Brocas mal afiladas, gastadas o astilladas. Virutas caen en la superficie de trabajo. Gibs mal ajustados o sin lubricación. Viruta acumulada (compacto) dentro de la broca.	Volver a afilar o reemplazar. Cuidado, no comenzar el corte sobre virutas. Ajustar los tornillos. Limpiar la broca.
4) Rotura excesiva de brocas	Viruta de acero o suciedad debajo de la broca Brocas mal afiladas o desgastadas. Salta la broca Vara/ deslizador necesita ajuste. La broca no está bien agarrada al eje.	Quitar la broca, limpiar bien la pieza y reemplazar. Tenga siempre una broca nueva a mano. Consultar pág. instructiva para correcta geometría de dientes. Ver causas y soluciones (2). Ajustar los tornillos sin cabeza que soportan la vara.

	<p>Aceite de corte incorrecto o insuficiente.</p> <p>Velocidad incorrecta</p>	<p>Reajustar.</p> <p>Inyectar aceite de viscosidad ligera en el anillo inductor del refrigerante y controlar que sea medido en la broca cuando el piloto esté deprimido. Sino, controle internamente el eje y ranura del piloto o aplique aceite externamente (Aún una pequeña cantidad de aceite es muy efectivo).</p> <p>Asegúrese que usa la velocidad correcta para la broca.</p>
5) Excesivo desgaste de la broca	<p>Ver causas y soluciones arriba</p> <p>Broca mal afilada.</p> <p>Presión espasmódica o insuficiente.</p>	<p>Tenga siempre una broca a mano y las instrucciones para geometría correcta de dientes.</p> <p>Use suficiente presión constante para ralentizar el taladro. Esto resultará en la velocidad óptima de corte y carga de viruta.</p>

13) SOLUCIÓN DE PROBLEMAS

El imán y el motor no funcionan	<ul style="list-style-type: none"> - El interruptor del imán no está conectado a la red eléctrica - Cableado defectuoso o dañado - Fusible defectuoso - Interruptor del imán defectuoso - Unidad de control defectuosa - Suministro de energía defectuoso
Funciona el imán, pero no el motor.	<ul style="list-style-type: none"> - Cableado defectuoso o dañado - Escobillas de carbón atascadas o desgastadas - Interruptor del motor defectuoso - Interruptor on/ off defectuoso - Unidad de control defectuosa - Inducido o campo defectuoso - Interruptor de lámina protectora defectuoso
El imán no funciona, el motor sí.	<ul style="list-style-type: none"> - Imán defectuoso - Fusible defectuoso - Unidad de control defectuosa
Las brocas se rompen rápido, los agujeros son más grandes que el tamaño de la broca.	<ul style="list-style-type: none"> - Hacen juego en la guía - Eje doblado - Eje extendido del motor está doblado - Piloto doblado
Motor funciona bruscamente y / o se trava	<ul style="list-style-type: none"> - Eje doblado - Eje extendido del motor está doblado - Guía triangular no fue montada en forma recta - Suciedad entre el eje y la guía triangular
Motor haciendo ruido de traqueteo	<ul style="list-style-type: none"> - Anillo de engranaje (parte inferior de carcasa) gastado - Engranaje/s gastado/s - Falta grasa en la caja de engranajes
Zumbido en motor, chispas y el motor no tiene fuerza	<ul style="list-style-type: none"> - Inducido dañado - Campo quemado - Escobillas de carbón desgastadas
Motor no arranca o falla	<ul style="list-style-type: none"> -- Cableado defectuoso o dañado - Daño en el inducido o en el campo - Escobillas dañadas o defectuosas
Demasiado esfuerzo de la guía	<ul style="list-style-type: none"> - La guía está demasiado ajustada - La guía está seca - Guía/cremallera de engranaje/sistema de rotación sucios o dañados

Fuerza magnética insuficiente	<ul style="list-style-type: none"> - Cableado defectuoso o dañado - Parte inferior del imán sucio o dañado - Parte inferior del imán no es plana - La pieza no es sólo de metal - La pieza de metal no es plana - La pieza de trabajo es demasiado delgada, menos de 10mm - Unidad de control defectuosa - Imán defectuoso
Marco Bajo voltaje	<ul style="list-style-type: none"> - Cableado defectuoso o dañado - Imán defectuoso - Motor muy sucio
Salta el fusible cuando se enciende el imán	<ul style="list-style-type: none"> - Cableado defectuoso o dañado - Fusible de valor incorrecto - Interruptor de imán defectuoso - Control de unidad defectuosa - Imán defectuoso
Salta el fusible cuando se enciende el motor	<ul style="list-style-type: none"> - Cableado dañado o defectuoso - Fusible de valor incorrecto - Motor funciona con dificultad - Inducido o campo defectuoso - Escobillas de carbón gastadas - Unidad de control defectuosa
Sistema de rotación de libre carrera muy largo	<ul style="list-style-type: none"> - Cremallera de engranaje suelta o defectuosa - Sistema de rotación defectuoso

14) MANTENIMIENTO

Para obtener “la mejor vida útil” de su máquina Walter, realice siempre el mantenimiento para que funcione de la mejor forma.

Siempre debe verificar un número de elementos en las máquinas Walter.

Antes de iniciar cualquier trabajo, asegúrese de que la máquina esté en buenas condiciones de funcionamiento y que no haya piezas dañadas ni sueltas. Cualquier pieza suelta debe ser ajustada.

Antes de proceder con cualquier trabajo de mantenimiento, asegúrese que estés conectado de la red eléctrica.

Descripción	Cada operación	1 semana	1 Mes
Revisar la máquina por daños en forma visual	X		
Funcionamiento de la máquina	X		
Controlar desgaste de escobillas		X	
Controlar la base magnética	X		
Controlar el alineamiento de la máquina			X
Controlar la grasa			X
Controlar la carcasa			X

Revisar la máquina por daños en forma visual.

Se debe controlar la máquina antes de la operación para detectar cualquier signo de daño que pueda afectar el funcionamiento de la misma. Se debe dar particular atención al cable de alimentación, si parece estar dañada la máquina no debe utilizarse. De hacerlo puede causar lesiones o la muerte.

Controle el funcionamiento de la máquina.

Controle el funcionamiento de las máquinas para asegurarse que todos los componentes funcionan correctamente.

Escobillas de la máquina

Se debe revisar las escobillas para asegurarse de que no haya ningún desgaste anormal presente (al menos una vez por semana si se usa frecuentemente). Si la escobilla está gastada más de 2/3 de la longitud original, debe cambiarse. De no hacerlo puede causar daños a la máquina.

Base magnética

Antes de operar la máquina, debe verificarse la base magnética para asegurarse que la base sea plana y no presente daños. Una base desigual no permitirá que el imán se adhiera de forma eficaz y puede causar daños y lesiones al operario.

Ajuste de guía deslizante y alineación de soporte de rodamientos

Un requerimiento esencial de la máquina es que la guía se deslice de forma suave y controlada, sin movimientos laterales ni vibraciones.

Esta forma de trabajo se mantiene ajustando periódicamente la guía de la siguiente manera:

1. Coloque la máquina posición vertical y a través del cabrestante suba la guía deslizante a su posición más alta. Limpie las guías de bronce y coloque una pequeña cantidad de aceite liviano en las superficies.
2. Ahora vuelva a bajar la guía a su posición más baja. Lleve la guía a la posición en el centro de la carcasa y afloje los tornillos para permitir que se mueva libre del soporte del eje.
3. Comenzando por los tornillos centrales, suavemente introduzca todos los tornillos hasta que sienta una leve resistencia.
4. Haga funcionar la guía hacia arriba y hacia abajo algunas veces para probar el movimiento y hacer más ajustes de ser necesario. Trate de asegurarse que todos los tornillos ejercen una presión pareja sobre la guía de arriba a abajo. Una guía perfectamente ajustada, funcionará libremente de arriba hacia abajo sin movimientos laterales.
5. Ahora levante la guía a su posición más alta. Despacio afloje el soporte del rodamiento del eje, usando los dedos, ajuste los tornillos.
6. Coloque la máquina en una placa de acero, conecte a la red eléctrica y encienda el imán. Encienda el motor. Si el eje está incorrectamente alineado, se verá oscilar el soporte del mismo. Haga los ajustes necesarios al soporte para asegurar el correcto alineamiento del husillo y finalmente, ajustar los tornillos usando una llave. Por último, ajuste el soporte del eje.

Controle la grasa de la máquina.

Debe controlar la grasa de la caja de engranajes una vez al mes para asegurarse que todos los componentes móviles estén cubiertos para evitar el desgaste. Se debe cambiar la grasa al menos una vez al año para obtener lo mejor de su equipo.

Controle la carcasa de la máquina.

Debe revisarse al menos una vez al mes para comprobar que no haya ninguna señal visual de daños al cuerpo del equipo o al conmutador. Luego de un tiempo, se verán algunos signos de desgaste en el conmutador, pero esto es normal (es la parte que entra en contacto con las escobillas). Sin embargo, si hay cualquier signo de daño anormal se debe reemplazar la pieza.

15) DECLARACIÓN DE GARANTÍA

Walter™ garantiza que sus máquinas no tienen materiales defectuosos, bajo uso normal de la máquina, por un período de 12 meses desde la fecha de compra. Todas las otras piezas (excepto por las brocas) están bajo garantía de 90 días, el registro en línea debe ser completado y devuelto a Walter™ o a su distribuidor designado dentro de un período de (30) días de la fecha de compra. En caso contrario, se anulará la garantía. Si se adhiere a los establecido Walter™ reparará o reemplazará (según crea conveniente) sin cargo cualquier artículo defectuoso devuelto.

Esta garantía no incluye:

1. Compuestos que están sujetos a desgaste natural causado por el uso no conforme a las instrucciones dadas a los operarios.
2. Defectos en la herramienta causados por el incumplimiento de las instrucciones de operaciones, uso incorrecto, condiciones ambientales anormales, condiciones operativas inadecuadas por sobrecarga o insuficiencia en el servicio de mantenimiento.
3. Defectos causados por utilizar accesorios, componentes, piezas de repuestos que no sean piezas originales de Walter™.
4. Herramientas a las que se les haya agregado algo o se haya modificado.
5. Los componentes eléctricos están sujetos a la garantía del fabricante.

Su inscripción en línea puede presentarse en www.Walter.com

La reclamación de la garantía debe ser registrada dentro del período de garantía. Esto requiere la presentación o envío de la herramienta completa con la factura de compra original que debe indicar la fecha de compra del producto. Se debe presentar junto a un formulario de quejas antes de la devolución.

Esto puede encontrarse en línea en www.walter.com. De no completar este formulario su reclamo se verá demorado.

El cliente se hará cargo del pago por envío de todos los bienes defectuosos devueltos a Walter, en ningún caso Walter será responsable en forma directa o indirecta por pérdidas o daños subsecuentes.

ESTA GARANTÍA REEMPLAZA CUALQUIER OTRA GARANTÍA (EXPRESA O IMPLÍCITA) INCLUYENDO CUALQUIER GARANTÍA DE COMERCIALIDAD O IDONEIDAD PARA UN PROPÓSITO EN PARTICULAR. WALTER™ SE RESERVA EL DERECHO DE REALIZAR MEJORAS Y MODIFICACIONES EN EL DISEÑO SIN PREVIO AVISO.

“ONLY THE BEST™”

ICECUT MINI

39-D 050

Spare Parts List

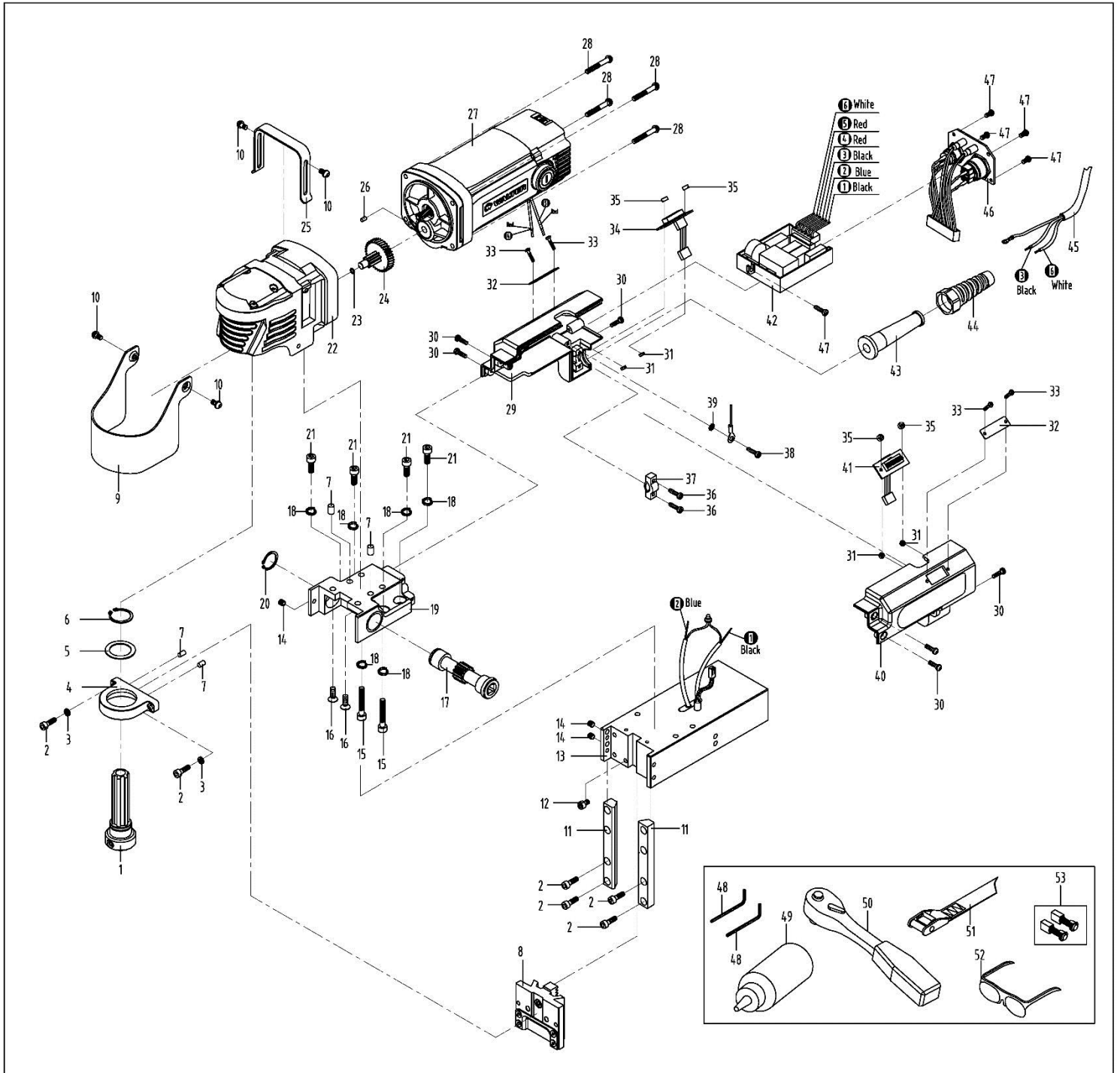
Pièces de Rechanges

Lista de Refacciones

Liste de Peças de Reposição



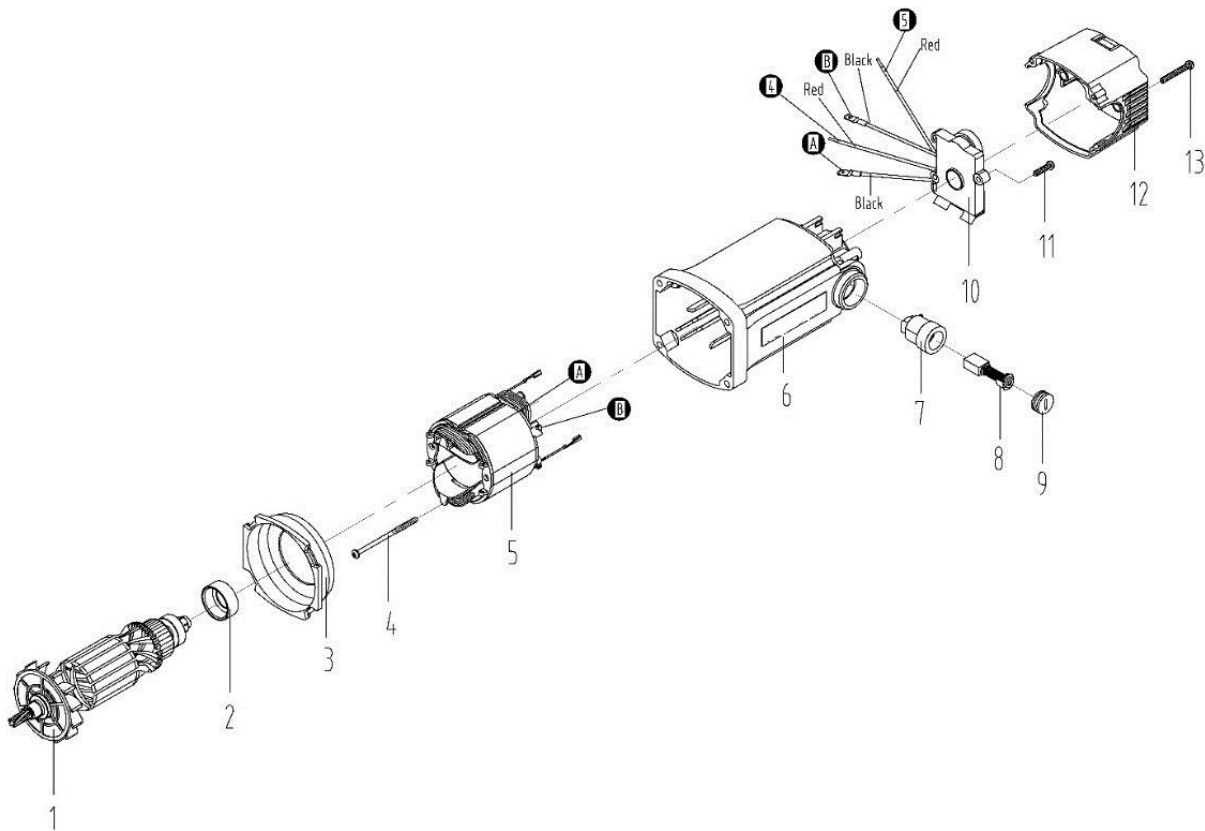
16) EXPLODED VIEW OF THE MACHINE



Item #	Order No.	DESCRIPTION - EN	DESCRIPTION - FR	QTY/PCS
1	48H630	SPINDLE ASSEMBLY	ASSEMBLAGE DE LA BROCHE	1
2	48S797	SCREW M5 X 16	VIS M5 X 16	6
3	48K651	CIRCLIP	RONDELLE D'ARRET	2
4	48H647	BEARING BRACKET	SUPPORT DE ROULEMENT	1
5	48K652	GEAR SHAFT WASHER	RONDELLE D'ARBRE DE TRANSMISSION	1
6	48K653	CIRCLIP	RONDELLE D'ARRET	1
7	48H648	STRAIGHT PIN	GOUPILLE	4
8	48H649	SLIDE ASSEMBLY	GLISSIÈRE	1
9	48H650	GUARD	GARDE	1
10	48S798	SCREW	VIS	6
11	48H651	GUIDE BAR	BARRE GUIDE	2
12	48S799	SCREW M5 X 8	VIS M5 X 8	1
13	48H654	MAGNET ASSEMBLY 120V	ASSEMBLAGE AIMANT 120V	1
14	48S800	SCREW M6 X 6	VIS M6 X 6	3
15	48S832	SCREW M6 X 38	VIS M6 X 38	2
16	48S837	SCREW M6 X 20	VIS M6 X 20	2
17	48H655	CAPSTAN SPINDLE	BROCHE DE CABESTAN	1
18	48K654	CIRCLIP	RONDELLE D'ARRET	6
19	48H656	CONNECTED BASE ASSEMBLY	ENSEMBLE DE BASE CONNECTÉ	1
20	48K655	CIRCLIP	RONDELLE D'ARRET	1
21	48S846	SCREW M6 X 20	VIS M6 X 20	4
22	48H657	GEAR BOX ASSEMBLY	ASSEMBLÉE DE BOÎTE DE VITESSE	1
23	48K656	GEAR SHAFT WASHER	RONDELLE D'ARBRE DE TRANSMISSION	1
24	48H658	SHAFT GEAR ASSEMBLY	ASSEMBLAGE DE L'ARBRE	1
25	48H659	HANDLE	POIGNEE	1
26	48H660	STRAIGHT PIN	GOUPILLE	1
27	48H661	MOTOR ASSEMBLY 120V	ENSEMBLE MOTEUR 120V	1
28	48S856	SCREW M5 X 35	VIS M5 X 35	4
29	48H662	RIGHT COVER SHELL SUB ASSEMBLY	SOUS-ENSEMBLE DE COQUE DROITE	1
30	48S857	SCREW M4 X 14	VIS M4 X 14	6
31	48K657	NUT	ECROU	4
32	48H663	INDICATOR LIGHT PLATE	PLAQUE DE VOYANT	2
33	48S858	SCREW M3 X 12	VIS M3 X 12	4
34	48H664	RIGHT LOAD INDICATOR LIGHT	VOYANT DE CHARGE DROITE	1
35	48H665	PLASTIC RING	BAGUE	4
36	48S863	SCREW M4 X 14	VIS M4 X 14	2
37	48H666	CABLE CLAMP	BRIDE DE CABLE	1
38	48S877	SCREW M4 X 8	VIS M4 X 8	1
39	48K658	OUTER SAW-TOOTH WASHER	RONDELLE EXTÉRIEURE DENTS DE SCIE	1
40	48H667	LEFT COVER SHELL SUB ASSEMBLY	SOUS-ENSEMBLE DE COQUE GAUCHE	1

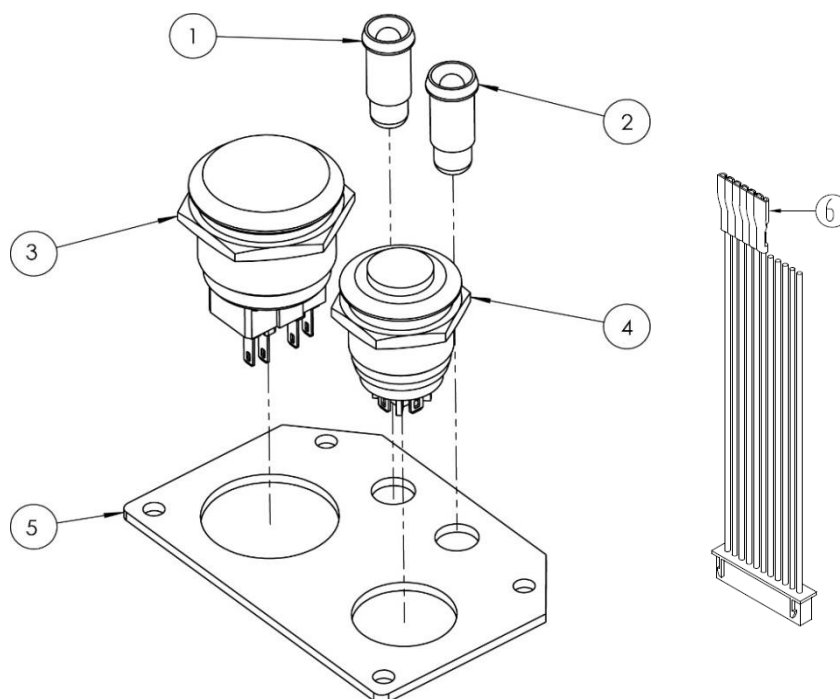
41	48H668	LEFT LOAD INDICATOR LIGHT	VOYANT DE CHARGE GAUCHE	1
42	48H669	PCB PANEL SUB ASSEMBLY 120V	ASSEMBLAGE DE PANNEAU 120V	1
43	48H670	CABLE JACKET	GAINÉ DE CÂBLE	1
44	48H671	JACKET	GAINÉ	1
45	48Z453	CABLE PLUG ASSEMBLY 120V	ENSEMBLE DE FICHE DE CÂBLE 120V	1
46	48H672	PANEL SUBASSEMBLY 120V	SOUS ENSEMBLE DE PANNEAU 120V	1
47	48S889	SCREW M4 X 8	VIS M4 X 8	5
48	48Z046	HEXAGON SPANNER	CLÉ HEXAGONALE	2
49	48H673	COOLANT BOTTLE	BOUTEILLE	1
50	48Z047	RACHET HANDLE	POIGNÉE À CLIQUET	1
51	48H674	SAFETY STRAP	SANGLE DE SECURITE	1
52	48H424	SAFETY GLASSES	LUNETTES DE SECURITE	1
53	48H675	SPARE BRUSH 120V	BROSSES 120V	1

17) EXPLODED VIEW OF MOTOR



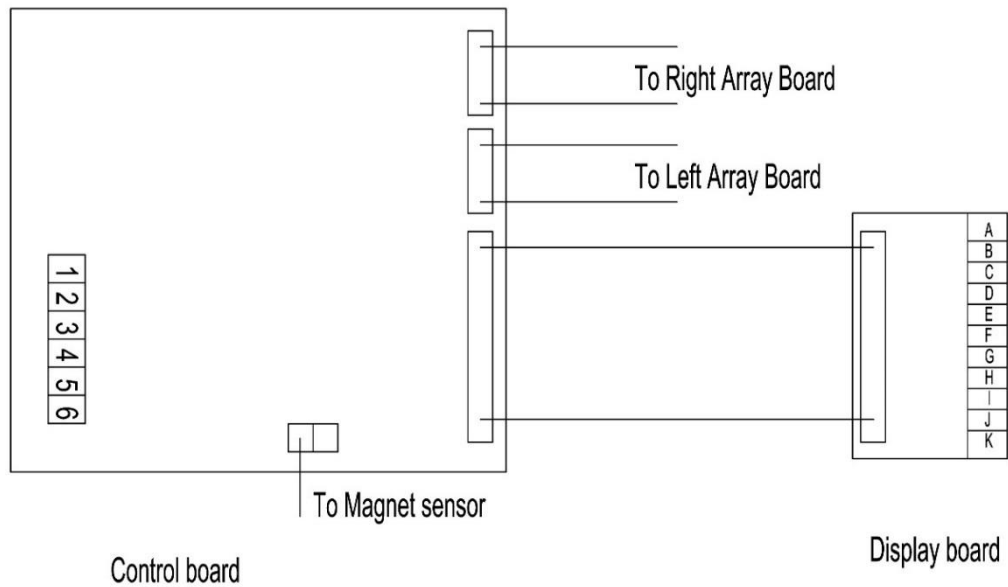
Item #	Order No.	DESCRIPTION - EN	DESCRIPTION - FR	QTY/PCS
1	48H676	ARMATURE ASSEMBLY 120V	ASSEMBLAGE DE L'ARMATURE 120V	1
2	48H677	BEARING SLEEVE	MANCHON DE ROULEMENT A BILLE	1
3	48H678	FIELD COIL BAFFLE	DÉFLECTEUR DE CHAMP	1
4	48S910	FIELD COIL SCREWS	VIS DE BOBINE DE CHAMP	2
5	48H679	FIELD COIL ASSEMBLY 120V	ASSEMBLAGE BOBINE DE CHAMP 120V	1
6	48H680	MOTOR FRAME	CADRE MOTEUR	1
7	48H681	BRUSH HOLDER	SUPPORT DE BROSSE	2
8	48H675	CARBON BRUSH SET 120V	ENSEMBLE DE BROSSES 120V	1
9	48H682	BRUSH CAPS	CAP DE BROSSES	2
10	48H683	SPEED CONTROLLER ASSEMBLY 120V	ASSEMBLAGE CONTRÔLEUR VITESSE 120V	1
11	48S911	SPEED CONTROLLER SCREWS	VIS DE CONTRÔLE DE VITESSE	2
12	48H684	END CAP	PIECE TERMINALE	1
13	48S912	END CAP SCREWS	VIS D'ASSEMBLAGE	2

18) CONTROL PANEL AND PARTS LIST



Item #	Order No.	DESCRIPTION - EN	DESCRIPTION - FR	QTY/PCS
1	48H507	RED LED	DEL ROUGE	1
2	48H508	RED/GREEN LED	DEL ROUGE/VERT	1
3	48H506	MAGNET SWITCH	INTERRUPTEUR AIMANT	1
4	48H397	MOTOR SWITCH	INTERRUPTEUR MOTEUR	1
5	48H685	FACIA PLATE	PLAQUE	1
6	48H686	CONNECTION LINE	LIGNE DE CONNEXION	1

19) WIRING DIAGRAM



No.	Function	Wire Colour
1	Magnet Negative Output Sortie negative de l'aimant Cable de salida negativa de imán	Black Noir Negro
2	Magnet Positive Output Sortie positive de l'aimant Cable de salida positiva de imán	Red Rouge Rojo
3	Mains Neutral Input Alimentation secteur neutre Cable de neutro de entrada de red eléctrica	Blue Bleu Azul
4	Motor Neutral Output Moteur secteur neutre Salida de motor neutro	Red Rouge Rojo
5	Motor Live Input Moteur secteur phase Entrada de motor en vivo	Red Rouge Rojo
6	Mains Live Input Alimentation secteur phase Entrada de red eléctrica	Brown Brun Marrón

No.	Function	Wire Colour
A	Motor Switch 0V Interrupteur du moteur 0 V Interruptor motor 0V	White Blanc Blanco
B	Motor Switch +5V (Green) Interrupteur du moteur +5V (Vert) Interruptor motor +5V (Verde)	White Blanc Blanco
C	Magnet Switch 0V Interrupteur de l'aimant 0V Interruptor imán 0V	White Blanc Blanco
D	Magnet Switch +5V Interrupteur de l'aimant +5V Interruptor imán +5V	White Blanc Blanco
E	Motor LED +12V DEL du moteur +12V Motor LED +12V	White Blanc Blanco
F	Motor LED 0V DEL du moteur 0V Motor LED 0V	White Blanc Blanco
G	Magnet 'ON' LED 0V DEL de l'aimant allumé 0V LED imán "ON" 0V	White + Green Blanc + Vert Blanco + Verde
H	Magnet 'ON' LED +5V DEL de l'aimant allumé +5 V LED imán "ON" +5V	White + Brown Blanc + Brun Blanco + Marrón
I	Magnet 'ON' LED 0V DEL de l'aimant allumé 0V LED imán "ON" 0V	White + Red Blanc + Rouge Blanco + Rojo
J	Power 'ON' LED +5V DEL de l'outil en marche +5V Encendido "ON" LED +5V	White + Brown Blanc + Brun Blanco + Marrón
K	Power 'ON' LED 0V DEL de l'outil en marche 0V Encendido "ON" LED 0V	White + Black Blanc + Noir Blanco + Negro

WALTER

Surface Technologies

HEAD OFFICE / SIÈGE SOCIAL

WALTER CANADA

5977 Transcanadienne Ouest
Pointe-Claire, Québec, Canada, H9R 1C1
Tel.: 514-630-2800
Sans frais: 1-888-592-5837
Télec.: 514-630-2825
csr@walter.com

WALTER USA

810 Day Hill Road
Windsor, Connecticut, USA, 06095
Tel.: 860-298-1100
Toll free: 1-888-592-5837
Fax: 860-298-1112
csr@walter.com

WALTER MEXICO

Privada La Puerta 2879, Bodega 15
Colonia Parque Industrial la Puerta
Santa Catarina N.L., C.P. 66367
Tel.: (81) 11 12-5875
Gratis: 1-888-592-5837
servicioalcliente@walter.com

www.walter.com