

BALDOR® • RELIANCE 

Product Information Packet

8123WD

.75HP,3000/3600RPM,3PH,50/60HZ,3524M

Part Detail							
Revision:	AW	Status:	PRD/A	Change #:		Proprietary:	No
Type:	AC	Elec. Spec:	G8WG0013	CD Diagram:	CD0005	Mfg Plant:	
Mech. Spec:	G8-236	Layout:	G8LY0236	Poles:	02	Created Date:	08-08-2007
Base:	RG	Eff. Date:	07-20-2018	Leads:	9#18 12" LG		Y

Specs			
Nameplate Output:	.75		

Nameplate NP0113	
CAT.NO.	8123WD
HP	.75
PHASE	3
HZ	50//60
SER.NO.	
SPEC.	G8-236-13
	VOLTS 208-230/460
	AMPS 1.5-1.4/.7
	RPM 3000//3600

Parts List		
Part Number	Description	Quantity
SA037665	SA G8-236-13	1.000 EA
RA033690	RA G8-236-13	1.000 EA
G8BA3000A01	BASE, MACH	1.000 EA
19XX2510A14	1/4-10 X 7/8 HEX HD PLASTITE SCREW	4.000 EA
HW1000A25	1/4 SAE FLAT WASHER (FS)	4.000 EA
WD4502A01A02	CONDUIT BOX W/KNOCKOUTS, FOR 7,8 & 10 GR	1.000 EA
51XB1016A06	10-16X3/8 HXWSSLD SERTYB	2.000 EA
WD4503A01	T&B 58 C 1, OUTLET BOX LID	1.000 EA
07PA1007	PKG GRP, PRINT PK1156A06	1.000 EA
MN903	INSTR MANUAL FOR GRINDERS 9/03	1.000 EA
G8CB4500A02	G8-272 BASE COVER,STPD X PLATED	1.000 EA
51XW0832A07	8-32 X .44, TAPTITE II, HEX WSHR SLTD SE	2.000 EA
RM1005A01SP	BUMPER- #2089 (R-R CO)	4.000 EA
15XF1032A10	10-32X5/8 PIN HD PHL TY FSEE JT	4.000 EA
G8EP3900A01SP	ENDPLATE, MACH	2.000 EA
HW5100A06	W2420-025 WVY WSHR (WB)	1.000 EA
HA3100A14	THRUBOLT 10-32 X 7.875	4.000 EA
HW5100A06	W2420-025 WVY WSHR (WB)	1.000 EA
XY1032A02	10-32 HEX NUT DIRECTIONAL SERRATION	4.000 EA
G8FH1800A01SP	GRINDER GUARD - R.H. 8" GRINDER	1.000 EA
19XW2520A16	SCREW,1/4-20X1 TAPTITE-II OR ROLOC 91	4.000 EA
G8FH1802A01SP	GRINDER GUARD - L.H. 8" GRINDER	1.000 EA
19XW2520A16	SCREW,1/4-20X1 TAPTITE-II OR ROLOC 91	4.000 EA
HA6099A01SP	8" GRINDER TOOL REST SUPPORT	1.000 EA

Parts List (continued)		
Part Number	Description	Quantity
10XN3816A18	SCREW, HEX HD, ZINC	2.000 EA
HW1001A38	LOCKWASHER 3/8, ZINC PLT .688 OD, .382 I	2.000 EA
HW1000A38	WASHER, 3/8" FLAT, SAE Z/P	2.000 EA
HA6099A01SP	8" GRINDER TOOL REST SUPPORT	1.000 EA
10XN3816A18	SCREW, HEX HD, ZINC	2.000 EA
HW1001A38	LOCKWASHER 3/8, ZINC PLT .688 OD, .382 I	2.000 EA
HW1000A38	WASHER, 3/8" FLAT, SAE Z/P	2.000 EA
G6AP1002A01	SPARK BREAKER-6",7" & 8" GRINDERS	1.000 EA
10XN3118A12	5/16-18 X 3/4 HEX HEAD CAP	1.000 EA
HW1001A31	LOCKWASHER 5/16, ZINC PLT.591 OD, .319 I	1.000 EA
HW1000A31	5/16 SAE FL WSHR NARROW, ID=.344, OD=.62	1.000 EA
G6AP1002A01	SPARK BREAKER-6",7" & 8" GRINDERS	1.000 EA
10XN3118A12	5/16-18 X 3/4 HEX HEAD CAP	1.000 EA
HW1001A31	LOCKWASHER 5/16, ZINC PLT.591 OD, .319 I	1.000 EA
HW1000A31	5/16 SAE FL WSHR NARROW, ID=.344, OD=.62	1.000 EA
HA6098	WHEEL FLANGE, CAST	4.000 EA
HW3020E04	1/8 X 3/8 A GROOVE PIN (DRIV-LOCK #118	2.000 EA
FSG8AP3000A01	A36N5V10 8X1X3/4 36GRIT X	1.000 EA
G8AP3000A02	A60N6V10 8X1X3/4 60GRIT X	1.000 EA
XY7510A12SP	3/4-10 NUT R.H. HEX (NC) ZINC PLATED	1.000 EA
XY7510A62SP	3/4-10 NUT L.H. HEX (NC) (F/S)	1.000 EA
G8FH1801A01SP	GUARD COVER - R.H. 8" GRINDER	1.000 EA
10XN2520A16	1/4-20 X 1 HEX HEAD CAP SCR, ZINC PLATED	4.000 EA
G8FH1803A01SP	GUARD COVER - L.H. 8" GRINDER	1.000 EA

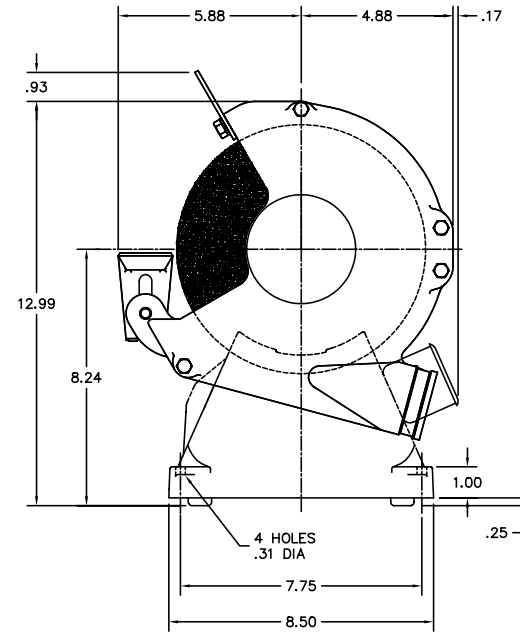
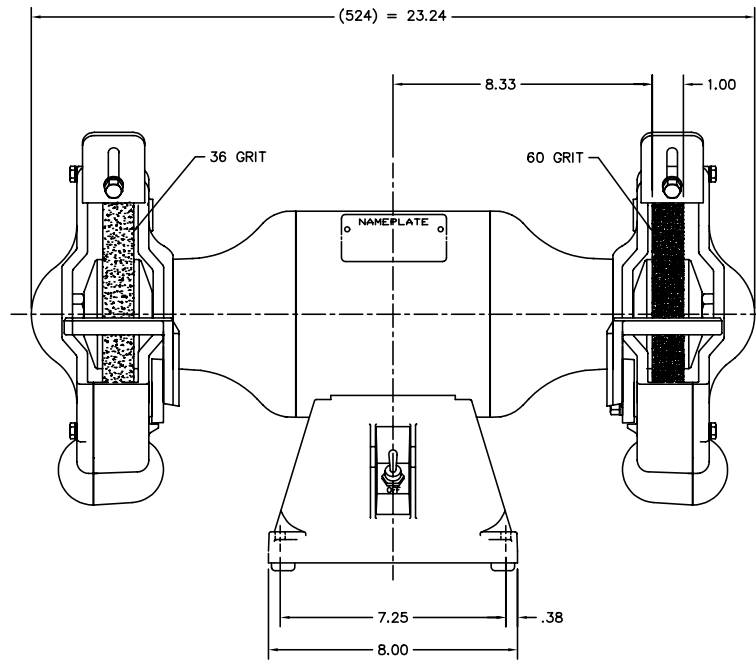
Product Information Packet: 8123WD - .75HP,3000/3600RPM,3PH,50/60HZ,3524M

10XN2520A16	1/4-20 X 1 HEX HEAD CAP SCR, ZINC PLATED	4.000 EA
G8AP1003A01SP	TOOL REST	1.000 EA
10XN3816A16	3/8-16 X 1 HEX HD CAP SCREW	1.000 EA
HW1001A38	LOCKWASHER 3/8, ZINC PLT .688 OD, .382 I	1.000 EA
HW1000A38	WASHER, 3/8" FLAT, SAE Z/P	1.000 EA
G8AP1003A01SP	TOOL REST	1.000 EA
10XN3816A16	3/8-16 X 1 HEX HD CAP SCREW	1.000 EA
HW1001A38	LOCKWASHER 3/8, ZINC PLT .688 OD, .382 I	1.000 EA
HW1000A38	WASHER, 3/8" FLAT, SAE Z/P	1.000 EA
GA9	EYESHIELD ASSY	1.000 EA
G9AP5002A01	A-683 WATER POT .18 45809107	1.000 EA
GA25	TOOL TRAY ASSY	1.000 EA
85XU0407S04	4X1/4 U DRIVE PIN STAINLESS	2.000 EA
SP9004	SWITCH HKA270-73 CARLING	1.000 EA
MJ1000A02	GREASE, MOBIL POLYREX EM - 124047	0.050 LB
HA1000A34	DR2463A .02 BRG GUARD B N	2.000 EA
MG1000G01	MUNSELL 5.93PB 3.81/ 2.71	0.017 GA
LB1119N	WARNING LABEL	1.000 EA
LB1388A02	CONSOLIDATED GRINDER LABEL FOR 6", 7", 8	1.000 EA
MN909	EYESHIELD MTG INSTR. FOR GA9, GA10 & GA1	1.000 EA
LB1454	#0153-02-03-S1550/E47175	1.000 EA
LC0005B01	CONN LABEL GRINDER/BUFFER X	1.000 EA
NP0113	N.P.- DELUXE GRINDERS - BUFFERS	1.000 EA

Accessories		
Part Number	Description	Multiplier
GA16	PEDESTAL INDUSTRIAL, CAST IRON 6" - 10"	A8
GA14	PEDESTAL FABRICATED STEEL W/SHELVES	A8
GA20	PEDESTAL INDUSTRIAL, CAST IRON 8"-14"	A8
GA20E	PEDESTAL LIGHT INDUSTRIAL,STEEL	A8
B80	8" 36 GRIT GRINDING WHEEL	A8
B81	8" 60 GRIT GRINDING WHEEL	A8
GA9	PAIR LIGHTED EYESHIELDS	A8
GA9-1	SINGLE LIGHTED EYESHIELD	A8
GA9S	PAIR EYESHIELDS W/ ON-OFF SWITCH	A8
GA11	PAIR EYESHIELDS	A8
DC8	DUST CONTROL UNIT	A8

No performance data has been
assigned to this product.

GBLY0236



CUSTOMER IS RESPONSIBLE FOR DETERMINING THAT MOTOR PERFORMANCE IS SUITABLE IN THE APPLICATION.

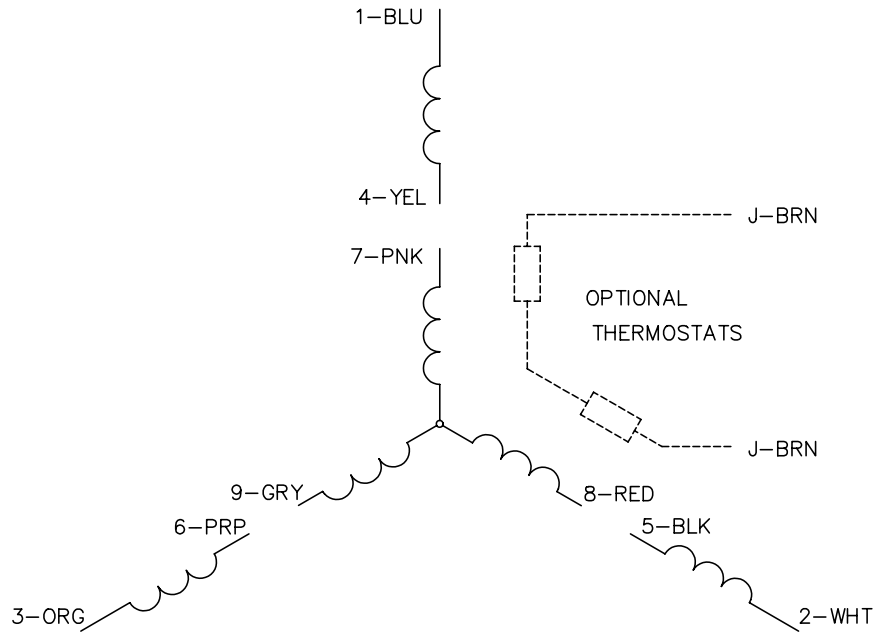
REV. DESC:	OMITTED FELT WSHR HA1025A03 & CHG'D TO SEALED BRGS		
REV. LTR:	D	BY: SSS	REVISED: 09/29/00 2:38
FILE:	AAA00036170		TDR: 0212666
MTL:	-		REF: -

BALDOR ELECTRIC Co.

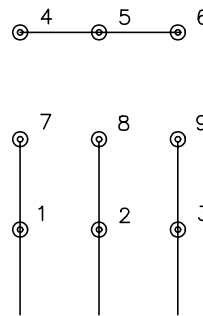
STD 8" GRINDER 524M W/EYESHIELDS, WATER POT, TOOL REST

GBLY0236

CD0005

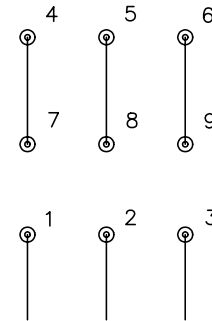


LOW VOLTAGE
(2Y)



LINE

HIGH VOLTAGE
(1Y)



LINE

NOTES:

1. INTERCHANGE ANY TWO LINE LEADS TO REVERSE ROTATION.
2. OPTIONAL THERMOSTATS ARE PROVIDED WHEN SPECIFIED.
3. ACTUAL NUMBER OF INTERNAL PARALLEL CIRCUITS MAY BE A MULTIPLE OF THOSE SHOWN ABOVE.
4. LEAD COLORS ARE OPTIONAL. LEADS MUST ALWAYS BE NUMBERED AS SHOWN.

REV. DESC: REVISE TO SHOW OPTIONAL COLORS			
REV. LTR: E	BY: JLP	REVISED: 01/19/99 10:15	TDR: 0171435
900000		FILE: AAA00005140	MDL: -
		MTL: -	

BALDOR ELECTRIC Co.

3PH, DV, 9 LEADS

CD0005