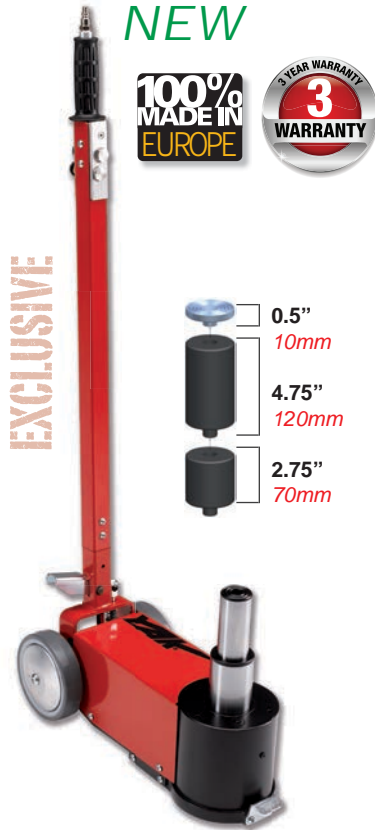


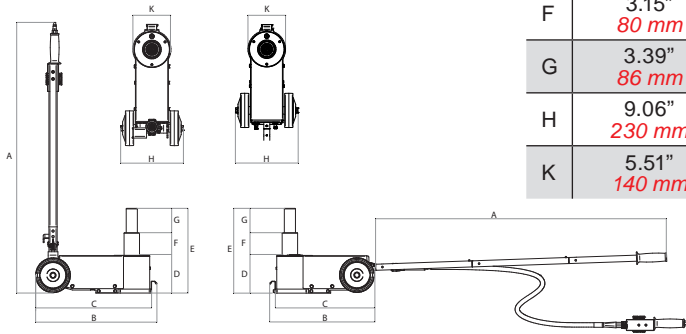
**YAK 22/11 Ton Air Hydraulic Jack - Standard & Portable Versions**



- ▶ Extremely light, compact and efficient.
- ▶ Made up with the best materials on the market, 92000 and 92001 represent the technological leading edge of our product range.
- ▶ The high quality materials used keep 92001 within 31 lbs. **15 kg** weight, making it the lightest and most compact jack we ever built.

Model # Style	92000 YAK 214/N	92001 YAK 214/P		92000 YAK 214/N	92001 YAK 214/P
Capacity	22/11 Ton <i>20/10 Tonne</i>	22/11 Ton <i>20/10 Tonne</i>	A	38.58" <i>980 mm</i>	13.94-41.42" <i>354-1052 mm</i>
Net Weight	38.5 lb <i>17.5 kg</i>	31 lb <i>15 kg</i>	B	17.32" <i>440 mm</i>	14.96" <i>380 mm</i>
Working Air Pressure	116-145 psi <i>8-10 bar</i>	116-145 psi <i>8-10 bar</i>	C	16.54" <i>420 mm</i>	14.17" <i>360 mm</i>
			D	5.51" <i>140 mm</i>	5.51" <i>140 mm</i>
			E	12.05" <i>306 mm</i>	12.05" <i>306 mm</i>
			F	3.15" <i>80 mm</i>	3.15" <i>80 mm</i>
			G	3.39" <i>86 mm</i>	3.39" <i>86 mm</i>
			H	9.06" <i>230 mm</i>	9.06" <i>230 mm</i>
			K	5.51" <i>140 mm</i>	5.51" <i>140 mm</i>

SPECIFICATIONS:



**YAK 2 Stage Jacks - Low Profile Jack**

Model 92002

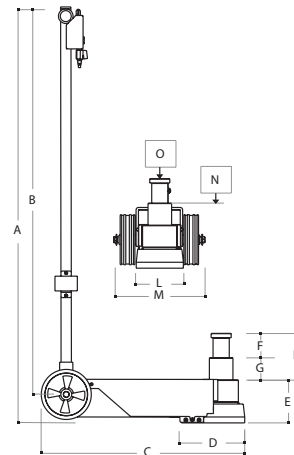


- ▶ Air hydraulic jack for heavy vehicles, practical and easy to handle.
- ▶ The pistons move back automatically; the two descent valves guarantee perfect holding in all situations and controlled speed under load.
- ▶ Designed especially to meet the specific needs of heavy vehicles with pneumatic suspensions of the latest generation for jobs where a compact size and power are a must.



Model # Style	92002 YAK 215/L		92002 YAK 215/L
Capacity	44/22 Ton <i>40/20 Tonne</i>	A	55.12" <i>1400 mm</i>
Net Weight	86 lb <i>39 kg</i>	B	51.97" <i>1320 mm</i>
Working Air Pressure	116-145 psi <i>8-10 bar</i>	C	27.56" <i>700 mm</i>

SPECIFICATIONS:



D	8.27" <i>210 mm</i>
E	5.91" <i>150 mm</i>
F	3.07" <i>78 mm</i>
G	2.83" <i>72 mm</i>
H	5.91" <i>150 mm</i>
K	NA
L	5.91" <i>150 mm</i>
M	11.81" <i>300 mm</i>
N	40 Ton <i>44 Tonne</i>
O	20 Ton <i>22 Tonne</i>
P	NA

MODEL 92002