

ACU-RITE

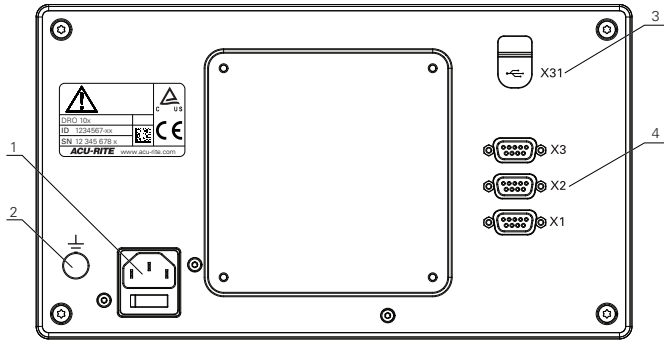


Installation Instructions
Guide d'installation
Instrucciones de instalación

DRO 100
DRO 203
DRO 300

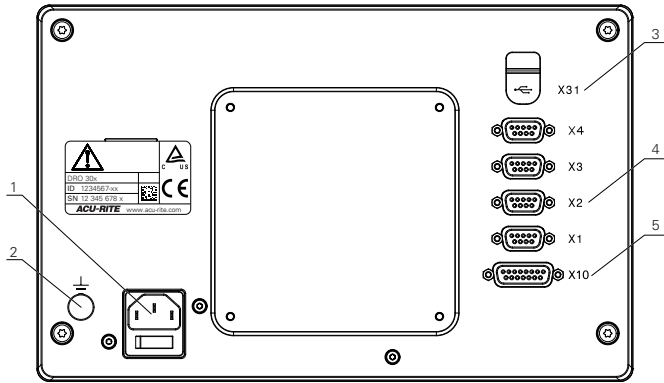
Installation Instructions.....	5
Guide d'installation.....	15
Instrucciones de instalación.....	25

A



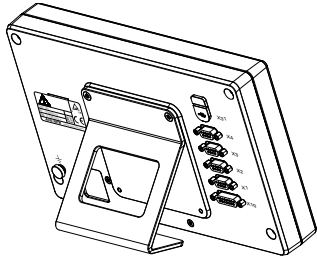
DRO 103

B

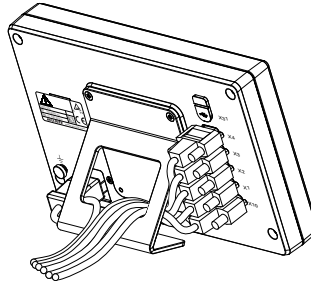


DRO 304

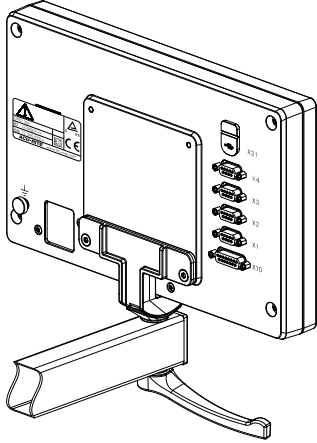
C



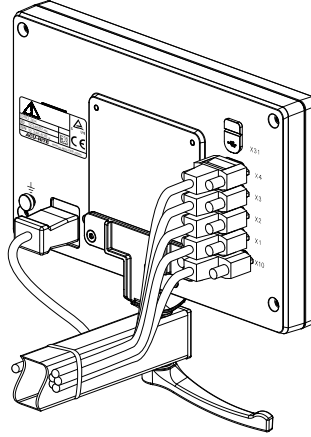
DRO 304



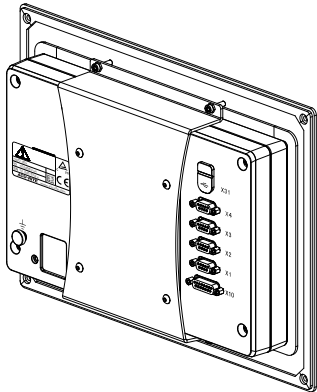
D



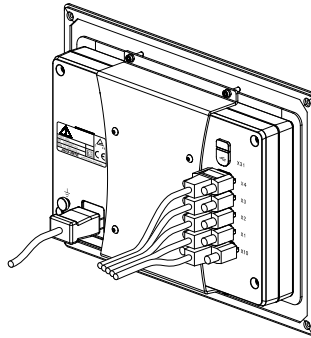
DRO 304



E



DRO 304



1 Fundamentals

1.1 About these instructions

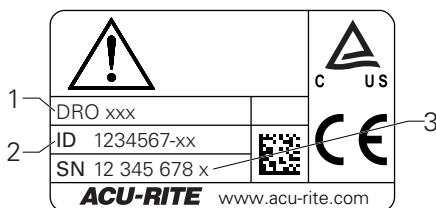
These instructions provide all the information and safety precautions needed for the proper mounting and installation of the product.

1.2 Information on the product

Product designation	Part number
DRO 101 1 axis	1197252-xx
DRO 102 2 axes	
DRO 103 3 axes	
DRO 203 3 axes	1197250-xx
DRO 303 3 axes with IOB 610/KT 130 connection	1197251-xx
DRO 304 4 axes with IOB 610/KT 130 connection	

The ID label is provided on the back of the product.

Example:



- 1 Product designation
- 2 Part number
- 3 Index

Validity of the documentation

Before using the documentation and the product, you need to verify that the documentation matches the product.

- ▶ Compare the part number and the index indicated in the documentation with the corresponding data given on the ID label of the product
- If the part numbers and indexes match, the documentation is valid



If the part numbers and indexes do not match so that the documentation is not valid, you will find the current documentation for the product at www.acu-rite.com.

1.3 Notes on reading the documentation

The table below lists the components of the documentation in the order of priority for reading.

⚠ WARNING

Fatal accidents, personal injury or property damage caused by non-compliance with the documentation!

Failure to comply with the documentation may result in fatal accidents, personal injury or property damage.

- ▶ Read the documentation carefully from beginning to end
- ▶ Keep the documentation for future reference

Documentation	Description
Addendum	An addendum supplements or supersedes the corresponding contents of the Operating Instructions and, if applicable, of the Installation Instructions. If this document is included in the shipment, read it first before you proceed. All other contents of the documentation retain their validity.
Installation Instructions	The Installation Instructions contain all the information and safety precautions needed for the proper mounting and installation of the product. They are an excerpt from the Operating Instructions and are included in every shipment. This document has the second highest priority for reading.
Operating Instructions	The Operating Instructions contain all the information and safety precautions needed for the proper operation of the product according to its intended use. This document has the third highest priority for reading. This documentation can be downloaded from the download area at www.acu-rite.com . The Operating Instructions must be printed prior to commissioning the product.
Documentation of connected measuring devices and other peripherals	These documents are not included in delivery. They are shipped with the respective measuring devices and peripherals.

Would you like any changes, or have you found any errors?

We are continuously striving to improve our documentation for you. Please help us by sending your requests to the following e-mail address:

userdoc@acu-rite.de

1.4 Storage and distribution of the documentation

The instructions must be kept in the immediate vicinity of the workplace and must be available to all personnel at all times. The operating company must inform the personnel where these instructions are kept. If the instructions have become illegible, the operating company must obtain a replacement from the manufacturer.

If the product is given or resold to any other party, the following documents must be passed on to the new owner:

- Addendum, if supplied
- Installation Instructions
- Operating Instructions

1.5 Target group for the instructions

The Installation Instructions must be read and observed by every person who performs any of the following tasks:

- Mounting
- Installation

1.6 Notes in this documentation

Safety precautions

Comply with all safety precautions indicated in these instructions and in your machine tool builder's documentation!

Precautionary statements warn of hazards in handling the product and provide information on their prevention. Precautionary statements are classified by hazard severity and divided into the following groups:

DANGER

Danger indicates hazards for persons. If you do not follow the avoidance instructions, the hazard will **result in death or severe injury**.

WARNING

Warning indicates hazards for persons. If you do not follow the avoidance instructions, the hazard **could result in death or serious injury**.

CAUTION

Caution indicates hazards for persons. If you do not follow the avoidance instructions, the hazard **could result in minor or moderate injury**.

NOTICE

Notice indicates danger to material or data. If you do not follow the avoidance instructions, the hazard **could result in things other than personal injury, like property damage**.

Informational notes

Observe the informational notes provided in these instructions to ensure reliable and efficient operation of the product.

In these instructions, you will find the following informational notes:



The information symbol indicates a **tip**. A tip provides important additional or supplementary information.



The gear symbol indicates that the function described **depends on the machine**, e.g.

- Your machine must feature a certain software or hardware option
- The behavior of the function depends on the configurable machine settings



The book symbol represents a **cross reference** to external documentation, e.g. the documentation of your machine tool builder or other supplier.

2 Safety

2.1 General safety precautions

General accepted safety precautions, in particular the applicable precautions relating to the handling of live electrical equipment, must be followed when operating the system. Failure to observe these safety precautions may result in personal injury or damage to the product.

It is understood that safety rules within individual companies vary. If a conflict exists between the material contained in these instructions and the rules of a company using this system, the more stringent rules take precedence.

2.2 Intended use

The products of the DRO 100, DRO 200, and DRO 300 series are advanced digital readouts for use on manually operated machine tools. In combination with linear and angle encoders, digital readouts of the DRO 100, DRO 200, and DRO 300 series display the position of the tool in more than one axis and provide further functions for operating the machine tool.

The products of the DRO 100, DRO 200, and DRO 300 series:

- must only be used in commercial applications and in an industrial environment
- must be mounted on a suitable stand or holder to ensure the correct and intended operation of the product
- are intended for indoor use in an environment in which the contamination caused by humidity, dirt, oil and lubricants complies with the requirements of the specifications



The products of the DRO 100, DRO 200, and DRO 300 series support the use of a wide variety of peripheral devices from different manufacturers. HEIDENHAIN cannot make any statements on the intended use of these devices. The information on their intended use, which is provided in the associated documentations, must be observed.

2.3 Improper use

When the product is used it must be ensured that no hazard to persons can result. If any such hazard exists, appropriate measures must be taken by the operating company.

In particular, the product must not be used in the following applications:

- Use and storage outside the specifications
- Outdoor use
- Use in potentially explosive atmospheres
- Use of the product as part of a safety function

2.4 Personnel qualification

The personnel for mounting and installation must be appropriately qualified for this work and must have obtained sufficient information from the documentation supplied with the product and with the connected peripherals.

The personnel required for the individual activities to be performed on the product are indicated in the respective sections of these instructions.

The personnel groups that are responsible for mounting and installation have different qualifications and tasks, which are specified as follows.

Qualified personnel

The qualified personnel are trained by the operating company to perform advanced operation and parameterization. The qualified personnel have the required technical training, knowledge and experience and know the applicable regulations, and are thus capable of performing the assigned work regarding the application concerned and of proactively identifying and avoiding potential risks.

Electrical specialist

The electrical specialist has the required technical training, knowledge and experience and knows the applicable standards and regulations, and is thus capable of performing work on electrical systems and of proactively identifying and avoiding potential risks. Electrical specialists have been specially trained for the environment they work in.

Electrical specialists must comply with the provisions of the applicable legal regulations on accident prevention.

2.5 Obligations of the operating company

The operating company owns or leases the product and the peripherals. It is responsible that the intended use is complied with at all times.

The operating company must:

- Assign the different tasks to be performed on the product to appropriate, qualified, and authorized personnel
- Verifiably train personnel in the tasks they are allowed to perform and how to perform them
- Provide all materials and means necessary in order for personnel to complete the assigned tasks
- Ensure that the product is operated only when in perfect technical condition
- Ensure that the product is protected from unauthorized use

2.6 General safety precautions



The safety of any system incorporating the use of this product is the responsibility of the assembler or installer of the system.



The product supports the use of a wide variety of peripheral devices from different manufacturers. HEIDENHAIN cannot make any statements on the specific safety precautions to be taken for these devices. The safety precautions provided in the respective documentations must be observed. If no such information has been supplied, it must be obtained from the manufacturers concerned.

The specific safety precautions required for the individual activities to be performed on the product are indicated in the respective sections of these instructions.

2.6.1 Symbols in the instructions

The following safety symbols are used in this manual:

Symbol	Meaning
	Identifies information that warns of personal injury
	Identifies electrostatic sensitive devices (ESD)
	ESD wristband for personal grounding

2.6.2 Symbols on the product

The following symbols are used to identify the product:

Symbol	Meaning
	Observe the safety precautions regarding electricity and power connection before you connect the product
	Earth (ground) terminal as per IEC 60417 - 5017. Observe the information on installation.

2.6.3 Electrical safety instructions

WARNING

Hazard of contact with live parts when opening the product.

This may result in electric shock, burns or death.

- ▶ Never open the housing
- ▶ Only the manufacturer is permitted to access the inside of the product

WARNING

Hazard of dangerous amount of electricity passing through the human body upon direct or indirect contact with live electrical parts.

This may result in electric shock, burns or death.

- ▶ Work on the electrical system and live electrical components is to be performed only by trained specialists
- ▶ For power connection and all interface connections, use only cables and connectors that comply with applicable standards
- ▶ Have the manufacturer exchange defective electrical components immediately
- ▶ Regularly inspect all connected cables and all connections on the product. Defects, such as loose connections or scorched cables, must be removed immediately

NOTICE

Damage to internal parts of the product!

Opening the product will result in forfeiture of warranty and guarantee.

- ▶ Never open the housing
- ▶ Only the product manufacturer is permitted to access the inside of the product

3 Transport and storage

3.1 Overview

This chapter contains all of the information necessary for the transportation and storage of the product and provides an overview of the items supplied and the available accessories for the product.

3.2 Unpacking

- ▶ Open the top lid of the box
- ▶ Remove the packaging materials
- ▶ Unpack the contents
- ▶ Check the delivery for completeness
- ▶ Check the delivery for damage

3.3 Items supplied and accessories

Items supplied

The following items are included in the shipment:

- Product
- Power cord (in 1197250-0x, 1197251-0x, 1197252-0x)
- Installation instructions
- Addendum (optional)

Further information: "Notes on reading the documentation", Page 5

Accessories

The following items are optionally available and can be ordered from HEIDENHAIN as additional accessories:

Accessories	Part number
Single-Pos stand For rigid mounting, inclination angle 20°	1197273-01
Multi-Pos holder For fastening on an arm, continuously tiltable and swivelable	1197273-02
Mounting frame For mounting to a panel. Compatible with DRO 203 and DRO 30x products only.	1197274-01
Cover For protection from dirt and debris	1197275-01
KT 130 edge finder For probing a workpiece (for setting reference points). Compatible with DRO 30x products only.	283273-xx
IOB 610 For switching input and output functions. Compatible with DRO 30x products only.	1197271-01

3.4 In case of damage in transit

- ▶ Have the shipping agent confirm the damage
- ▶ Keep the packaging materials for inspection
- ▶ Notify the sender of the damage
- ▶ Contact the distributor or machine manufacturer for replacement parts



In case of damage in transit:

- ▶ Keep the packaging materials for inspection
- ▶ Contact HEIDENHAIN or the machine manufacturer

This applies also if damage occurred to requested replacement parts during transit.

3.5 Repackaging and storage

Repackage and store the product carefully in accordance with the conditions stated below.

Repackaging

Repackaging should correspond to the original packaging as closely as possible.

- ▶ Attach all mounting parts and dust protection caps to the product or repackage them in the same way they were originally shipped from the factory.
- ▶ Repackage the product such that it is protected from impact and vibration during transit
- ▶ Repackage the product such that it is protected from the ingress of dust or humidity
- ▶ Place all accessories that were included in the shipment in the original packaging

Further information: "Items supplied and accessories", Page 9

- ▶ Include the Addendum (if it was included in the items supplied), the Installation Instructions and the Operating Instructions

Further information: "Storage and distribution of the documentation", Page 6



If you return the product for repair to a service agency:

- ▶ Ship the product without accessories, without measuring devices and without peripherals

Storage of the product

- ▶ Package the product as described above
- ▶ Observe the specified ambient conditions
- ▶ Inspect the product for damage after any transport or longer storage times

4 Mounting

4.1 Overview

This chapter contains all of the information necessary for mounting the product.



The following steps are only to be performed by qualified personnel.

Further information: "Personnel qualification", Page 7

4.2 Assembly

General mounting information

The receptacle for the mounting variants is provided on the rear panel. The connection is compatible with VESA standard 100 mm x 100 mm.

DRO 10x: **Further information:** "G", Page 35

DRO 203, DRO 30x: **Further information:** "K", Page 36

The material for attaching the mounting variants on the device is included in the delivery.

You will also need the following:

- Torx T20 screwdriver
- 2.5 mm allen wrench
- 7 mm socket wrench
- Material for mounting on supporting surface



The product must be mounted on a stand or holder to ensure the correct and intended operation of the product.

Routing the cables



In the figures showing the stand and holder, you will find suggestions for routing the cables after mounting.

Single-Pos stand: **Further information:** "C", Page 4

Multi-Pos holder: **Further information:** "D", Page 4

Mounting frame: **Further information:** "E", Page 4

If mounting to a stand:

- ▶ Bring the cables together
- ▶ Route the cables together through the opening in the stand from behind
- ▶ Route the cables laterally to the connections

If mounting to a holder:

- ▶ Bring the cables together
- ▶ Route the cables laterally to the connections
- ▶ Secure the cables to the arm with cable ties

4.2.1 Mounting on Single-Pos stand

The Single-Pos stand allows you to place the product on a surface at an inclination angle of 20° and secure the product to a surface.

Mount the stand to the upper VESA 100 tapped holes on the rear panel of the product

- ▶ Use a Torx T20 screwdriver to tighten the countersunk head screws M4 x 8 ISO 14581 included in delivery
- ▶ Comply with the permissible tightening torque of 2.6 Nm

Secure the product against movement during operation

- ▶ Attach the supplied self-adhesive rubber pads to the bottom of the product
- ▶ If you do not screw the product to a surface, attach self-adhesive rubber pads to the bottom of the stand



Attach the rubber pads to the stand only if you do not screw the product to a surface.

Further information: "C", Page 4

Dimensions of the Single-Pos stand

DRO 10x: **Further information:** "H", Page 35

DRO 203, DRO 30x: **Further information:** "L", Page 37

4.2.2 Mounting on Multi-Pos holder

Mount the holder to the bottom VESA 100 tapped holes on the rear panel of the product

- ▶ Use a Torx T20 screwdriver to tighten the countersunk head screws M4 x 10 ISO 14581 (black) included in delivery
- ▶ Comply with the permissible tightening torque of 2.5 Nm

You can tilt and swivel the holder to an angle that allows you to comfortably view the readout.

Further information: "D", Page 4

Dimensions of the Multi-Pos holder

DRO 10x: **Further information:** "I", Page 36

DRO 203, DRO 30x: **Further information:** "M", Page 37

4.2.3 Mounting in a mounting frame



The mounting frame is compatible with DRO 203 and DRO 30x products only.

The mounting frame allows you to mount the product in a panel.

Mount the rear plate of the frame to the VESA 100 tapped holes on the rear panel of the product

- ▶ Use a 2.5 mm allen wrench to tighten the screws M4 x 6 ISO 7380 included in delivery
- ▶ Comply with the permissible tightening torque of 2.6 Nm

Mount the rear plate and the product to the front plate of the frame

- ▶ Use a 7 mm socket wrench to tighten the nuts M4 ISO 10511 included in delivery
- ▶ Comply with the permissible tightening torque of 3.5 Nm

Mount the frame and readout in the panel

- ▶ Refer to the mounting instructions provided with the mounting frame for panel cutout and mounting information

Further information: "E", Page 4

Dimensions of the mounting frame

Further information: "N", Page 37

4.2.4 Mounting a cover

The cover protects the product from dirt and debris.

Place the cover on the product

- ▶ Place the cover over the product
- ▶ Align the cover and product on the right hand side, when viewing the front of the product

Mount the cover to the product

- ▶ Remove the adhesive strip protectors from the adhesive tabs
- ▶ Fold the adhesive tabs toward the product
- ▶ Press the adhesive tabs against the product securing the tab to the product

5 Installation

5.1 Overview

This chapter contains all the information necessary for installing the product.



The following steps must be performed only by qualified personnel.

Further information: "Personnel qualification", Page 7

5.2 General information

NOTICE

Engaging and disengaging connecting elements!

Risk of damage to internal components.

- ▶ Do not engage or disengage any connecting elements while the unit is under power

NOTICE

Electrostatic discharge (ESD)!

This product contains electrostatic sensitive components that can be destroyed by electrostatic discharge (ESD).

- ▶ It is essential to observe the safety precautions for handling ESD-sensitive components
- ▶ Never touch connector pins without ensuring proper grounding
- ▶ Wear a grounded ESD wristband when handling product connections

NOTICE

Incorrect pin assignment!

This may cause product malfunctions or damage to the product.

- ▶ Only assign pins or wires that are used

5.3 Product overview

The connections on the rear panel of the device are protected by dust protection caps from contamination and damage.

NOTICE

Contamination or damage may result if the dust protection caps are missing!

This may impair the proper functioning of the contacts or destroy them.

- ▶ Remove dust protection caps only when connecting measuring devices or peripherals
- ▶ If you remove a measuring device or peripheral, reattach the dust protection cap to the connection



The type and number of connections may vary depending on the product version.

Rear panel without dust protection caps

DRO 10x: **Further information:** "A", Page 3

DRO 203, DRO 30x: **Further information:** "B", Page 3

Rear panel

- 1 Power switch and power connection
- 2 Earth (ground) terminal as per IEC 60471 - 5017
- 3 **X31:** USB 2.0 Hi-Speed connection (Type C) for USB mass storage device and PC connection (beneath protective cover)
- 4 **X1 to X4:** Device variant with 9-pin D-sub connections for encoders with TTL interface
- 5 **X10:** 15-pin D-sub connection for touch probes and auxiliary devices (e.g. HEIDENHAIN touch probe, IOB). Available on DRO 30x products only.

5.4 Connecting the encoders

- ▶ Remove and save the dust protection caps
- ▶ Route the cables depending on the mounting variant

Further information: "Assembly", Page 10

- ▶ Connect the encoder cables tightly to the respective connections

Further information: "Product overview", Page 12

- ▶ If the cable connectors include mounting screws, do not overtighten them

Pin layout of X1 to X4

Further information: "O", Page 38

5.5 Connecting a USB device

- ▶ Open the dust protection cap
- ▶ Connect the USB device or cable to the respective connection

Further information: "Product overview", Page 12

Pin layout of X31

Further information: "P", Page 38

5.6 Connecting a touch probe



The following touch probe can be connected to a DRO 30x product:

- HEIDENHAIN KT 130 edge finder

Further information: "Accessories", Page 9

- ▶ Remove and save the dust protection caps
- ▶ Route the cables depending on the mounting variant

Further information: "Assembly", Page 10

- ▶ Connect the touch probe tightly to connection X10

Further information: "Product overview", Page 12

- ▶ If the cable connectors include mounting screws, do not overtighten them

Pin layout of X10

Further information: "Q", Page 38

5.7 Connecting the line voltage

WARNING

Risk of electric shock!

Improper grounding of electrical devices may result in serious personal injury or death by electric shock.

- ▶ Always use 3-wire power cables
- ▶ Make sure the ground wire is correctly connected to the ground of the building's electrical installations

WARNING

Fire hazard from the use of power cables that do not meet the national requirements of the respective country in which the product is mounted.

Improper grounding of electrical devices may result in serious personal injury or death by electric shock.

- ▶ Use only a power cable that meets at least the national requirements of the respective country in which the product is mounted
- ▶ Use a power cable that meets the requirements to connect the power connection to a 3-wire grounded power outlet

Further information: "Product overview", Page 12

Pin layout of the power connection

Further information: "R", Page 38

6 Specifications

6.1 Product specifications

Product

Housing	Die cast aluminum
Housing dimensions	DRO 10x <ul style="list-style-type: none"> ■ 285 mm x 160 mm x 46 mm DRO 203, DRO 30x <ul style="list-style-type: none"> ■ 285 mm x 180 mm x 46 mm
Fastener system, mating dimensions	VESA MIS-D, 100 100 mm x 100 mm

Display

Visual display unit	<ul style="list-style-type: none"> ■ LCD Widescreen (15:9) color screen 17.8 cm (7") ■ 800x 480 pixels
User interface	User interface (GUI) with keypad

Electrical data

Power supply	<ul style="list-style-type: none"> ■ AC 100 V ... 240 V (± 10 %) ■ 50 Hz ... 60 Hz (± 5 %) ■ Input power max. 30 W
Oversvoltage category	II
Number of encoder inputs	DRO 10x <ul style="list-style-type: none"> ■ 1, 2, or 3 DRO 203 <ul style="list-style-type: none"> ■ 3 DRO 30x <ul style="list-style-type: none"> ■ 3 or 4
Encoder interfaces	TTL: Max. current 300 mA max. input frequency 500 kHz
KT 130, IOB 610 interface	DC 5 V (± 5 %)
Data interface	USB 2.0 Hi-Speed (Type C), max. current 500 mA

Ambient conditions

Operating temperature	0 °C ... 45 °C
Storage temperature	-20 °C ... 70 °C
Relative air humidity	40 % ... 80 % r.H., non-condensing
Altitude	≤ 2000 m

General information

Directives	<ul style="list-style-type: none"> ■ EMC Directive 2014/30/EU ■ Low Voltage Directive 2014/35/EU
Pollution degree	2
Protection EN 60529	<ul style="list-style-type: none"> ■ Front panel and side panels: IP 54 ■ Rear panel: IP 40
Mass	DRO 10x <ul style="list-style-type: none"> ■ 1.5 kg ■ With Single-Pos stand: 1.6 kg ■ With Multi-Pos holder: 1.9 kg DRO 203, DRO 30x <ul style="list-style-type: none"> ■ 1.9 kg ■ With Single-Pos stand: 2.0 kg ■ With Multi-Pos holder: 2.3 kg ■ With Mounting frame: 3.3 kg

6.2 Product dimensions and mating dimensions

Further information: Page 35 and the following pages.

All dimensions in the drawings are in millimeters.

1 Principes fondamentaux

1.1 À propos de ce guide

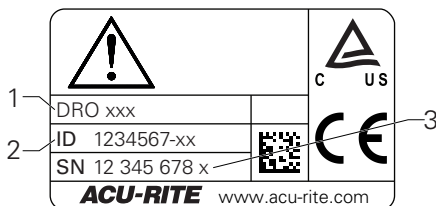
Ce guide fournit toutes les informations et toutes les mesures de sécurité dont vous avez besoin pour monter et installer correctement le produit.

1.2 Informations sur le produit

Désignation du produit	Numéro de série
DRO 101 1 axe	1197252-xx
DRO 102 2 axes	
DRO 103 3 axes	
DRO 203 3 axes	1197250-xx
DRO 303 3 axes avec connecteur IOB 610/KT 130	1197251-xx
DRO 304 4 axes avec connecteur IOB 610/KT 130	

L'étiquette signalétique se trouve au dos du produit.

Exemple :



- 1 Désignation du produit
- 2 Numéro de série
- 3 Indice

Validité de la documentation

Avant d'utiliser la documentation avec le produit, vous devez vérifier que la documentation concorde bien avec le produit.

- ▶ Comparer le numéro de série et l'indice indiqués dans la documentation avec les données correspondantes qui figurent sur l'étiquette signalétique du produit.
- ▶ Si les numéros de série et les indices concordent, c'est que la documentation est la bonne.



Si les numéros de série et les indices ne concordent pas, c'est que la documentation n'est pas valide. Vous trouverez la documentation actuelle du produit sous www.acu-rite.com.

1.3 Comment lire la documentation

Le tableau ci-après dresse la liste des documents qui composent la documentation, dans l'ordre de priorité de lecture.

⚠ AVERTISSEMENT

Accidents graves, blessures corporelles ou dégâts matériels dus au non-respect de la documentation !

Le non-respect de la documentation peut entraîner des accidents graves, des blessures corporelles ou des dégâts matériels.

- ▶ Lire la documentation attentivement, du début jusqu'à la fin
- ▶ Conserver la documentation pour de plus amples informations

Documentation	Description
Addendum	Un addendum complète ou remplace certaines parties du guide d'utilisation et, le cas échéant, du guide d'installation. Si ce document est inclus dans la livraison, vous devez le lire en premier avant toute utilisation du produit. Tous les autres contenus de la documentation conservent leur validité.
Guide d'installation	Le guide d'installation contient toutes les informations et toutes les mesures de sécurité dont vous avez besoin pour monter et installer le produit correctement. Il est extrait du guide d'utilisation et est inclus dans chaque livraison. Ce document arrive en deuxième position de priorité de lecture.
Guide d'utilisation	Le guide d'utilisation contient toutes les informations et toutes les mesures de sécurité dont vous avez besoin pour faire fonctionner le produit correctement. Ce document arrive troisième position de priorité de lecture. Cette documentation peut être téléchargée depuis la zone de téléchargement sous www.acu-rite.com . Il faut imprimer le guide d'utilisation avant de mettre le produit en service.
Documentation portant sur les systèmes de mesure et les appareils périphériques raccordés	Ces documents ne sont pas compris dans la livraison. Ils sont joints aux systèmes de mesure et aux appareils périphériques respectifs.

Modification souhaitée ou découverte d'une "coquille" ?

Nous nous efforçons sans cesse d'améliorer notre documentation. Veuillez nous aider en nous faisant part de vos suggestions à l'adresse e-mail suivante :

userdoc@acu-rite.de

1.4 Conservation et diffusion de la documentation

Les guides doivent être à proximité immédiate du lieu de travail et être à la disposition du personnel à tout moment. La société exploitante doit informer son personnel du lieu où sont conservés ces guides. Si un guide est devenu illisible, la société exploitante est tenue de le remplacer en se procurant un nouvel exemplaire auprès du fabricant. Si le produit est remis ou revendu à un tiers, les documents ci-après doivent être remis au nouveau propriétaire :

- l'addendum, le cas échéant
- le guide d'installation
- le guide d'utilisation

1.5 Groupe-cible du guide d'installation

Le guide d'installation doit être lu et respecté par toutes les personnes en charge de l'une des tâches suivantes :

- le montage
- l'installation

1.6 Notes figurant dans cette documentation

Mesures de sécurité

Respecter toutes les mesures de sécurité indiquées dans le présent guide et dans la documentation du constructeur de la machine-outil !

Les consignes de sécurité mettent en garde l'utilisateur contre les risques liés à l'utilisation du produit, et indiquent comment les éviter. Les consignes de sécurité sont classées par catégorie en fonction du degré de gravité du danger :

DANGER

Danger signale un risque pour les personnes. Si vous n'observez pas les mesures de prévention, le risque **entraînera des blessures graves voire mortelles.**

AVERTISSEMENT

Avertissement signale un risque pour les personnes. Si vous n'observez pas les mesures de prévention, le risque **pourrait entraîner des blessures graves voire mortelles.**

ATTENTION

Attention signale un risque pour les personnes. Si vous n'observez pas les mesures de prévention, le risque **pourrait entraîner des blessures mineures voire légères.**

REMARQUE

Note signale un danger pour le matériel ou les données. Si vous n'observez pas les mesures de prévention, le risque **pourrait entraîner autre chose que des blessures corporelles, par exemple par des dégâts matériels.**

Notes d'information

Respecter les notes d'information indiquées dans ce guide pour garantir un fonctionnement fiable et efficace produit.

Dans ce guide, vous trouverez les notes d'information suivantes :



Le symbole d'information indique une **astuce**. Une astuce fournit une information complémentaire ou supplémentaire d'ordre essentiel.



Le symbole correspondant à une roue dentée indique que la fonction décrite **dépend de la machine**, par exemple.

- Votre machine doit être dotée d'une certaine option de logiciel ou de matériel.
- Le comportement de la fonction dépend des paramètres configurables de la machine.



Le symbole correspondant à un livre indique une **référence croisée** à une documentation externe, par exemple la documentation du constructeur de votre machine ou d'un autre fournisseur.

2 Sécurité

2.1 Mesures de sécurité d'ordre général

Lorsque le système est en service, il est impératif d'observer les mesures de sécurité généralement reconnues, notamment celles qui portent sur la manipulation de l'équipement électrique sous tension. Un non respect de ces mesures de sécurité peut entraîner des blessures corporelles ou des dégâts sur le produit.

Il est entendu que les règles de sécurité peuvent varier d'une entreprise à l'autre. En cas de conflit entre le contenu des présentes instructions et les règles de sécurité de l'entreprise, ce sont les règles les plus strictes qui prévalent.

2.2 Utilisation conforme à la destination

Produits de pointe, les visualisations de cotes numériques des séries DRO 100, DRO 200 et DRO 300 s'utilisent sur des machines-outils qui fonctionnent en manuel. En combinaison avec des systèmes de mesure linéaire et angulaire, les visualisations numériques des séries DRO 100, DRO 200 et DRO 300 affichent la position de l'outil dans plusieurs axes et assurent d'autres fonctions permettant d'exploiter la machine-outil.

Les produits des séries DRO 100, DRO 200 et DRO 300 :

- doivent être uniquement utilisés dans le cadre d'applications commerciales et dans un environnement industriel
- doivent être montés sur un pied ou un support adapté afin de fonctionner correctement, selon leur finalité
- sont destinés à un usage intérieur, dans un environnement dont l'état de pollution dû à la présence d'humidité, de saletés, d'huiles et de lubrifiants répond aux exigences des spécifications



Les produits des séries DRO 100, DRO 200 et DRO 300 peuvent être utilisés avec une grande variété d'appareils périphériques de fabricants différents. HEIDENHAIN ne peut pas se prononcer sur l'utilisation conforme de ces appareils. Il est impératif de respecter les termes de l'information sur leur utilisation conforme. Cette information est jointe aux documents connexes.

2.3 Utilisation non conforme à la destination

Pendant le fonctionnement du produit, il faut exclure les dangers qui constituent une menace pour les personnes. En cas de danger, la société exploitante est tenue de prendre des mesures appropriées.

Les applications suivantes sont notamment interdites :

- utilisation et stockage non conformes aux spécifications
- utilisation extérieure
- utilisation dans un environnement potentiellement explosif
- utilisation du produit en tant que composant d'une fonction de sécurité

2.4 Qualification du personnel

Le personnel en charge du montage et de l'installation doit être qualifié pour effectuer ces tâches et doit avoir pris connaissance de la documentation fournie avec le produit et les périphériques raccordés.

Le personnel requis pour effectuer les différentes opérations sur le produit est précisé dans les chapitres respectifs de ce guide.

Les groupes de personnes responsables du montage et de l'installation ont différentes qualifications et différentes tâches qui, dans les deux cas, sont spécifiées ci-après.

Personnel qualifié

Le personnel qualifié est formé par la société exploitante pour faire fonctionner et paramétrer un produit de pointe. Le personnel qualifié fait preuve de la formation technique, des connaissances et de l'expérience requises et connaît la réglementation en vigueur de manière à pouvoir s'acquitter de la tâche qui lui incombe en tenant compte de l'application et de manière à identifier et prévenir les risques potentiels.

Spécialiste en électricité

Le spécialiste en électricité fait preuve de la formation technique, des connaissances et de l'expérience requises et connaît la réglementation et les normes en vigueur de manière à pouvoir travailler sur des systèmes électriques et de manière à identifier et prévenir les risques potentiels. Les spécialistes en électricité sont été spécialement formés pour l'environnement dans lequel ils travaillent.

Les spécialistes en électricité doivent respecter les dispositions de la réglementation légale sur la prévention des accidents.

2.5 Obligations de la société exploitante

La société exploitante possède ou loue le produit et les périphériques. Il lui incombe la responsabilité de garantir que le produit est utilisé à tout moment conformément à sa destination.

La société exploitante doit :

- affecter les différentes tâches à effectuer sur le produit à du personnel compétent, qualifié et habilité
- former son personnel, en en apportant la preuve, pour que celui-ci soit en mesure d'effectuer les tâches qui lui incombent
- fournir tout le matériel et tous les moyens nécessaires au personnel pour s'acquitter des tâches qui lui ont été assignées
- s'assurer que le produit est en parfait état technique avant de le faire fonctionner
- vérifier que le produit est protégé contre toute utilisation non autorisée

2.6 Mesures de sécurité d'ordre général



La sécurité du système dans lequel le produit est utilisé relève de la responsabilité du monteur ou de l'installateur de ce système.



Le produit peut être utilisé avec une grande variété d'appareils périphériques de fabricants différents. HEIDENHAIN ne peut se prononcer sur les mesures de sécurité spécifiques qui s'appliquent à ces appareils. Il est impératif de respecter les consignes de sécurité mentionnées dans la documentation concernée. Si vous ne disposez pas de ladite documentation, vous devez vous la procurer auprès du ou des fabricant(s) concerné(s).

Les mesures de sécurité spécifiques dont il faut tenir compte obligatoirement pour effectuer les différentes tâches sur le produit sont précisées dans les chapitres respectifs de ce guide.

2.6.1 Symboles figurant dans le guide

Les symboles de sécurité suivants sont utilisés dans ce guide :

Symbole	Signification
	identifie les informations qui mettent en garde contre des blessures corporelles
	identifie les appareils sensibles aux charges électrostatiques (ESD)
	bracelet ESD garantissant la mise à la terre du corps humain

2.6.2 Symboles figurant sur le produit

Les symboles suivants sont utilisés pour identifier le produit :

Symbole	Signification
	Avant de brancher le produit, respecter les mesures de sécurité en matière d'électricité et de raccordement au secteur
	Borne de mise à la terre conforme à la norme IEC 60417 - 5017 Observer les informations relatives à l'installation

2.6.3 Mesures de sécurité électrique

AVERTISSEMENT

Risque de contact avec les pièces sous tension lors de l'ouverture du produit.

Cela peut occasionner une décharge électrique, une brûlure voire la mort.

- ▶ Ne jamais ouvrir le boîtier
- ▶ Seul le fabricant est autorisé à accéder à l'intérieur du produit.

AVERTISSEMENT

Une quantité dangereuse d'électricité risque de circuler dans le corps humain sous l'effet d'un contact direct ou indirect avec des pièces sous tension.

Cela peut occasionner une décharge électrique, une brûlure voire la mort.

- ▶ Seuls des spécialistes en électricité sont habilités à travailler sur le système électrique ou les composants sous tension.
- ▶ Pour le raccordement au secteur et toutes les connexions d'interface, utiliser exclusivement des câbles et des connecteurs conformes aux normes en vigueur
- ▶ Faire en sorte que le fabricant change immédiatement les composants électriques défectueux
- ▶ Vérifier régulièrement tous les câbles raccordés et tous les connecteurs situés sur le produit. Remédier immédiatement aux défauts, tels que les connexions lâches ou les câbles roussis

REMARQUE

Endommagement des composants internes du produit !

L'ouverture du produit rend toute forme de garantie caduque.

- ▶ Ne jamais ouvrir le boîtier
- ▶ Seul le fabricant du produit est autorisé à accéder à l'intérieur du produit.

3 Transport et stockage

3.1 Vue d'ensemble

Ce chapitre contient toutes les informations nécessaires au transport et au stockage du produit et donne un aperçu des articles livrés et des accessoires disponibles.

3.2 Déballage

- ▶ Ouvrir le couvercle de la boîte
- ▶ Enlever les matériaux d'emballage
- ▶ Déballer le contenu
- ▶ Vérifier que le contenu de la livraison est complet
- ▶ Vérifier que le contenu de la livraison n'est pas endommagé

3.3 Contenu de la livraison et accessoires

Contenu de la livraison

La livraison contient les articles suivants :

- le produit
- le câble secteur (1197250-0x, 1197251-0x, 1197252-0x)
- un guide d'installation
- un addendum (optionnel)

Informations complémentaires: "Comment lire la documentation", Page 15

Accessoires

Les articles suivants sont disponibles en option et peuvent être commandés auprès de HEIDENHAIN en tant qu'accessoires complémentaires.

Accessoires	Numéro de série
Pied fixe Single-Pos pour monter l'appareil dans une position fixe, selon un angle d'inclinaison de 20°	1197273-01
Support Multi-Pos pour monter l'appareil sur un bras, inclinable et pivotant en continu	1197273-02
Cadre de montage pour monter l'appareil sur un panneau. Compatible uniquement avec les produits DRO 203 et DRO 30x	1197274-01
Cache pour protéger l'appareil des saletés et des débris	1197275-01
Palpeur d'arêtes KT 130 pour palper une pièce (pour définir les points de référence). Compatible uniquement avec les produits DRO 30x	283273-xx
IOB 610 pour commuter les fonctions d'entrée et de sortie. Compatible uniquement avec les produits DRO 30x	1197271-01

3.4 En cas d'avarie de transport

- ▶ Demander au transporteur de faire un constat de l'avarie
- ▶ Conserver les matériaux d'emballage pour les besoins de l'enquête
- ▶ Aviser l'expéditeur du dommage
- ▶ Contacter le distributeur ou le constructeur de la machine pour faire remplacer les pièces



En cas d'avarie de transport :

- ▶ Conserver les matériaux d'emballage pour les besoins de l'enquête
- ▶ Contacter HEIDENHAIN ou le constructeur de la machine

Ceci vaut également en cas d'avarie survenue sur des pièces de rechange pendant le transport.

3.5 Reconditionnement et stockage

Reconditionner et stocker le produit avec précaution, en tenant compte des conditions mentionnées ci-après

Reconditionnement

Reconditionner le produit de sorte que son emballage corresponde le plus possible à l'emballage d'origine

- ▶ Fixer toutes les pièces de montage et tous les caches anti-poussière sur le produit ou remballer les conformément à leur emballage d'origine
- ▶ Remballer le produit de sorte qu'il soit à l'abri des chocs et des vibrations pendant le transfert
- ▶ Remballer le produit de sorte que l'humidité et la poussière ne puissent pas pénétrer dans l'emballage
- ▶ Placer tous les accessoires qui étaient inclus dans l'emballage d'origine à la livraison

Informations complémentaires: "Contenu de la livraison et accessoires", Page 19

- ▶ Ajouter l'addendum (s'il était joint aux articles livrés), le guide d'installation et le guide d'utilisation

Informations complémentaires: "Conservation et diffusion de la documentation", Page 16



Si vous retournez le produit à votre service après-vente pour le faire réparer :

- ▶ Expédier le produit sans les accessoires, sans les systèmes de mesure et sans les périphériques

Stockage du produit

- ▶ Emballer le produit comme décrit ci-avant
- ▶ Observer les conditions ambiantes spécifiées
- ▶ Vérifier que le produit n'a pas été endommagé après chaque transport ou après un stockage de longue durée

4 Montage

4.1 Vue d'ensemble

Ce chapitre contient toutes les informations nécessaires au montage du produit.



Seul un personnel qualifié est habilité à réaliser les étapes suivantes :

Informations complémentaires:

"Qualification du personnel", Page 17

4.2 Assemblage

Informations de montage d'ordre général

Le système de fixation adapté aux variantes de montage est prévu au dos de l'appareil. L'agencement des trous est conforme à la norme VESA 100 mm x 100 mm.

DRO 10x : **Informations complémentaires:** "G", Page 35

DRO 203, DRO 30x : **Informations complémentaires:** "K", Page 36

Le matériel de fixation correspondant à la variante de montage est fourni avec l'appareil.

Il vous faut également :

- un tournevis Torx T20
- une clé allen 2,5 mm
- une clé à douille 7 mm
- du matériel de montage sur la surface de fixation



Le produit doit être monté sur un pied ou un support de manière à fonctionner correctement, conformément à sa destination.

Acheminement des câbles



Dans les figures illustrant le pied et le support de montage, vous trouverez des suggestions pour faire passer les câbles une fois le montage terminé.

Pied fixe Single-Pos : **Informations complémentaires:** "C", Page 4

Support Multi-Pos : **Informations complémentaires:** "D", Page 4

Cadre de montage : **Informations complémentaires:** "E", Page 4

Si le produit est monté sur un pied :

- ▶ Rassembler les câbles
- ▶ Faire passer l'ensemble des câbles dans l'ouverture du pied, en partant de l'arrière
- ▶ Faire passer les câbles sur le côté, en direction des connecteurs

Si le produit est monté sur un support :

- ▶ Rassembler les câbles
- ▶ Faire passer les câbles sur le côté, en direction des connecteurs
- ▶ Fixer les câbles au bras à l'aide des serre-câbles

4.2.1 Montage sur un pied fixe Single-Pos

Le pied fixe vous permet de placer le produit sur une surface selon un angle d'inclinaison de 20° ou de le visser sur une surface.

Monter le pied dans les trous taraudés VESA 100 qui sont prévus en haut au dos du produit

- ▶ Utiliser un tournevis Torx T20 pour serrer les vis à tête fraisée M4 x 8 ISO 14581 qui sont incluses dans la livraison
- ▶ Respecter le couple de serrage autorisé de 2,6 Nm

Sécuriser le produit pour éviter qu'il ne bouge pendant le service

- ▶ Fixer sous le produit les coussinets auto-adhésifs en caoutchouc qui sont inclus dans la livraison
- ▶ Si vous ne vissez pas le produit sur une surface, fixez les coussinets auto-adhésifs en caoutchouc sous le pied.



Ne fixez les coussinets en caoutchouc sous le pied que si vous ne vissez pas le produit sur une surface.

Informations complémentaires: "C", Page 4

Dimensions du pied fixe Single-Pos

DRO 10x : **Informations complémentaires:** "H", Page 35

DRO 203, DRO 30x : **Informations complémentaires:** "L", Page 37

4.2.2 Montage sur un support Multi-Pos

Monter le support dans les trous taraudés VESA 100 qui sont prévus en bas au dos du produit

- ▶ Utiliser un tournevis Torx T20 pour serrer les vis à tête fraisée M4 x 10 ISO 14581 (de couleur noire) qui sont incluses dans la livraison
- ▶ Respecter le couple de serrage autorisé de 2,5 Nm

Vous pouvez faire basculer et pivoter le support selon un angle qui vous garantira une parfaite visibilité de la visualisation de cotes.

Informations complémentaires: "D", Page 4

Dimensions du support Multi-Pos

DRO 10x : **Informations complémentaires:** "I", Page 36

DRO 203, DRO 30x : **Informations complémentaires:** "M", Page 37

4.2.3 Montage sur un cadre de montage



Le cadre de montage est compatible uniquement avec les produits DRO 203 et DRO 30x.

Le cadre de montage vous permet de monter le produit dans un panneau.

Monter la plaque arrière du cadre dans les trous taraudés VESA 100 qui sont prévus au dos du produit

- ▶ Utiliser une clé allen 2,5 mm pour serrer les vis M4 x 6 ISO 7380 qui sont incluses dans la livraison
- ▶ Respecter le couple de serrage autorisé de 2,6 Nm

Monter la plaque arrière avec le produit sur la plaque avant du cadre

- ▶ Utiliser une clé à douille 7 mm pour serrer les écrous M4 x 6 ISO 10511 qui sont inclus dans la livraison
- ▶ Respecter le couple de serrage autorisé de 3,5 Nm

Monter le cadre et la visualisation de cotes dans le panneau

- ▶ Pour obtenir une vue détaillée du panneau et des informations de montage, se référer aux instructions de montage fournies avec le cadre de montage

Informations complémentaires: "E", Page 4

Dimensions du cadre de montage

Informations complémentaires: "N", Page 37

4.2.4 Montage d'un cache

Le cache protège le produit des saletés et des débris.

Placer le cache sur le produit

- ▶ Placer le cache par dessus le produit
- ▶ Aligner le cache et le produit sur le côté droit, en regardant le produit de face

Monter le cache sur le produit

- ▶ Enlever le film protecteur placé sur les languettes adhésives
- ▶ Rabattre les languettes adhésives en direction du produit
- ▶ Comprimer les languettes adhésives contre le produit de sorte qu'elles ne puissent plus bouger

5 Installation

5.1 Vue d'ensemble

Ce chapitre contient toutes les informations nécessaires à l'installation du produit.



Seul un personnel qualifié est habilité à réaliser les étapes suivantes :

Informations complémentaires: "Qualification du personnel", Page 17

5.2 Informations d'ordre général

REMARQUE

Branchement et débranchement des éléments de connexion !

Risque d'endommager les composants internes.

- ▶ Ne procéder à aucune connexion/déconnexion tant que l'appareil est sous tension

REMARQUE

Décharge électrostatique (DES)

Ce produit contient des composants qui peuvent être facilement endommagés par des décharges électrostatiques (DES).

- ▶ Il est essentiel de respecter les mesures de sécurité pour manipuler les composants sensibles aux décharges électrostatiques.
- ▶ Ne jamais toucher les plots des connecteurs sans avoir vérifié la mise à la terre
- ▶ Porter un bracelet ESD pour intervenir sur les connecteurs du produit

REMARQUE

Mauvaise affection des plots !

Cela peut provoquer un dysfonctionnement du produit, voire l'endommager.

- ▶ Affecter uniquement les plots ou les fils qui sont utilisés

5.3 Vue d'ensemble du produit

Les connecteurs situés au dos de l'appareil sont protégés de la pollution et des dommages par des caches anti-poussière.

REMARQUE

Risque de pollution et d'endommagement de l'appareil si les caches anti-poussière manquent !

Cela peut entraver le bon fonctionnement des contacts, voire les détruire.

- ▶ Ne retirer les caches anti-poussière que pour raccorder les systèmes de mesure ou les périphériques
- ▶ Si vous débranchez un système de mesure ou un périphérique, remplacez ensuite le cache anti-poussière sur le connecteur.



Le nombre et le type de connecteurs peut varier en fonction de la version du produit.

Panneau arrière sans cache anti-poussière

DRO 10x : **Informations complémentaires:** "A", Page 3

DRO 203, DRO 30x : **Informations complémentaires:** "B", Page 3

Panneau arrière

- 1 Interrupteur d'alimentation et prise secteur
- 2 Borne de mise à la terre conforme à la norme IEC 60471 - 5017
- 3 **X31** : port USB 2.0 Hi-Speed (type C) pour l'unité de stockage de masse et le connecteur PC (sous le cache de protection)
- 4 **X1 à X4** : variante d'appareil avec connecteurs Sub-D 9 plots pour les systèmes de mesure à interface TTL
- 5 **X10** : connecteur Sub-D 15 plots pour palpeurs et appareils auxiliaires (p. ex. palpeur HEIDENHAIN, IOB). Disponible uniquement sur les produits DRO 30x.

5.4 Connexion des systèmes de mesure

- ▶ Retirer et conserver les caches anti-poussière
- ▶ Faire passer les câbles en fonction de la variante de montage

Informations complémentaires: "Assemblage", Page 20

- ▶ Raccorder les câbles des systèmes de mesure aux connecteurs correspondants

Informations complémentaires: "Vue d'ensemble du produit", Page 22

- ▶ Si les connecteurs de câbles sont prévus avec des vis de montage, ne pas serrer excessivement ces dernières

Affectation des plots de X1 à X4

Informations complémentaires: "O", Page 38

5.5 Connexion d'un périphérique USB

- ▶ Enlever le cache anti-poussière
- ▶ Insérer le périphérique USB ou le câble dans le connecteur correspondant

Informations complémentaires: "Vue d'ensemble du produit", Page 22

Affectation des plots de X31

Informations complémentaires: "P", Page 38

5.6 Connexion d'un palpeur



Le palpeur suivant peut être raccordé à un produit DRO 30x :

- Palpeur d'arêtes KT 130 HEIDENHAIN

Informations complémentaires:
"Accessoires", Page 19

- ▶ Enlever et conserver les caches anti-poussière
- ▶ Faire passer les câbles en fonction de la variante de montage

Informations complémentaires: "Assemblage", Page 20

- ▶ Brancher le palpeur sur le connecteur X10 en assurant un contact parfait

Informations complémentaires: "Vue d'ensemble du produit", Page 22

- ▶ Si les connecteurs de câbles sont prévus avec des vis de montage, ne pas serrer excessivement ces dernières

Affectation des plots de X10

Informations complémentaires: "Q", Page 38

5.7 Connexion de la tension secteur

AVERTISSEMENT

Risque d'électrocution !

S'ils ne sont pas mis à la terre correctement, les appareils électriques peuvent provoquer des décharges électriques, occasionnant ainsi des blessures corporelles graves voire mortelles.

- ▶ Utiliser toujours des câbles secteur à 3 fils
- ▶ S'assurer que le fil de mise à la terre est correctement raccordé à la terre de l'installation électrique du bâtiment

AVERTISSEMENT

Risque d'incendie dû à l'utilisation de câbles secteur qui ne sont pas conformes aux prescriptions nationales du pays dans lequel le produit est utilisé.

S'ils ne sont pas mis à la terre correctement, les appareils électriques peuvent provoquer des décharges électriques, occasionnant ainsi des blessures corporelles graves voire mortelles.

- ▶ Utiliser exclusivement un câble secteur qui soit au moins conforme aux prescriptions nationales du pays dans lequel le produit est utilisé

- ▶ Utiliser un câble secteur conforme aux exigences pour raccorder le connecteur d'alimentation à une prise de terre à 3 fils

Informations complémentaires: "Vue d'ensemble du produit", Page 22

Affectation des plots du connecteur d'alimentation

Informations complémentaires: "R", Page 38

6 Spécifications

6.1 Spécifications du produit

Produit

Boîtier	Fonte d'aluminium
Dimensions du boîtier	DRO 10x <ul style="list-style-type: none">■ 285 mm x 160 mm x 46 mm DRO 203, DRO 30x <ul style="list-style-type: none">■ 285 mm x 180 mm x 46 mm
Système de fixation, cotes d'encombrement	VESA MIS-D, 100 100 mm x 100 mm

Écran

Écran de visualisation	<ul style="list-style-type: none">■ Grand écran LCD (15:9) écran couleur 17,8 cm (7")■ 800 x 480 pixels
Interface utilisateur	Interface utilisateur (GUI) avec clavier

Données électriques

Alimentation en énergie	<ul style="list-style-type: none">■ 100 V CA ... 240 V (± 10 %)■ 50 Hz ... 60 Hz (± 5 %)■ Puissance d'entrée max. 30 W
Catégorie de surtension	II
Nombre d'entrées pour les systèmes de mesure	DRO 10x <ul style="list-style-type: none">■ 1, 2 ou 3 DRO 203 <ul style="list-style-type: none">■ 3 DRO 30x <ul style="list-style-type: none">■ 3 ou 4
Interfaces de systèmes de mesure	TTL : Courant max. 300 mA fréquence d'entrée max. 500 kHz
KT 130, interface IOB 610	5 V CC (± 5 %)
Interface de données	USB 2.0 Hi-Speed (type C), courant max. 500 mA

Conditions ambiantes

Température de service	0 °C ... 45 °C
Température de stockage	-20 °C ... 70°C
Humidité relative de l'air	40 % ... 80 % r.H., sans condensation
Altitude	≤ 2000 m

Informations d'ordre général

Directives	<ul style="list-style-type: none">■ Directive CEM 2014/30/UE■ Directive Basse tension 2014/35/UE
Degré de pollution	2
Indice de protection EN 60529	<ul style="list-style-type: none">■ Panneau avant et panneaux latéraux : IP 54■ Panneau arrière : IP 40
Poids	DRO 10x <ul style="list-style-type: none">■ 1,5 kg■ Avec un pied fixe Single-Pos: 1,6 kg■ Avec un support Multi-Pos : 1,9 kg DRO 203, DRO 30x <ul style="list-style-type: none">■ 1,9 kg■ Avec un pied fixe Single-Pos : 2,0 kg■ Avec un support Multi-Pos : 2,3 kg■ Avec un cadre de montage : 3,3 kg

6.2 Dimensions du produit et cotes d'encombrement

Informations complémentaires: Page 35 et les pages suivantes.

Toutes les cotes indiquées dans les dessins sont en millimètres.

1 Conceptos básicos

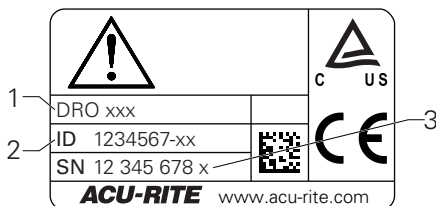
1.1 Sobre estas instrucciones

Estas instrucciones proporcionan toda la información y medidas de seguridad necesarias para el montaje y la instalación adecuados de la unidad.

1.2 Información sobre la unidad

Denominación del producto	Número de pieza
DRO 101 1 eje	1197252-xx
DRO 102 2 ejes	
DRO 103 3 ejes	
DRO 203 3 ejes	1197250-xx
DRO 303 3 ejes con conexión IOB 610/KT 130	1197251-xx
DRO 304 4 ejes con conexión IOB 610/KT 130	

La etiqueta ID figura en la parte posterior del la unidad
Ejemplo:



- 1 Denominación del producto
- 2 Número de pieza
- 3 Índice

Validez de la documentación

Antes de usar la documentación y la unidad, es necesario que verifique que la documentación corresponde con la unidad.

- ▶ Compare el número de pieza y el índice indicados en la documentación con los datos correspondientes proporcionados en la etiqueta de ID de identificación de la unidad.
- > Si los números de pieza y los índices concuerdan, la documentación es válida



Si los números de pieza y los índices no concuerdan y la documentación no es válida, encontrará la documentación actual para la unidad en www.acu-rite.com.

1.3 Notas al leer la documentación

En la tabla siguiente se muestra una lista de los componentes de la documentación por orden de prioridad de lectura.

⚠ ADVERTENCIA

No seguir la documentación provoca accidentes fatales, lesiones o daños a la propiedad.

No seguir la documentación puede provocar accidentes fatales, lesiones o daños a la propiedad.

- ▶ Lea la documentación detenidamente de principio a fin
- ▶ Guarde la documentación para consultas posteriores

Documentación	Descripción
Anexo	Un anexo suplementa o sustituye los contenidos correspondientes al Manual de instrucciones y, en caso aplicable, a las Instrucciones de instalación. Si este documento se incluye en el envío, léalo antes de proceder. El resto de contenidos de la documentación siguen teniendo validez.
Instrucciones de instalación	Estas Instrucciones de instalación contienen toda la información y medidas de seguridad necesarias para el montaje y la instalación adecuados de la unidad. Son un extracto del Manual de instrucciones y están incluidas en todos los envíos. Este documento es el segundo en prioridad de lectura.
Manual de instrucciones	Este Manual de instrucciones contiene toda la información y medidas de seguridad necesarias para la operación correcta de la unidad según su uso previsto. Este documento es el tercero en prioridad de lectura. Esta documentación se puede descargar desde el apartado de descargas en www.acu-rite.com El Manual de instrucciones debe imprimirse antes de la puesta en marcha de la unidad.
Documentación de medida conectados y otros periféricos	Estos documentos no se incluyen en el envío. Se envían con los correspondientes sistemas de medida y periféricos.

¿Le gustaría añadir algún cambio o ha encontrado algún error?

Siempre nos esforzamos para mejorar nuestra documentación para usted. Por favor, ayúdenos enviando sus peticiones a la dirección de correo electrónico siguiente:

userdoc@acu-rite.de

1.4 Almacenamiento y distribución de la documentación

Las instrucciones deben guardarse en las proximidades del espacio de trabajo y deben estar disponibles a todo el personal en todo momento. La empresa operadora debe informar al personal del lugar donde se guardan estas instrucciones. Si las instrucciones dejan de ser legibles, la empresa operadora debe obtener un reemplazo del fabricante.

Si la unidad se entrega o revende a cualquier tercera parte, los siguientes deben transferirse al nuevo dueño:

- Anexo, si se incluye
- Instrucciones de instalación
- Modo de Empleo

1.5 Público objetivo de las instrucciones

Toda persona que realice alguna de las siguientes tareas debe leer y cumplir las Instrucciones de instalación:

- Fijación
- Instalación

1.6 Notas en esta documentación

Medidas de seguridad

Cumpla con todas las medidas de seguridad indicadas en estas instrucciones y en la documentación del fabricante.

Los consejos de prudencia advierten de los peligros durante el manejo de la unidad y proporcionan información sobre su prevención. Los consejos de prudencia están clasificados por la gravedad del peligro y divididos en los siguientes grupos:

PELIGRO

Peligro indica peligro para las personas. Si no sigue las instrucciones para evitarlo, el peligro **resultará en la muerte o en lesiones graves**.

ADVERTENCIA

Advertencia indica peligro para las personas. Si no sigue las instrucciones para evitarlo, el peligro **podría resultar en la muerte o en lesiones graves**.

PRECAUCIÓN

Precaución indica peligro para las personas. Si no sigue las instrucciones para evitarlo, el peligro **podría resultar en lesiones menores o moderadas**.

INDICACIÓN

Nota indica peligro para materiales o datos. Si no sigue las instrucciones para evitarlo, el peligro **podría resultar en daños a objetos, en lugar de en lesiones, como daño a la propiedad**.

Notas informativas

Siga las notas informativas proporcionadas en estas instrucciones para garantizar la operación fiable y eficiente de la unidad.

En estas instrucciones encontrará las siguientes notas informativas:



El símbolo de información indica un **consejo**. Un consejo proporciona información adicional o suplementaria importante.



El símbolo del engranaje indica que la función descrita **depende de la máquina**, por ejemplo,

- Su máquina debe presentar un software o una opción de hardware concretos
- El comportamiento de la función depende de los ajustes configurables de la máquina



El símbolo del libro representa una **referencia cruzada** a documentación externa, p. ej., la documentación de su fabricante u otro proveedor.

2 Seguridad

2.1 Medidas de seguridad generales

Las medidas de seguridad generales aceptadas, en concreto las medidas aplicables relacionadas con el manejo de equipo eléctricos bajo tensión deben respetarse al operar el sistema. No respetar estas medidas de seguridad puede ocasionar lesiones o daños a la unidad.

Se entiende que las normas de seguridad pueden diferir en cada empresa. En caso de conflicto entre el material incluido en estas instrucciones y las normas de una empresa que utiliza este sistema se debería considerar las normas más restrictivas.

2.2 Uso previsto

Las unidades de las series DRO 100, DRO 200 y DRO 300 son contadores avanzados para el uso en herramientas mecánicas manuales. En combinación con sistemas de medida lineales y angulares, los contadores de las series DRO 100, DRO 200 y DRO 300 muestran la posición de la herramienta en más de un eje y proporcionan funciones adicionales para operar la herramienta mecánica.

Las unidades de las series DRO 100, DRO 200 y DRO 300:

- solo se pueden usar en aplicaciones comerciales y en un entorno industrial
- deben montarse en un soporte o sujeción adecuados para garantizar un funcionamiento correcto de la unidad según lo previsto
- están previstos para uso en interiores en un entorno en el que la contaminación provocada por la humedad, suciedad, aceite y lubricantes cumple con las exigencias de las especificaciones



Las unidades de las series DRO 100, DRO 200 y DRO 300 son compatibles con la utilización de una extensa variedad de dispositivos periféricos de diversos fabricantes. HEIDENHAIN no puede efectuar ninguna declaración acerca del uso previsto de estos dispositivos. Debe cumplirse la información acerca de su uso previsto, la cual se proporciona en la documentación asociada.

2.3 Uso indebido

Cuando se utilice la unidad, debe asegurarse de que no sea peligroso para las personas. Si existiese algún peligro, la empresa operadora deberá tomar las medidas adecuadas.

En concreto, la unidad no debe utilizarse en las siguientes aplicaciones:

- Uso y almacenamiento fuera de las especificaciones
- Uso en exteriores
- Uso en atmósferas con peligro de explosión
- Uso de la unidad como parte de una función de seguridad

2.4 Cualificación del personal

El personal para el montaje y la instalación debe tener la cualificación adecuada para este trabajo y debe haber obtenido la suficiente información de la documentación proporcionada con la unidad y con los periféricos conectados.

El personal necesario para las actividades independientes que deberán realizarse en la unidad está indicado en las correspondientes secciones de estas instrucciones.

Los grupos de personal responsables del montaje y la instalación tienen diferentes cualificaciones y tareas, especificadas a continuación.

Personal cualificado

El personal cualificado está formado por la empresa operadora para realizar una operación y parametrización avanzadas. El personal cualificado tiene la formación técnica, el conocimiento y la experiencia necesarios y conoce la normativa aplicable, por lo que es capaz de llevar a cabo el trabajo asignado relacionado con la aplicación correspondiente y de identificar y prevenir posibles riesgos.

Electricista especializado

El personal cualificado tiene la formación técnica, el conocimiento y la experiencia necesarios y conoce la normativa aplicable, por lo que es capaz de llevar a cabo el trabajo asignado relacionado con la aplicación correspondiente y de identificar y prevenir posibles riesgos. Los electricistas especializados han sido especialmente entrenados para el entorno en el que trabajan.

Los electricistas especializados deben cumplir las disposiciones de la normativa legal aplicable sobre prevención de accidentes.

2.5 Obligaciones de la empresa operadora

La empresa es la propietaria o la arrendataria de la unidad y los periféricos. Es la responsable de que se cumpla el uso previsto en todo momento.

La empresa operadora debe:

- Asignar las diferentes tareas que se van a realizar sobre el producto a personal adecuado, cualificado y autorizado
- Formar de forma demostrable al personal en las tareas que está autorizado a realizar y en cómo realizarlas
- Proporcionar todo el material y los medios necesarios para que el personal pueda completar las tareas asignadas
- Garantizar que el producto se opera solamente en perfectas condiciones técnicas
- Garantizar que el producto está protegido del uso no autorizado

2.6 Medidas de seguridad generales



La seguridad de un sistema donde se integra este producto es responsabilidad del montador o instalador del sistema.



El presente producto es compatible con la utilización de una extensa variedad de dispositivos periféricos de diversos fabricantes. HEIDENHAIN no puede efectuar ninguna declaración acerca de las medidas de seguridad específicas que deben tomarse para dichos dispositivos. Es imprescindible considerar las medidas de seguridad dispuestas en la documentación correspondiente. Si no se aporta dicha información, es imprescindible obtenerla del fabricante en cuestión.

Las medidas de seguridad específicas necesarias para las actividades independientes que deberán realizarse en la unidad están indicadas en las correspondientes secciones de estas instrucciones.

2.6.1 Símbolos en las instrucciones

En este manual se utilizan los siguientes símbolos de seguridad:

Símbolo	Significado
	Identifica la información que advierte sobre lesiones
	Identifica los dispositivos sensibles a la electricidad estática (ESD)
	Pulsera antiestática de puesta a tierra personal

2.6.2 Símbolos en la unidad

Los símbolos siguientes se utilizan para identificar la unidad:

Símbolo	Significado
	Respete las medidas de seguridad relacionadas con la electricidad y la conexión eléctrica antes de conectar la unidad
	Borne de tierra (puesto a tierra) según IEC 60417 - 5017. Respete la información sobre la instalación.

2.6.3 Instrucciones de seguridad eléctrica

ADVERTENCIA

Peligro de contacto con piezas bajo tensión al operar el producto.

Esto puede resultar en descargas eléctricas, quemaduras o la muerte.

- ▶ No abra nunca la caja
- ▶ Solo el fabricante tiene autorización para acceder al interior de la unidad

ADVERTENCIA

Peligro de que una gran cantidad de corriente atraviese el cuerpo a causa de contacto directo o indirecto con piezas bajo tensión.

Esto puede resultar en descargas eléctricas, quemaduras o la muerte.

- ▶ Solo especialistas formados deben realizar trabajos en el sistema eléctrico y los componentes eléctricos bajo tensión
- ▶ Utilice para la conexión eléctrica y todas las conexiones de la interfaz solamente conectores que cumplan las normativas aplicables
- ▶ Pida al fabricante que reemplace los componentes eléctricos defectuosos de inmediato
- ▶ Inspeccione regularmente todos los cables conectados y todas las conexiones de la unidad. Los defectos, como las conexiones sueltas o los cables quemados deben retirarse inmediatamente

INDICACIÓN

Daño a las piezas internas de la unidad

Abir la unidad provocará la pérdida de la garantía legal y comercial.

- ▶ No abra nunca la caja
- ▶ Solo el fabricante de la unidad tiene autorización para acceder al interior de la unidad

3 Transporte y almacenamiento

3.1 Resumen

Este capítulo contiene toda la información necesaria para el transporte y almacenamiento de la unidad y proporciona un resumen de los elementos suministrados y los accesorios disponibles para la unidad.

3.2 Desembalaje

- ▶ Abra la tapa superior de la caja
- ▶ Retire el material de embalaje
- ▶ Desembale los contenidos
- ▶ Compruebe que el envío está completo
- ▶ Compruebe si el envío presenta daños

3.3 Elementos suministrados y accesorios

Elementos suministrados

Los artículos siguientes están incluidos entre los elementos suministrados:

- Producto
 - Cable de conexión a la alimentación eléctrica (1197250-0x, 1197251-0x, 1197252-0x)
 - Instrucciones de instalación
 - Anexo (opcional)
- Información adicional:** "Notas al leer la documentación", Página 25

Accesorios

Los siguientes elementos están disponibles opcionalmente y se pueden pedir a HEIDENHAIN como accesorios adicionales:

Accesorios	Número de pieza
Soporte Single-Pos Para montaje rígido, ángulo de inclinación de 20°	1197273-01
Sujeción Multi-Pos Para su fijación en un brazo, en continua inclinación y rotación	1197273-02
Marco de fijación Para montaje en un panel. Compatible solamente con unidades DRO 203 y DRO 30x.	1197274-01
Cubierta Para protección contra suciedad y residuos	1197275-01
Palpador de aristas KT 130 Para palpación de piezas (para establecer puntos de referencia). Compatible solamente con unidades DRO 30x.	283273-xx
IOB 610 Para conmutar funciones de entrada y salida. Compatible solamente con unidades DRO 30x.	1197271-01

3.4 En caso de daños durante el transporte

- ▶ Pida al transportista que confirme los daños
- ▶ Guarde el material de embalaje para su inspección
- ▶ Notifique los daños al remitente
- ▶ Contacte con el distribuidor o el fabricante para obtener piezas de recambio



En caso de daños durante el transporte:

- ▶ Guarde el material de embalaje para su inspección
- ▶ Póngase en contacto con HEIDENHAIN o el fabricante de la máquina

Esto también es aplicable si las piezas de recambio pedidas sufren daños durante el transporte.

3.5 Reembalaje y almacenamiento

Vuelva a embalar y almacene la unidad con cuidado según las condiciones descritas a continuación.

Reembalaje

El nuevo embalaje debería ser lo más parecido posible al original.

- ▶ Inserte todas las partes de montaje y las tapas de protección contra el polvo en la unidad o vuelva a embalarla tal y como se envió de fábrica.
- ▶ Embálelo de forma que quede protegido de los impactos y de las vibraciones durante el transporte
- ▶ Embálelo de forma que quede protegido de la entrada de polvo o humedad
- ▶ Coloque todos los accesorios incluidos con el envío en el embalaje original

Información adicional: "Elementos suministrados y accesorios", Página 29

- ▶ Incluya el Anexo (si venía incluido entre los elementos suministrados), las Instrucciones de instalación y el Manual de instrucciones

Información adicional: "Almacenamiento y distribución de la documentación", Página 26



Si devuelve la unidad para su reparación a una agencia de mantenimiento:

- ▶ Envíe la unidad sin accesorios, sin sistemas de medida y sin periféricos

Almacenamiento de la unidad

- ▶ Embale la unidad tal y como se ha descrito anteriormente
- ▶ Respete las condiciones ambientales especificadas
- ▶ Inspeccione la unidad en busca de daños tras el transporte o periodos de almacenamiento largos

4 Fijación

4.1 Resumen

Este capítulo contiene toda la información necesaria para montar la unidad.



Solo personal cualificado debe llevar a cabo los pasos siguientes.

Información adicional: "Cualificación del personal", Página 27

4.2 Montaje

Información general de montaje

El receptáculo para las variantes de montaje está indicado en el panel posterior. La conexión es compatible con el estándar VESA de 100 mm x 100 mm.

DRO 10x: **Información adicional:** "G", Página 35

DRO 203, DRO 30x: **Información adicional:** "K", Página 36

El material para ensamblar las variantes de montaje en el dispositivo se incluye en el envío.

También necesitará lo siguiente:

- Destornillador Torx T20
- Llave Allen de 2,5 mm
- Llave de tubo de 7 mm
- Material para montaje en una superficie de soporte



La unidad debe montarse en un soporte o sujeción para garantizar un funcionamiento correcto de la unidad según lo previsto.

Instalación de los cables



En las figuras que muestran el soporte y la sujeción encontrará sugerencias para instalar los cables después del montaje.

Soporte Single-Pos: **Información adicional:** "C", Página 4

Sujeción Multi-Pos: **Información adicional:** "D", Página 4

Marco de fijación: **Información adicional:** "E", Página 4

Montaje en un soporte:

- ▶ Junte los cables
- ▶ Guíe los cables a través de la abertura en el soporte desde atrás
- ▶ Guíe los cables lateralmente a las conexiones

Montaje en una sujeción:

- ▶ Junte los cables
- ▶ Guíe los cables lateralmente a las conexiones
- ▶ Sujete los cables al brazo con bridas para cables

4.2.1 Montaje en soporte Single-Pos

El soporte Single-Pos le permite colocar la unidad sobre una superficie con un ángulo de inclinación de 20° o atornillar la unidad a una superficie.

Monte el soporte a los orificios roscados VESA 100 superiores de la parte posterior de la unidad

- ▶ Utilice un destornillador Torx T20 para apretar los tornillos de cabeza plana M4 x 8 ISO 14581 incluidos en el envío
- ▶ Respete el par de apriete admisible de 2,6 Nm

Sujete la unidad para que no se mueva durante el funcionamiento

- ▶ Fije los protectores de goma adhesivos incluidos a la parte inferior de la unidad
- ▶ Si no atornilla la unidad a una superficie, fije los protectores de goma adhesivos a la parte inferior del soporte



Fije los protectores de goma al soporte solo si no atornilla la unidad a una superficie.

Información adicional: "C", Página 4

Dimensiones del soporte Single-Pos

DRO 10x: **Información adicional:** "H", Página 35

DRO 203, DRO 30x: **Información adicional:** "L", Página 37

4.2.2 Montaje en sujeción Multi-Pos:

Monte la sujeción a los orificios roscados VESA 100 inferiores de la parte posterior de la unidad

- ▶ Utilice un destornillador Torx T20 para apretar los tornillos de cabeza plana M4 x 10 ISO 14581 (negros) incluidos en el envío
- ▶ Respete el par de apriete admisible de 2,5 Nm

Puede inclinar y rotar la sujeción hasta un ángulo que le permita ver el contador cómodamente.

Información adicional: "D", Página 4

Dimensiones del soporte Multi-Pos

DRO 10x: **Información adicional:** "I", Página 36

DRO 203, DRO 30x: **Información adicional:** "M", Página 37

4.2.3 Montaje en un marco de fijación:



El marco de fijación es compatible solamente con unidades DRO 203 y DRO 30x.

El marco de fijación le permite montar la unidad en un panel.

Monte la chapa posterior del marco a los orificios roscados VESA 100 de la parte posterior de la unidad

- ▶ Utilice una llave Allen de 2,5 mm para apretar los tornillos M4 x 6 ISO 7380 incluidos en el envío
- ▶ Respete el par de apriete admisible de 2,6 Nm

Monte la chapa posterior y la unidad a la chapa frontal del marco

- ▶ Utilice una llave de tubo de 7 mm para apretar las tuercas M4 ISO 10511 incluidas en el envío
- ▶ Respete el par de apriete admisible de 3,5 Nm

Monte el marco y el contador en el panel

- ▶ Consulte las instrucciones de montaje proporcionadas con el marco de fijación para información sobre el recorte del panel y el montaje

Información adicional: "E", Página 4

Dimensiones del marco de fijación

Información adicional: "N", Página 37

4.2.4 Montaje de una cubierta

La cubierta protege contra la suciedad y los residuos.

Coloque la cubierta sobre la unidad

- ▶ Coloque la cubierta sobre la unidad
- ▶ Alinee la cubierta y la unidad por el lado derecho según se mira a la parte frontal de la unidad

Acople la cubierta a la unidad

- ▶ Retire los protectores con tira adhesiva de las pestañas adhesivas
- ▶ Doble las pestañas adhesivas en dirección a la unidad
- ▶ Presione las pestañas adhesivas contra la unidad para fijar la pestaña a la unidad

5 Instalación

5.1 Resumen

Este capítulo contiene toda la información necesaria para instalar la unidad.



Solo personal cualificado debe llevar a cabo los pasos siguientes.

Información adicional: "Cualificación del personal",
Página 27

5.2 Información general

INDICACIÓN

Acoplar y desacoplar los elementos conectores.

Peligro de daños a los componentes internos.

- ▶ No acople o desacople ningún elemento conector mientras la unidad esté conectada a la corriente

INDICACIÓN

Descarga electrostática (ESD).

Este producto contiene componentes sensibles a la electricidad estática que pueden quedar inutilizados por descargas electrostáticas (ESD).

- ▶ Es de suma importancia que respete las medidas de seguridad al manejar componentes sensibles a ESD
- ▶ Nunca toque los pines sin asegurarse de que están puestos a tierra
- ▶ Póngase una pulsera de puesta a tierra cuando maneje las conexiones de la unidad

INDICACIÓN

Asignación de pines incorrecta.

Esto puede provocar un mal funcionamiento de la unidad o daños a la unidad.

- ▶ Asigne solamente pines o cables que se estén utilizando

5.3 Perspectiva general del producto

Las conexiones en el panel posterior del dispositivo están protegidas de la contaminación y los daños por tapas de protección contra el polvo.

INDICACIÓN

La pérdida de las tapas de protección contra el polvo puede conllevar a contaminación o daños.

Esto puede perjudicar el funcionamiento correcto de los contactos o inutilizarlos.

- ▶ Extraiga las tapas de protección contra el polvo solo al conectar sistemas de medida o periféricos
- ▶ Si extrae un sistema de medida o periférico, vuelva a insertar la tapa de protección contra el polvo en la conexión



El tipo y número de conectores puede variar dependiendo de la versión de la unidad.

Panel trasero sin tapas de protección contra el polvo

DRO 10x: **Información adicional:** "A", Página 3

DRO 203, DRO 30x: **Información adicional:** "B", Página 3

Panel trasero

- 1 Cable de alimentación y conexión eléctrica
- 2 Borne de tierra (puesto a tierra) según IEC 60471 - 5017
- 3 **X31:** Conexión USB 2.0 Hi-Speed (tipo C) para dispositivo de almacenamiento masivo USB y conexión a PC (bajo cubierta protectora)
- 4 **X1 a X4:** Variante del dispositivo con conexiones D-sub de 9 pines para sistemas de medida con interfaz TTL
- 5 **X10:** Conexión D-sub de 15 pines para palpadores digitales y dispositivos auxiliares (p. ej. palpador digital HEIDENHAIN, IOB). Disponible solamente en unidades DRO 30x.

5.4 Conectar los sistemas de medida

- ▶ Extraiga y guarde las tapas de protección contra el polvo
- ▶ Instale los cables dependiendo de la variante de montaje

Información adicional: "Montaje", Página 30

- ▶ Conecte el sistema de medida firmemente a las conexiones correspondientes

Información adicional: "Perspectiva general del producto", Página 32

- ▶ Si los conectores tienen tornillos de fijación, no aplicar pares de apriete excesivos

Representación de los pines de X1 a X4:

Información adicional: "O", Página 38

5.5 Conectar un dispositivo USB

- ▶ Abra la tapa de protección contra el polvo
- ▶ Conecte el dispositivo o cable USB a la conexión correspondiente

Información adicional: "Perspectiva general del producto", Página 32

Representación de los pines de X31

Información adicional: "P", Página 38

5.6 Conectar un palpador digital



El siguiente palpador digital se puede conectar a una unidad DRO 30x:

- Palpador de aristas KT 130 de HEIDENHAIN

Información adicional: "Accesorios",
Página 29

- ▶ Extraiga y guarde las tapas de protección contra el polvo
- ▶ Instale los cables dependiendo de la variante de montaje

Información adicional: "Montaje", Página 30

- ▶ Conecte el palpador digital firmemente a la conexión X10

Información adicional: "Perspectiva general del producto", Página 32

- ▶ Si los conectores tienen tornillos de fijación, no aplicar pares de apriete excesivos

Representación de los pines de X10

Información adicional: "Q", Página 38

5.7 Conectar la tensión de línea

ADVERTENCIA

Riesgo de descarga eléctrica.

La puesta a tierra incorrecta de los dispositivos eléctricos puede ocasionar lesiones graves o la muerte por descarga eléctrica.

- ▶ Utilice siempre cables de alimentación a 3 hilos
- ▶ Asegúrese de que el cable a tierra está conectado correctamente a la toma a tierra de la instalación eléctrica del edificio

ADVERTENCIA

Existe riesgo de incendio al no utilizar cables de alimentación que no cumplan los requisitos nacionales del país correspondiente en el que se monte la unidad.

La puesta a tierra incorrecta de los dispositivos eléctricos puede ocasionar lesiones graves o la muerte por descarga eléctrica.

- ▶ Existe riesgo de incendio al no utilizar cables de alimentación que no cumplan los requisitos nacionales del país correspondiente en el que se monta la unidad.

- ▶ Utilice un cable de alimentación que cumpla las exigencias necesarias para conectar la conexión de red a una toma de corriente a tierra de 3 hilos

Información adicional: "Perspectiva general del producto", Página 32

Representación de los pines de la conexión eléctrica

Información adicional: "R", Página 38

6 Especificaciones

6.1 Especificaciones del producto

Producto

Caja	Aleación de aluminio
Dimensiones de la caja	DRO 10x <ul style="list-style-type: none">■ 285 mm x 160 mm x 46 mm DRO 203, DRO 30x <ul style="list-style-type: none">■ 285 mm x 180 mm x 46 mm
Sistema de fijación, medida de acoplamiento	VESA MIS-D, 100 100 mm x 100 mm

Visualiz.

Monitor visual	<ul style="list-style-type: none">■ Pantalla panorámica LCD (15:9) pantalla a color 17,8 cm (7")■ 800 x 480 píxeles
Interfaz de usuario	Interfaz de usuario (GUI) con teclado

Datos eléctricos

Fuente de alimentación	<ul style="list-style-type: none">■ AC 100 V... 240 V (± 10 %)■ 50 Hz... 60 Hz (± 5 %)■ Potencia de entrada máx. 30 W
Clase de sobretensión	II
Número de entradas del sistema de medida	DRO 10x <ul style="list-style-type: none">■ 1, 2 o 3 DRO 203 <ul style="list-style-type: none">■ 3 DRO 30x <ul style="list-style-type: none">■ 3 o 4
Interfaz del sistema de medida	TTL: Corriente máx. 300 mA frecuencia de entrada máx. 500 kHz
KT 130, interfaz IOB 610	5 VCD (± 5 %)
Interfaz de datos	USB 2.0 Hi-Speed (tipo C), corriente máx. 500 mA

Condiciones ambientales

Temperatura de funcionamiento	0 °C ... 45 °C
Temperatura de almacenamiento	-20 °C ... 70 °C
Humedad relativa del aire	40 %... 80 % HR, sin condensación
Altitud	≤ 2000 m

Información general

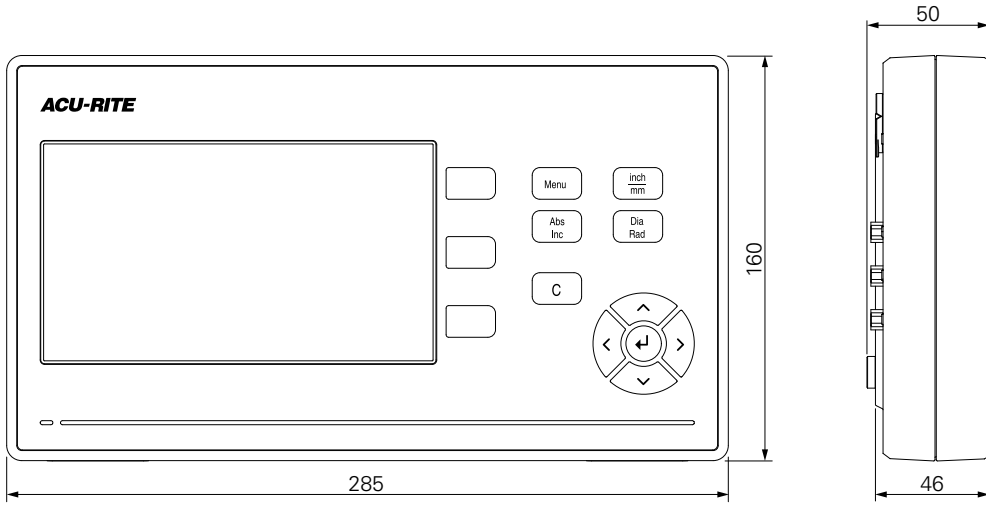
Directivas	<ul style="list-style-type: none">■ Directiva EMC 2014/30/EU■ Directiva sobre baja tensión 2014/35/EU
Grado de contaminación	2
Protección EN 60529	<ul style="list-style-type: none">■ Panel frontal y paneles laterales: IP 54■ Panel posterior: IP 40
Peso	DRO 10x <ul style="list-style-type: none">■ 1,5 kg■ Con soporte Single-Pos: 1,6 kg■ Con sujeción Multi-Pos: 1,9 kg DRO 203, DRO 30x <ul style="list-style-type: none">■ 1,9 kg■ Con soporte Single-Pos: 2,0 kg■ Con sujeción Multi-Pos: 2,3 kg■ Con marco de fijación: 3,3 kg

6.2 Dimensiones del producto y medidas de acoplamiento

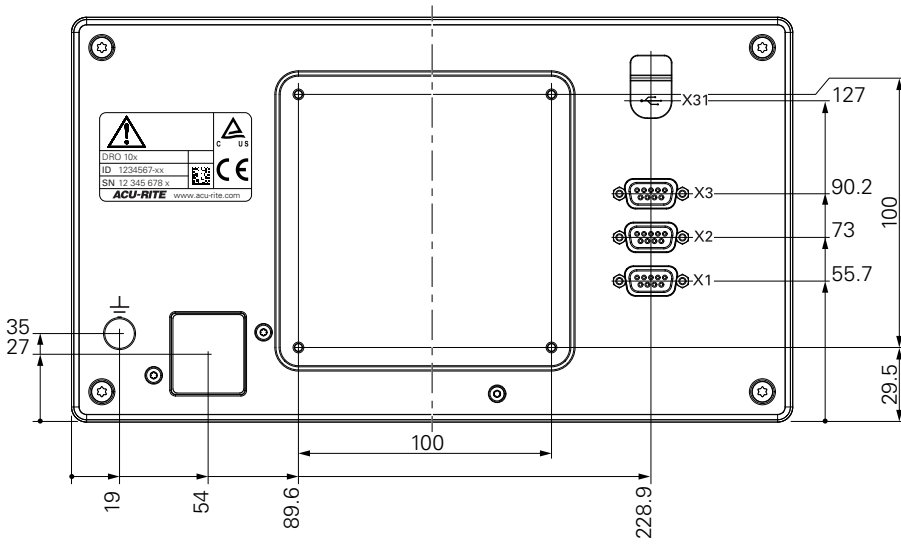
Información adicional: Página 35 y las páginas siguientes.

Todas las dimensiones en las ilustraciones están en milímetros.

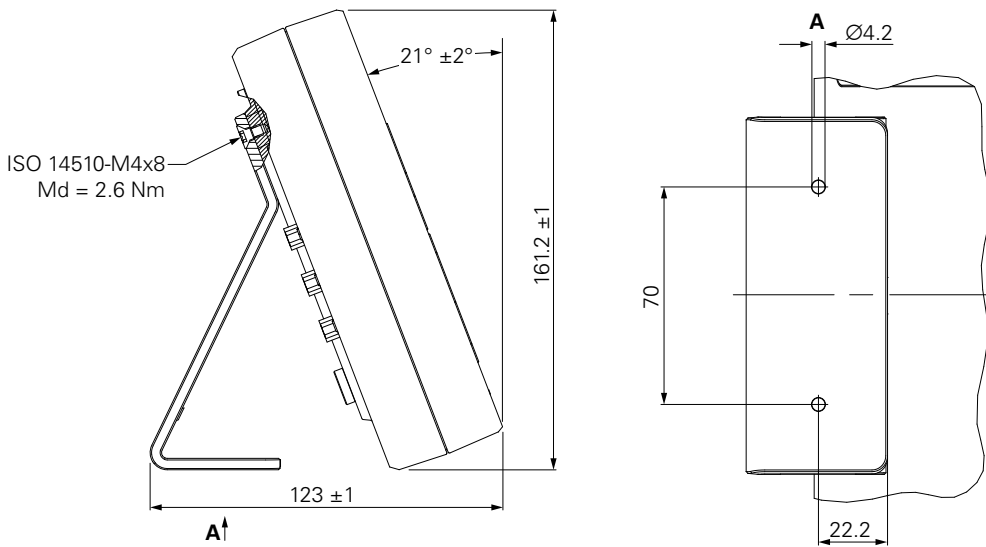
F

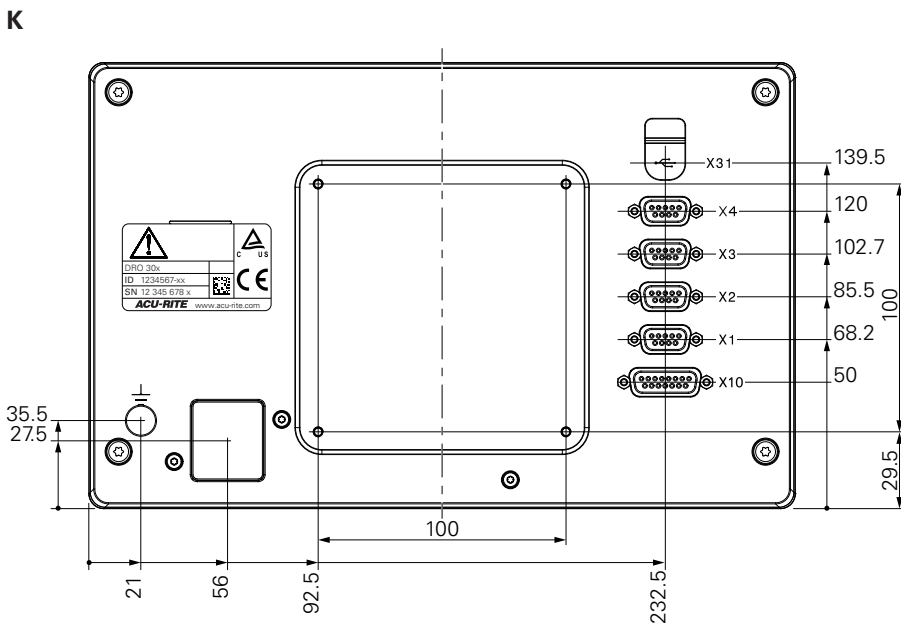
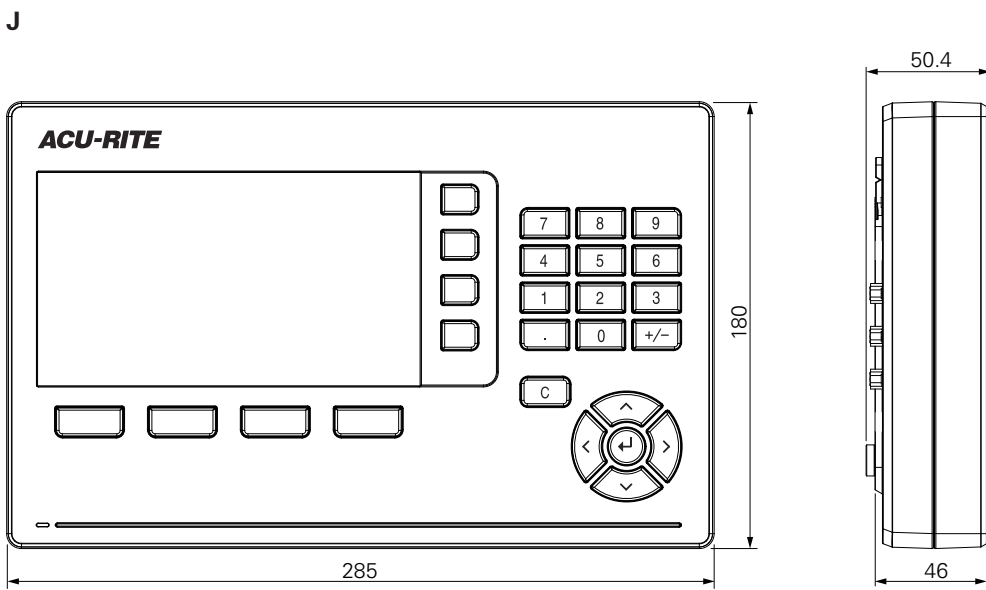
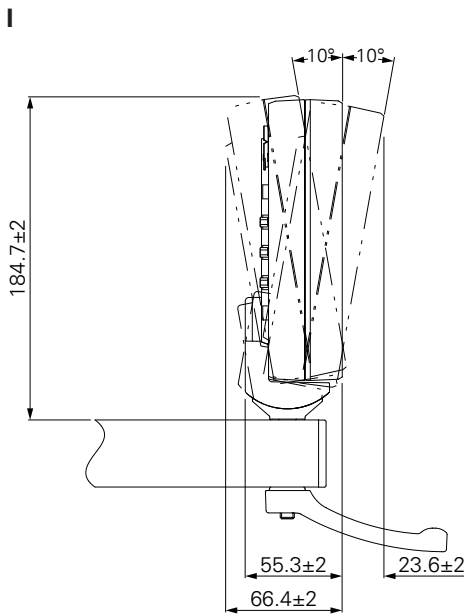


G

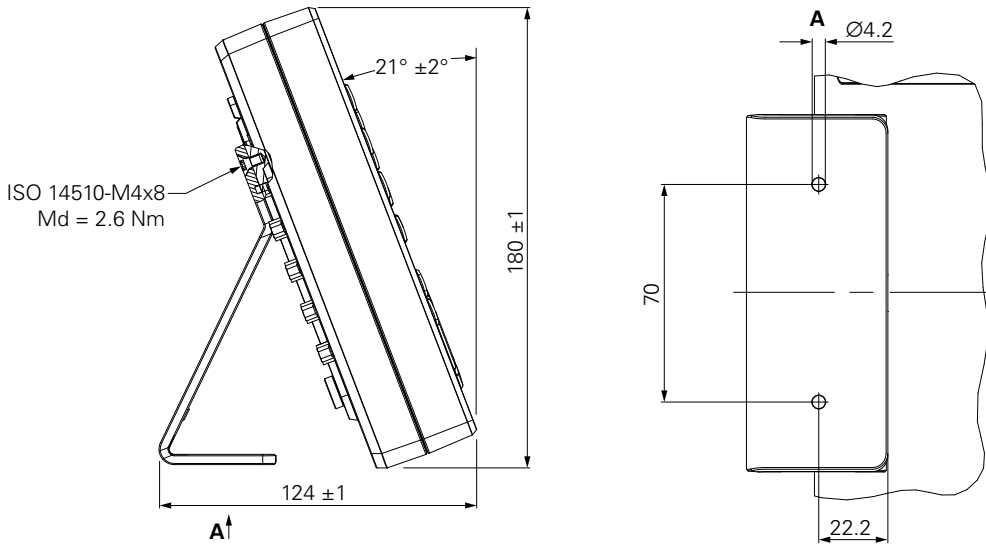


H

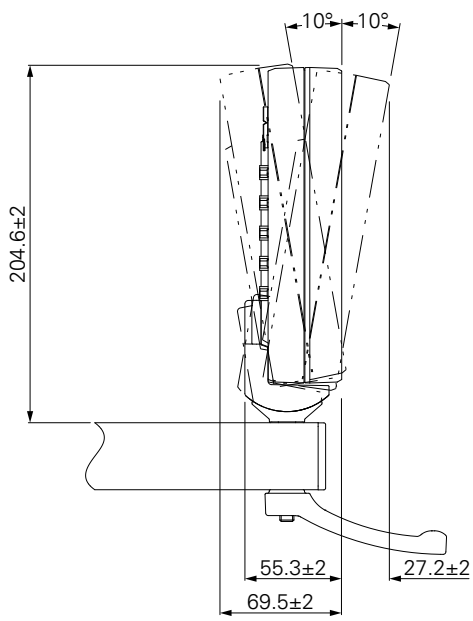




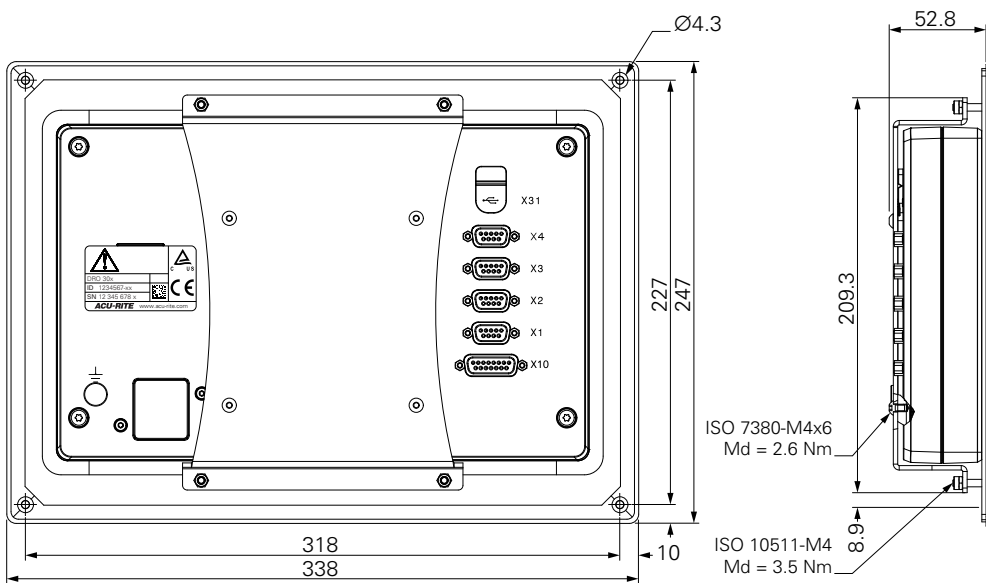
L



M



N



O

X1-X4

TTL								
1	2	3	4	5	6	7	8	9
/	U_{a1}	\overline{U}_{a1}	U_{a2}	\overline{U}_{a2}	0 V	U_p	\overline{U}_{a0}	U_{a0}

P

X31

A1	A2	A3	A4	A5	A6	A7	A8	A9	A10	A11	A12
GND	TX1 +	TX1 -	VBUS	CC1	D +	D -	SBU1	VBUS	RX2 -	RX2 +	GND
B1	B2	B3	B4	B5	B6	B7	B8	B9	B10	B11	B12
GND	TX2 +	TX2 -	VBUS	CC2	D +	D -	SBU2	VBUS	RX1 -	RX1 +	GND

Q

X10

1	2	3	4	5	6	7	8
0 V	Probe ready	Signal low	/	/	DC 5 V	0 V	0 V
9	10	11	12	13	14	15	
Signal high	/	/	Value output contact	Probe input	Value output pulse	0 V	

R


1	2	3
L/N	N/L	

HEIDENHAIN CORPORATION

333 East State Parkway

Schaumburg, IL 60173-5337 USA

 +1 (847) 490-1191

 +1 (847) 490-3931

E-Mail: info@heidenhain.com

www.heidenhain.com

