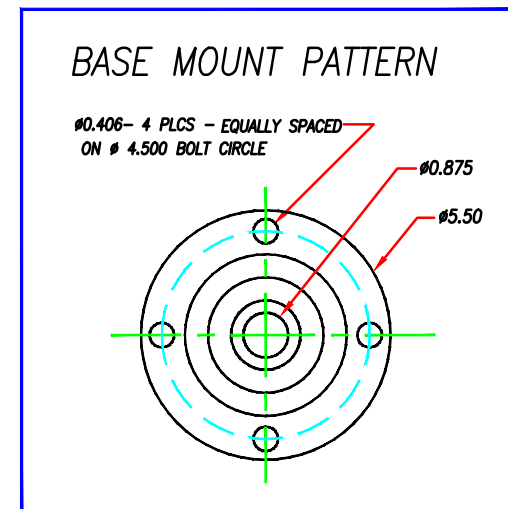
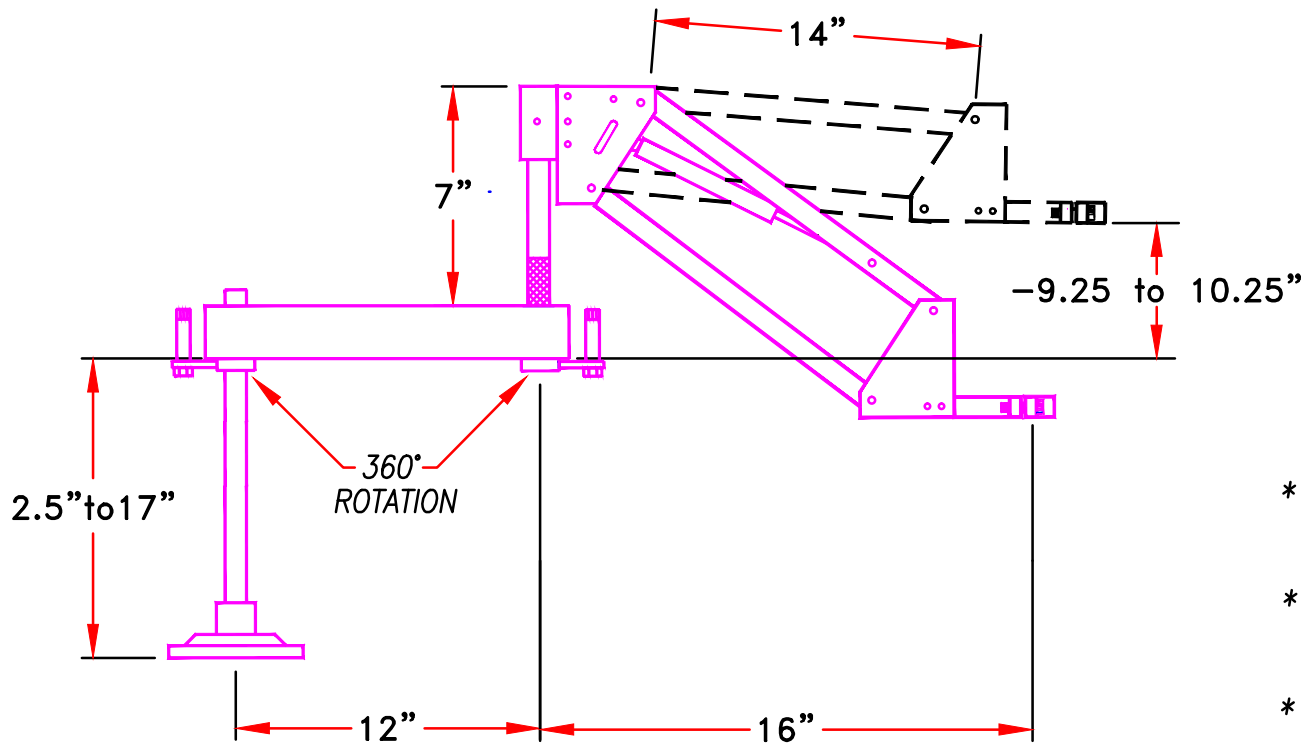


# FLEXARM CVA-10 ASSEMBLER

WORKING RANGE 8"–28"



- \* STANDARD MOUNT ACCOMMODATES 1"–2" DIAMETER TOOLS.
- \* PROVIDE TOTAL WEIGHT TO COUNTER BALANCE WHEN ORDERING
- \* MAX CAPACITY IS 10#