



DMNC / DRFT ACCESSORIES (con't.)

TAILSTOCKS

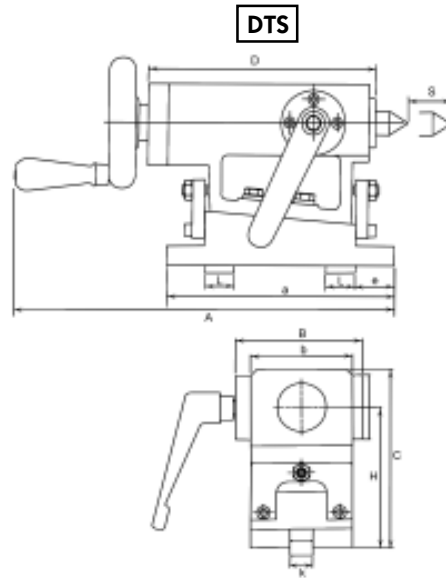
The DTS style tailstocks feature a solid main body dovetailed into the spindle block, for maximum rigidity, along with a Morse taper (MT) center bore, so that a live, bullnose or dead center can be used (optional). DTS series tailstocks are designed to the proper center height for each DMNC/DRFT model, with minimal adjustment. The DTS units are manually operated (using a handwheel). The **660 Series air operated Tailstocks** utilize a solid steel block (main body), (fixed center height) with a Morse Taper (MT-3) center bore, permitting the use of a bullnose, live or dead center (optional); (see page 118). A powerful air cylinder is used to drive the spindle, with a full 2.5" of stroke, providing up to 450 lbs. of thrust pressure. The spindle features a thru hole for easy removal of the center.



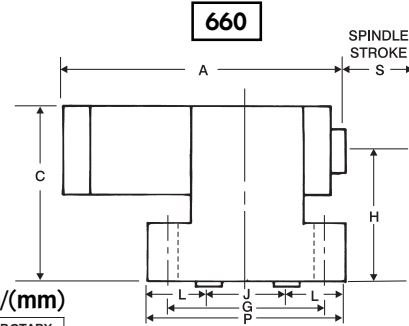
DTS-280



660-140



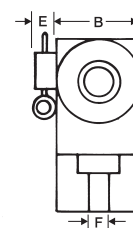
DTS



660

Inch/(mm)

MODEL	H	A	B	C	D	a	b	e	S	k	L	CENTER BORE	ROTARY MODEL
DTS-5C	4.33 (110)	11.77 (299)	3.93 (100)	5.51 (140)	7.12 (181)	7.08 (180)	3.15 (80)	1.18 (30)	1.18 (30)	0.71 (18)	0.94 (24)	MT-2	5C
DTS-130	4.13 (105)	11.77 (299)	3.93 (100)	5.31 (135)	7.12 (181)	7.08 (180)	3.15 (80)	1.18 (30)	1.18 (30)	0.71 (18)	0.94 (24)	MT-2	130
DTS-170	5.12 (130)	11.77 (299)	3.93 (100)	6.30 (160)	7.12 (181)	7.08 (180)	3.15 (80)	1.18 (30)	1.18 (30)	0.17 (18)	0.94 (24)	MT-2	170
DTS-220	6.30 (160)	13.93 (354)	5.47 (139)	8.58 (218)	9.13 (232)	8.66 (220)	3.15 (80)	1.57 (40)	2.36 (60)	0.17 (18)	0.94 (24)	MT-4	220
DTS-280	7.48 (190)	13.93 (354)	5.47 (139)	9.76 (248)	9.13 (232)	8.66 (220)	3.15 (80)	1.57 (40)	2.36 (60)	0.17 (18)	0.94 (24)	MT-4	280
DTS-320	8.66 (220)	13.93 (354)	5.47 (139)	10.9 (278)	9.13 (232)	8.66 (220)	3.15 (80)	1.57 (40)	2.36 (60)	0.17 (18)	0.94 (24)	MT-4	320
DTS-400	11.02 (280)	13.93 (354)	5.47 (139)	14.09 (358)	9.13 (232)	8.66 (220)	3.15 (80)	1.57 (40)	2.36 (60)	0.17 (18)	0.94 (24)	MT-4	400



Inch/(mm)

MODEL	H	A	B	C	S	F	E	P	G	J	L	CENTER BORE	KEY	UNIT
660-100	4.33 (110)	10.00 (254)	3.00 (76.20)	5.80 (147)	2.50 (63.50)	.630 (16)	.750 (19.05)	7.00 (177.80)	5.60 (142)	3.00 (76)	2.00 (51)	MT-3	0.71 (18)	5C(A) & 132 5C(L)
660-130	4.13 (105)	10.00 (254)	3.00 (76.20)	5.60 (142)	2.50 (63.50)	.630 (16)	.750 (19.05)	7.00 (177.80)	5.60 (142)	3.00 (76)	2.00 (51)	MT-3	0.71 (18)	130 MODELS
660-140	4.53 (115)	10.00 (254)	3.00 (76.20)	6.00 (152)	2.50 (63.50)	.630 (16)	.750 (19.05)	7.00 (177.80)	5.60 (142)	3.00 (76)	2.00 (51)	MT-3	0.71 (18)	140 MODELS
660-170	5.12 (130)	10.00 (254)	3.00 (76.20)	6.60 (167)	2.50 (63.50)	.630 (16)	.750 (19.05)	7.00 (177.80)	5.60 (142)	3.00 (76)	2.00 (51)	MT-3	0.71 (18)	170 MODELS
660-220	6.30 (160)	10.00 (254)	3.00 (76.20)	7.77 (197)	2.50 (63.50)	.630 (16)	.750 (19.05)	7.00 (177.80)	5.60 (142)	3.00 (76)	2.00 (51)	MT-3	0.71 (18)	220 MODELS
660-280	7.48 (190)	10.00 (254)	3.00 (76.20)	8.95 (227)	2.50 (63.50)	.630 (16)	.750 (19.05)	7.00 (177.80)	5.60 (142)	3.00 (76)	2.00 (51)	MT-3	0.71 (18)	280 MODELS