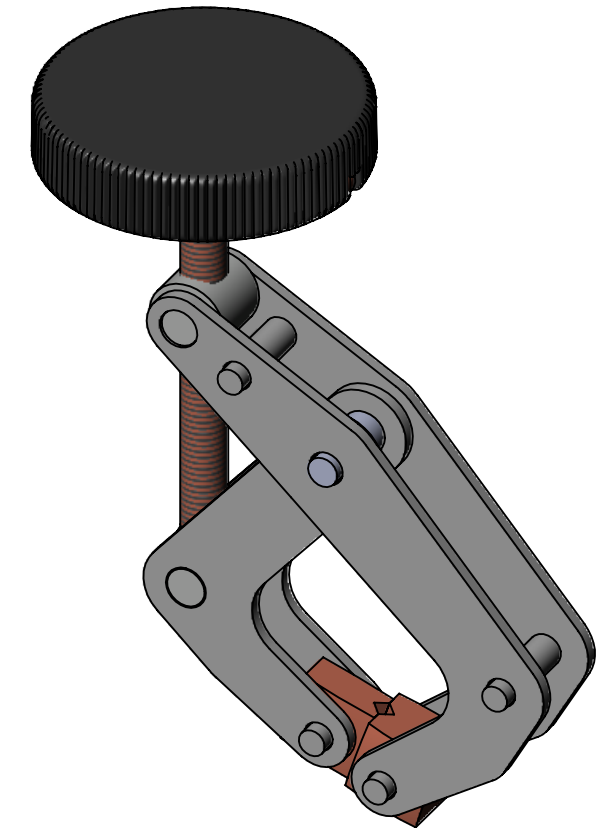
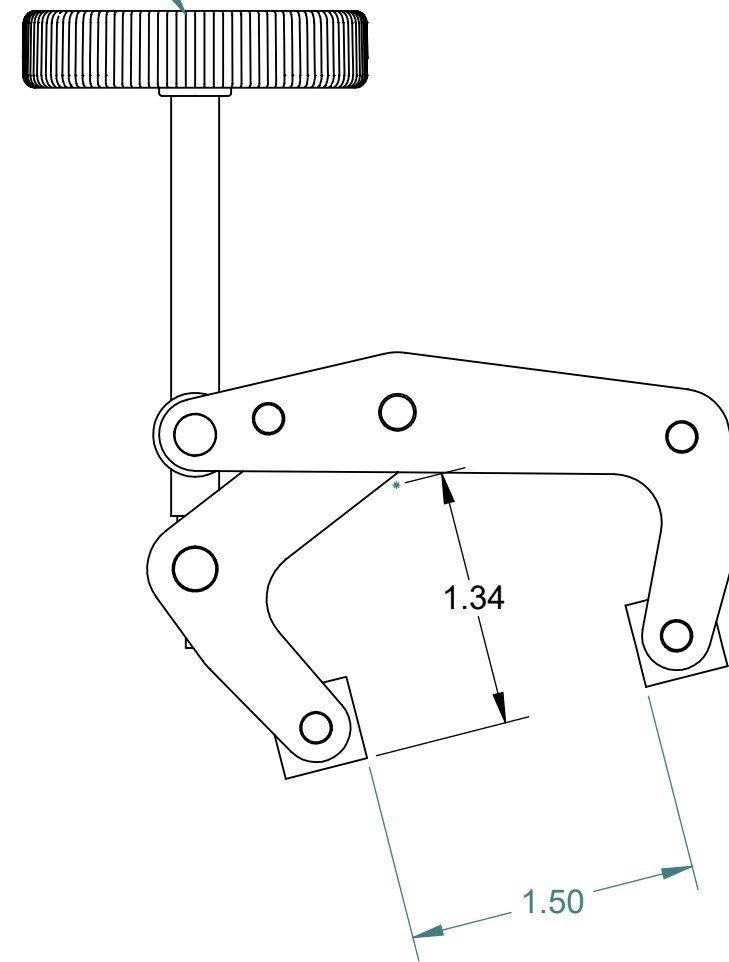



REMOVABLE PLASTIC HANDLE



APPROXIMATE WEIGHT: 0.27 LBS

ALL DIMENSIONS ARE IN INCHES EXCEPT AS NOTED.			B SIZE - SHEET 1 OF 1		
<p>This drawing and all of the elements thereof, including the design and principles of construction disclosed, is the sole and exclusive property of Industrial Magnetics, Inc. and is being submitted by Industrial Magnetics, Inc. for the limited purpose of assisting the designated recipient to evaluate the services of Industrial Magnetics, Inc. This drawing may not be used for any other purpose, nor may it be copied, reproduced, loaned, transferred, or communicated to any other person, either verbally or in writing, without the written consent of Industrial Magnetics, Inc.</p>			 INDUSTRIAL MAGNETICS.		
TOLERANCES EXCEPT AS NOTED DECIMAL .00"=±.030" ANGULAR ±1° .000"=±.015"		RELEASED DATE DRAWN BY N.SKRZYPCZAK RELEASED BY	R & D SCALE FULL DATE 10/12/2023	DESCRIPTION KANTTWIST 2" CLAMP ROUND WEAVER GRIP	
			PART NO. K015R	DRAWING NO. 24123	