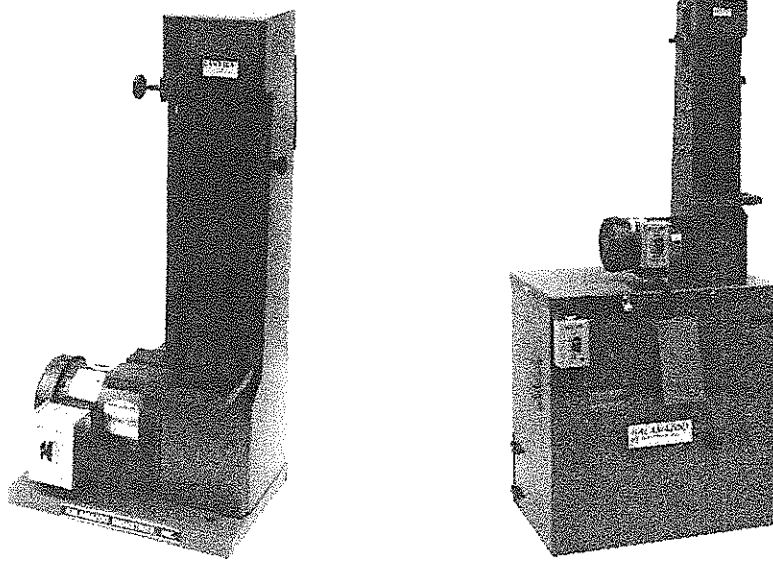


INSTRUCTION MANUAL S460D, S460V



**KALAMAZOO
INDUSTRIES, INC.**

6856 East K Avenue
Kalamazoo, MI 49048

269-382-2050 PH

269-382-0790 FAX

www.kalamazooindustries.com

WARRANTY

All products are guaranteed for a period of one year to the original purchaser, against defects in material workmanship under normal use. Electric motors are warranted by the motor manufacturer and will be repaired by the nearest motor repair station. If non-repairable, they will be replaced by Kalamazoo Industries. Please call for instructions 269-382-2050.

RETURN POLICY

Authorization must be obtained before returning merchandise. Please call our customer service department for a return authorization number at 269-382-2050. Please include with your return a copy of your invoice or packing slip. Materials must be sent back prepaid. (Unless otherwise indicated). All returns will be subject to a 10% restocking charge. No returns will be accepted after one year of invoice date.

BELT SANDER SAFETY

- READ THE OPERATING INSTRUCTIONS BEFORE RUNNING MACHINE.
- ALWAYS WEAR SAFETY GLASSES OR A FULL FACE SHIELD FOR PROTECTION.
- KEEPS HANDS CLEAR OF THE SANDING AREA.
- NEVER WEAR GLOVES OR LOOSE FITTING CLOTHES WHEN OPERATING THIS MACHINE.
- ALWAYS KEEP HAIR TIED BACK OR COVERED.
- LET MACHINE ROTATION COME TO A FULL STOP BEFORE CHANGING BELT.
- KEEP SAFETY GUARDS IN PLACE. DO NOT ALTER GUARDS OR MACHINE IN ANY WAY. ANY ALTERATIONS TO GUARDS OR MACHINE COULD CAUSE SERIOUS INJURY.
- ALL BELT SANDERS SHOULD BE OPERATED IN A WELL-VENTILATED AREA. THE DUST CREATED WHEN SOME MATERIALS ARE SANDED CAN BE HARMFUL. DUST MASKS ARE RECOMMENDED AS A PRACTICAL MEANS OF MINIMIZING DUST INHALATION. FUMES FROM OTHER SOURCES CAN ALSO CAUSE FIRES WHEN IN CONTACT WITH SANDING SPARKS.
- SPARKS CREATED BY SANDING SHOULD BE DIRECTED DOWNWARD AND AWAY FROM THE FACE AND BODY. DO NOT GRIND NEAR FLAMMABLE MATERIAL.
- ELECTRIC SANDING MACHINES ARE NOT INTENDED FOR USE IN OR NEAR WATER. THIS INCLUDES AN OPERATOR STANDING ON A WET FLOOR OR WORKING AROUND CONTAINERS OF WATER OR OTHER CONDUCTIVE LIQUIDS.

KALAMAZOO INDUSTRIES, INC.
6856 East K Avenue
Kalamazoo, MI 49048
269-382-2050 PH
269-382-0790 FAX
www.kalamazooindustries.com



Made in USA

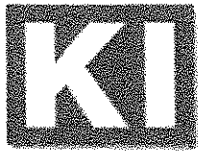
Basic Operation

S460D, 4" x 60" belt

1. Belt Tension- The upper pulley/ yoke is spring tensioned and does not need adjustment. Pull Lever (#11) to compress the pre-tensioned spring to release the belt tension. Remove the sanding belt and replace with a new belt. Most belts are bi-directional but be sure of the correct rotation when installing a new belt. Lift lever to tighten the belt. Check belt tracking by jogging the belt to see if it "tracks" or stays in the center of the platen.
2. Belt tracking- The upper pulley /yoke assembly twists by using the Tracking knob (#24) to "track" or center the sanding belt. Rotate the tracking knob to "track" the sanding belt.
3. Platen- The plate of steel or "platen" behind the sanding belt can be reversed as it wears. Remove the cap screws and flip the platen to expose a new surface area.
4. Work table- Always keep the work table (#8) within 1/8" of the sanding belt.

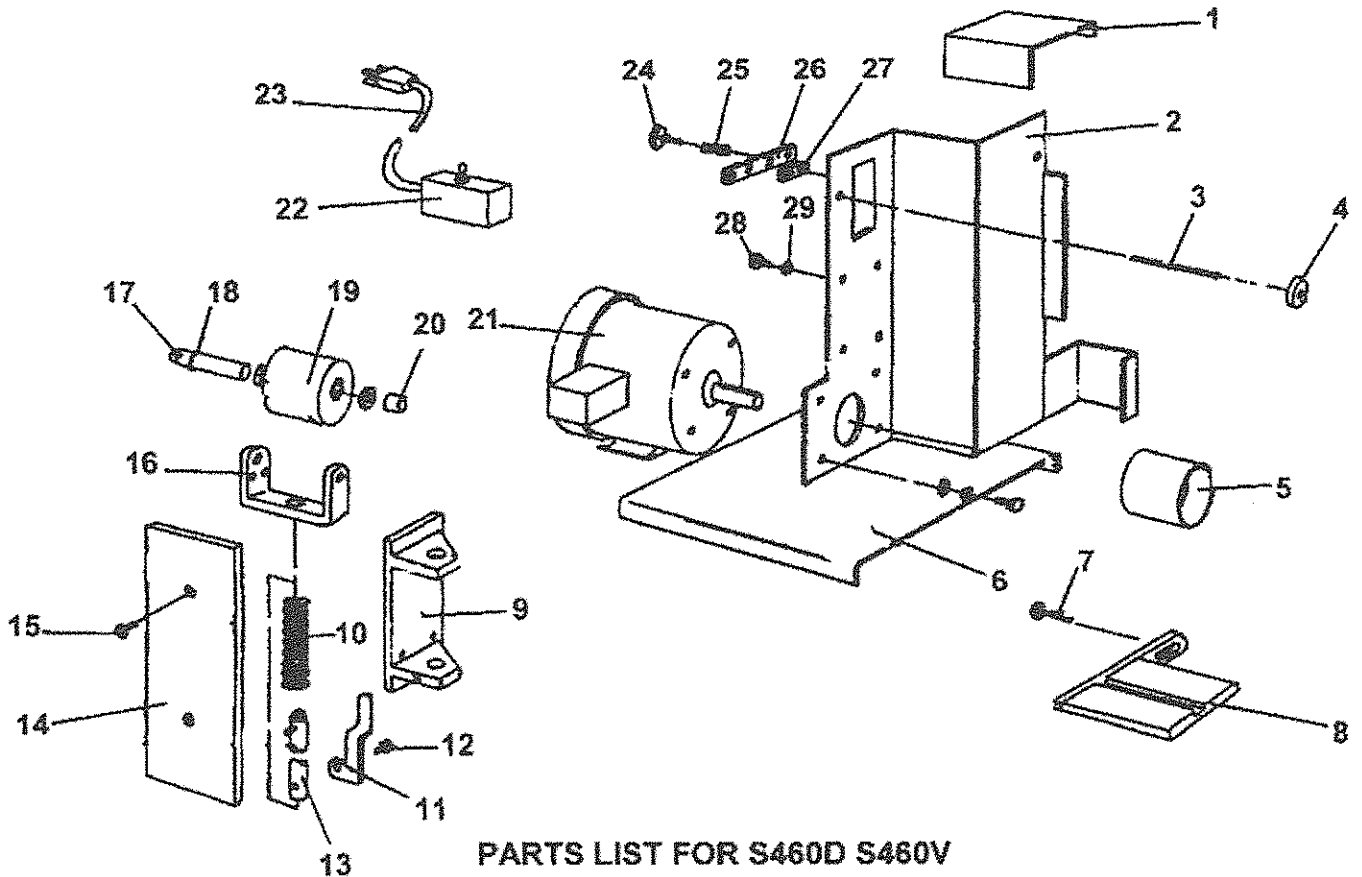
S460V Vacuum base (DCV-6)

1. DCV-6 vacuum base uses a removeable panel filter element which can be cleaned with water . Rinse out the element and replace. The filter element is located on the side of the unit behind the hinged door (# 8).
2. Always follow safety procedures such as safety glasses, etc. See manual safety sheet.



KALAMAZOO INDUSTRIES, INC.

6856 East K Avenue
 Kalamazoo, MI 49048
 269-382-2050 PH
 269-382-0790 FAX
 www.kalamazooindustries.com



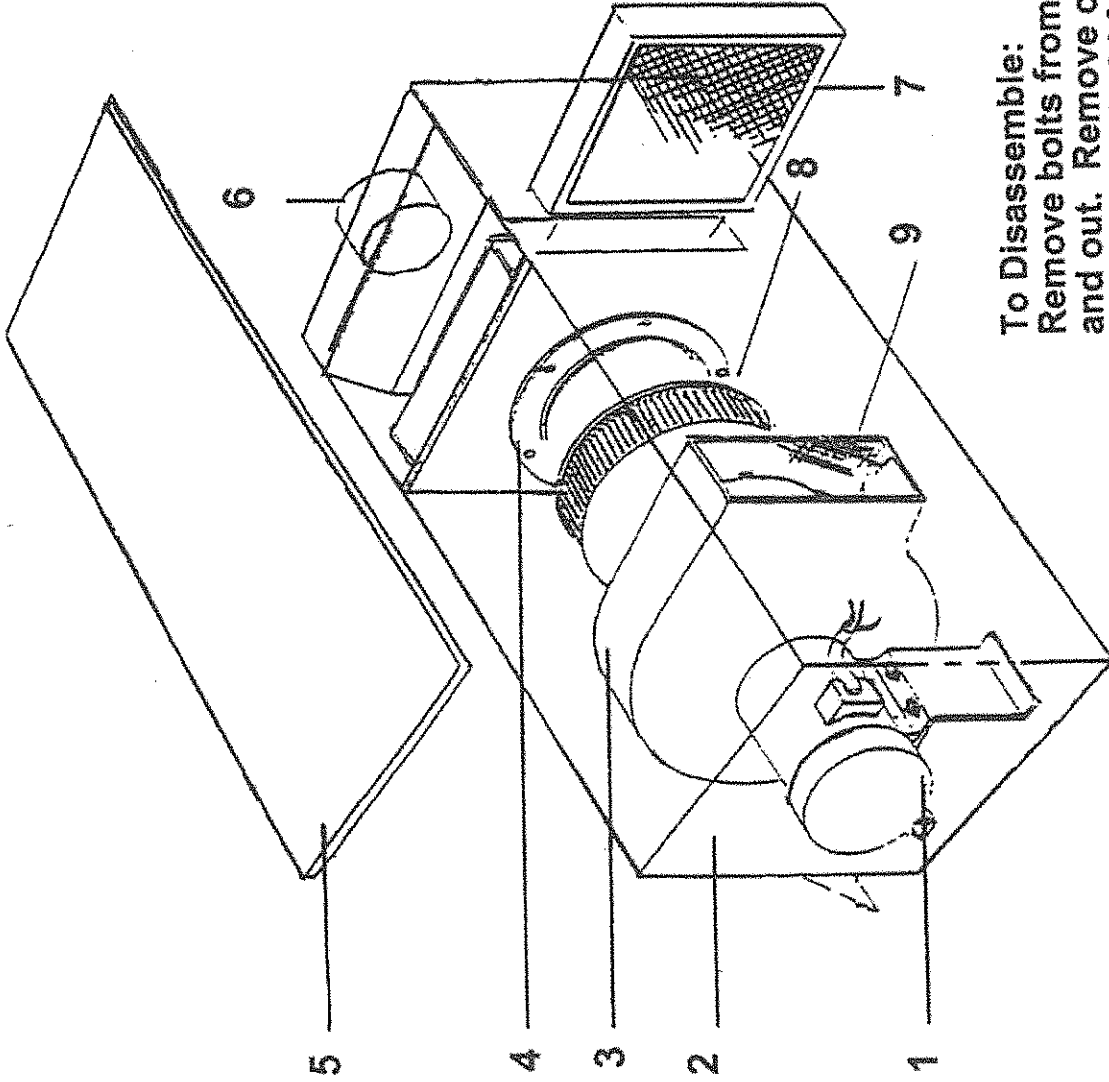
PARTS LIST FOR S460D S460V

ITEM NO.	PART NO.	DESCRIPTION	ITEM NO.	PART NO.	DESCRIPTION
1	342-077	GUARD, UPPER	16	960-002	YOKE
2	291-028	FRAME & DOOR ASSY	17	701-008	IDLER SPINDLE
3	698-011	STUD, 3/8x6-1/2	18	5100-50	RETAINING RING
4	441-017	TRACKING KNOB	19	560-006	IDLER PULLEY W/BEARINGS
5	560-005	DRIVE PULLEY-S460D & S460V	20	123-003	COLLAR
6	050-037	BASE FRAME-S460D	21	486-002	CL3509 1HP, 1PH S460D
7		1/2-13x1-1/2 S.H.C.S.	21	486-004	CM3545 1HP, 3PH S460D
8	829-034	WORK TABLE	22	710-009	BRYANT SWITCH, 1PH S460D & S460V
9	291-018	FRAME, SANDER	22	710-010	BRYANT SWITCH, 3PH S460D & S460V
10	697-024	TENSION SPRING	23		CORD W/PLUG (1PH ONLY)
11	455-004	LEVER	24	441-014	KNOB
12		5/16-18x2 STOVER BOLT	25	697-017	SPRING
13	700-022	SHAFT	26	048-019	IDLER ADJUSTING BAR
14	563-014	PLATEN	27	699-028	SPACE BAR
15		FLAT HEAD ALLEN SCREWS (2REQ)	28		5/16-18x1-1/2 H.H.C.S.
			29		5/16 LOCK WASHER

MODEL DCV-6 DUST COLLECTOR

ITEM	PART NO	DESCRIPTION
1	486-002	1HP, 1PH MOTOR, CL3509
	486-004	1HP, 3PH MOTOR, CM3545
2	124-005	CABINET
3	386-026	HOUSING, FAN
4	004-005	INLET CONE
5	124-006	CABINET COVER
6		4" INLET
7	294-003	FILTER
8		EXHAUST OUTLET
9	296-001	FAN, SQUIRREL CAGE

DIMENSIONS:
26"Wx17-1/2"Lx18"H



To Disassemble:

Remove bolts from motor base. Lift assembly straight up and out. Remove cone inlet #4. Take blower fan off motor shaft. Bolts hold fan housing to motor.

Note: Keep filter clean for best efficiency. Tap filter on floor or wash under faucet for cleaning.



6856 East K Avenue
Kalamazoo, MI 49048
269-382-2050 PH
269-382-0790 FAX
www.kalamazooindustries.com