

1
2
3
4
5
6



4314



Standard accessories



1 Set of solid reversible jaws

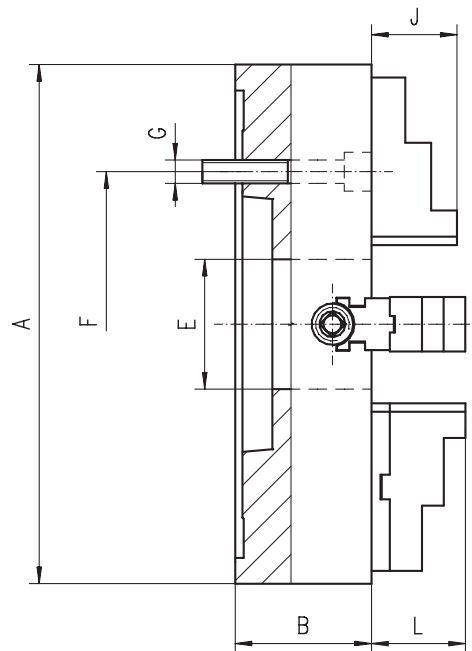


1 Wrench

Spare parts 99-141

Technical data 142-148

Code No.	Type
7-851-0826	4314-8"-4
7-851-0815	4314-8"-5
7-851-0816	4314-8"-6
7-851-1024	4314-10"-4
7-851-1025	4314-10"-5
7-851-1016	4314-10"-6
7-851-1018	4314-10"-8
7-851-1215	4314-12"-5
7-851-1226	4314-12"-6
7-851-1218	4314-12"-8
7-851-1626	4314-16"-6
7-851-1628	4314-16"-8
7-851-1619	4314-16"-11
7-851-2026	4314-20"-6
7-851-2028	4314-20"-8
7-851-2019	4314-20"-11
7-851-2039	4314-20"-15
7-851-2528	4314-25"-8
7-851-2519	4314-25"-11
7-851-2539	4314-25"-15



■ Chucks $\geq 10"$ and above have additional T-slots

A [in]	Taper Size	B [in]	E [in]	F [in]	No. of bolts	G		J [in]	L [in]	Weight [lbs]
						4314	4315			
7.87	4	3.15	1.97	3.25	4	7/16-14	M10	1.59	1.83	37.48
7.87	5	3.15	1.97	4.13	4	7/16-14	M10	1.59	1.83	37.48
7.87	6	3.15	1.97	5.25	4	1/2-13	M12	1.59	1.83	37.48
9.84	4	3.35	2.56	3.25	8	7/16-14	M10	1.59	2.38	56.22
9.84	5	3.35	2.56	4.13	8	7/16-14	M10	1.59	2.38	56.22
9.84	6	3.35	2.56	5.25	4	1/2-13	M12	1.59	2.38	56.22
9.84	8	3.35	2.56	6.75	4	5/8-11	M16	1.59	2.38	56.22
12.40	5	3.74	3.15	4.13	4	7/16-14	M10	1.96	2.40	88.18
12.40	6	3.74	3.15	5.25	8	1/2-13	M12	1.96	2.40	88.18
12.40	8	3.74	3.15	6.75	4	5/8-11	M16	1.96	2.40	88.18
15.75	6	4.13	3.94	5.25	8	1/2-13	M12	1.96	2.85	143.30
15.75	8	4.13	3.94	6.75	4	5/8-11	M16	1.96	2.85	143.30
15.75	11	4.13	3.94	9.25	4	3/4-10	M20	1.96	2.85	143.30
19.69	6	4.72	3.94	5.25	4	1/2-13	M12	2.35	3.85	251.33
19.69	8	4.72	4.92	6.75	8	5/8-11	M16	2.35	3.85	251.33
19.69	11	4.72	4.92	9.25	8	3/4-10	M20	2.35	3.85	251.33
19.69	15	4.72	4.92	13.00	4	7/8-9	M24	2.35	3.85	251.33
24.80	8	5.51	4.92	6.75	8	5/8-11	M16	2.35	3.85	363.76
24.80	11	5.51	6.30	9.25	8	3/4-10	M20	2.35	3.85	363.76
24.80	15	5.51	6.30	13.00	4	7/8-9	M24	2.35	3.85	363.76

Larger diameters available on page 82-93!

4315



Standard accessories



1 Set of hard top jaws



1 Set of hard master jaws



1 Wrench

Spare parts 99-141

Technical data 142-148

Type	Code No.
4315-8"-4	7-851-08262
4315-8"-5	7-851-08152
4315-8"-6	7-851-08162
4315-10"-4	7-851-10242
4315-10"-5	7-851-10252
4315-10"-6	7-851-10162
4315-10"-8	7-851-10182
4315-12"-5	7-851-12152
4315-12"-6	7-851-12262
4315-12"-8	7-851-12182
4315-16"-6	7-851-16262
4315-16"-8	7-851-16282
4315-16"-11	7-851-16192
4315-20"-6	7-851-20162
4315-20"-8	7-851-20282
4315-20"-11	7-851-20192
4315-20"-15	7-851-20392
4315-25"-8	7-851-25282
4315-25"-11	7-851-25192
4315-25"-15	7-851-25392

4314
4315



Type of mounting



Material of chuck body



Number of jaws



Type of jaws