

1  
2  
3  
4  
5  
6



4344



Standard accessories



1 Set of solid reversible jaws

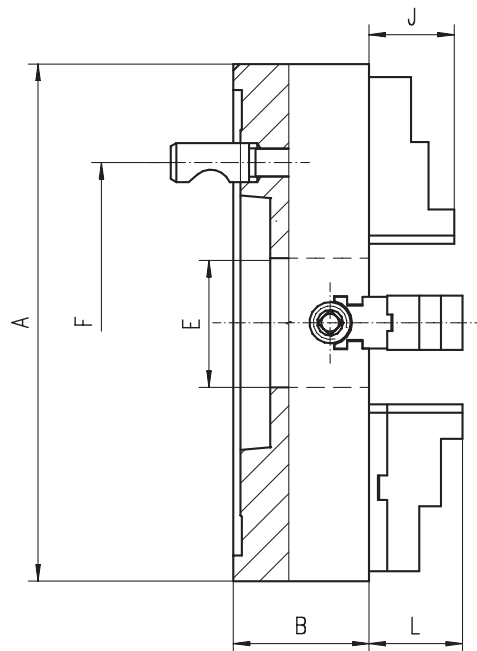


1 Wrench

Spare parts 99-141

Technical data 142-148

Code No.	Type
7-853-0833	4344-8"-3
7-853-0834	4344-8"-4
7-853-0835	4344-8"-5
7-853-0836	4344-8"-6
7-853-1033	4344-10"-3
7-853-1034	4344-10"-4
7-853-1035	4344-10"-5
7-853-1036	4344-10"-6
7-853-1038	4344-10"-8
7-853-1235	4344-12"-5
7-853-1236	4344-12"-6
7-853-1238	4344-12"-8
7-853-1239	4344-12"-11
7-853-1636	4344-16"-6
7-853-1638	4344-16"-8
7-853-1639	4344-16"-11
7-853-2038	4344-20"-8
7-853-2039	4344-20"-11
7-853-2049	4344-20"-15
7-853-2538	4344-25"-8
7-853-2539	4344-25"-11
7-853-2549	4344-25"-15

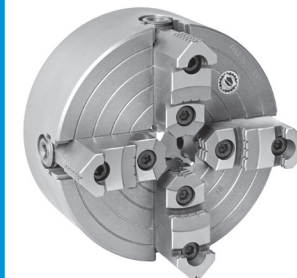


■ Chucks ø10" and above have additional T-slots

A [in]	Taper Size	B [in]	E [in]	F [in]	No. of Stud bolts	J [in]	L [in]	Weight [lbs]
7.87	3	3.15	1.97	2.78	3	1.59	1.83	36.38
7.87	4	3.15	1.97	3.25	3	1.59	1.83	36.38
7.87	5	3.15	1.97	4.13	6	1.59	1.83	36.38
7.87	6	3.15	1.97	5.25	6	1.59	1.83	36.38
9.84	3	3.35	1.97	2.78	3	1.59	2.38	60.63
9.84	4	3.35	2.36	3.25	3	1.59	2.38	60.63
9.84	5	3.35	2.56	4.13	6	1.59	2.38	60.63
9.84	6	3.35	2.56	5.25	6	1.59	2.38	60.63
9.84	8	3.35	2.56	6.75	6	1.59	2.38	60.63
12.40	5	3.74	3.15	4.13	6	1.96	2.40	87.08
12.40	6	3.74	3.15	5.25	6	1.96	2.40	87.08
12.40	8	3.74	3.15	6.75	6	1.96	2.40	87.08
12.40	11	3.74	3.15	9.25	6	1.96	2.40	87.08
15.75	6	4.13	3.94	5.25	6	1.96	2.85	132.28
15.75	8	4.13	3.94	6.75	6	1.96	2.85	132.28
15.75	11	4.13	3.94	9.25	6	1.96	2.85	132.28
19.69	8	4.72	4.92	6.75	6	2.35	3.85	210.54
19.69	11	4.72	4.92	9.25	6	2.35	3.85	210.54
19.69	15	4.72	4.92	13.00	6	2.35	3.85	210.54
24.80	8	5.51	4.92	6.75	6	2.35	3.85	363.76
24.80	11	5.51	6.30	9.25	6	2.35	3.85	363.76
24.80	15	5.51	6.30	13.00	6	2.35	3.85	363.76

Larger diameters available on page 82-93!

4345



Standard accessories



1 Set of hard top jaws



1 Set of hard master jaws



1 Wrench

Spare parts 99-141

Technical data 142-148

Type	Code No.
4345-8"-3	7-853-08332
4345-8"-4	7-853-08342
4345-8"-5	7-853-08352
4345-8"-6	7-853-08362
4345-10"-3	7-853-10332
4345-10"-4	7-853-10342
4345-10"-5	7-853-10352
4345-10"-6	7-853-10362
4345-10"-8	7-853-10382
4345-12"-5	7-853-12352
4345-12"-6	7-853-12362
4345-12"-8	7-853-12382
4345-12"-11	7-853-12392
4345-16"-6	7-853-16362
4345-16"-8	7-853-16382
4345-16"-11	7-853-16392
4345-20"-8	7-853-20382
4345-20"-11	7-853-20392
4345-20"-15	7-853-20492
4345-25"-8	7-853-25382
4345-25"-11	7-853-25392
4345-25"-15	7-853-25492



Type of mounting



Material of chuck body



Number of jaws



Type of jaws