

DRO & FEEDBACK PRODUCT DATA SHEET

Encoder Cable: EC-...P-D

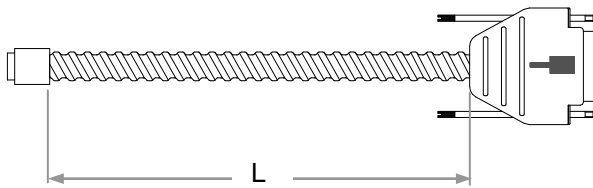
- Available in lengths of 1, 3, 4, 6, 8, 9, 10 & 12 metres.
- To connect TTL differential and 1Vpp encoders to Fagor DRO, CNC and drives.
- Single shield for noise protection
- Available with or without armour



Pin out

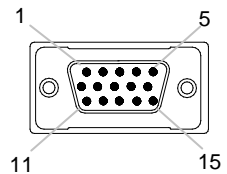
A	1	Green
/A	2	Yellow
B	3	Blue
/B	4	Red
Io	5	Grey
/Io	6	Pink
+5v	9	Brown
0v	11	White
Shield	15 / Casing	Pink / Shield

Cable Diagram



L = 1, 3, 6, 9 & 12 metres, with or without armour

Pin Layout

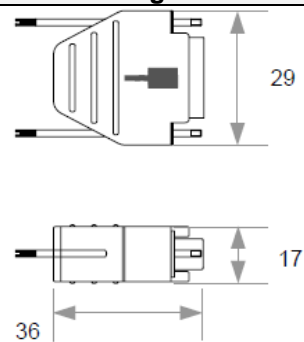


Front view (pin side)

Cable specification

Construction	4 x 2 x 0.14 mm ²
Material	Polyurethane
Ø with armour	10mm
Bend radius dynamic	≥ 75mm
Bend radius static	≥ 35mm
Ø without armour	6mm
Bend radius dynamic	≥ 75mm
Bend radius static	≥ 35mm
Shield	Single
Terminating connector	SubD HD 15 male

Terminating Connector



Order information

EC-xxP-D-x	Where xx = 1, 2, 3, 6, 9 or 12 metres. Where x is "blank" (armour) or "N" (no armour)
Example	
Order code	Description
EC-3P-D-N	3 metre EC-P-D cable without armour
EC-9P-D	9 metre EC-P-D cable with armour