

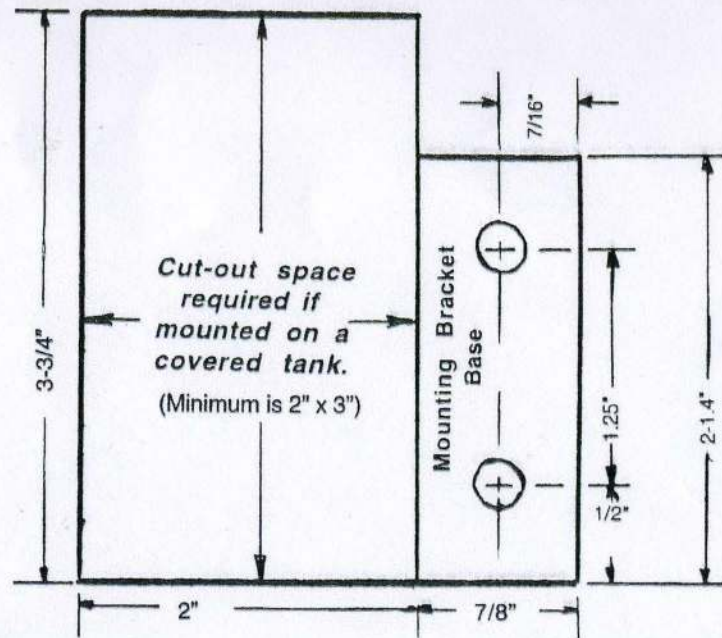
WIDTH FACING DRIVE PULLEY IS 3-1/4"

### BELT LENGTH

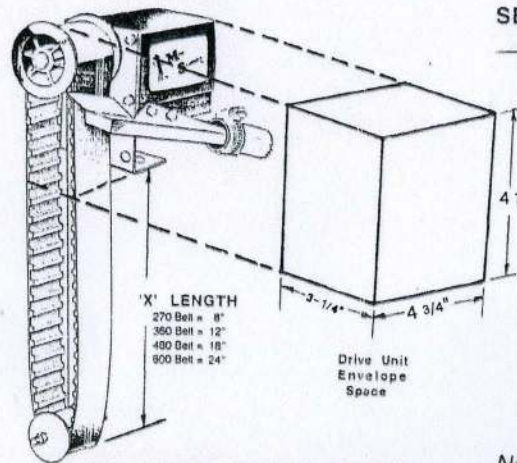
"X" length indicates the distance from the mounting bracket base to the lowest point. Lineal length is the belt circumference.

Belt#	"X"	Lineal
270	8"	27"
360	12"	36"
480	18"	48"
600	24"	60"

Above belts are standard lengths.



SEE HOW LITTLE SPACE IS NEEDED!



**MINI SKIMMERS™**



Not to be reproduced without permission

**WAYNE PRODUCTS**

**Dimensions**

**Mini-Skimmers™**

DRAWN BY: RLS

A-32-B